



Curtain Databook 2023

Version 19 – September 2023

somfy[®]

Summary

Part 1

Somfy Curtain Motor Solutions

- Key product features
- Technical Specifications
- Drapery Track Interface Drawings
- Curtain Track Accessories – Dimensions

Part 2

Application Perimeter

- Traversing Capacity
- Bending Measurement Guidelines
- Somfy Curtain Actuators Selection Charts

Part 3

Control Options & Wiring

- AC Control with AC Switching
- AC Control with DCT Switching
- DCT Control with DCT Switching
- AC & DC Tandem Wiring
- Summary of warnings and considerations

Part 4

Installation & Setting Instruction

- [Link to installation guide for](#)
- [Converting a WT curtain motor to a DCT curtain motor](#)
- [Upside down mounting \(top mounting\) instructions](#)

Part 5

Curtain Components & Accessories

- [Curtain Components & Accessories List](#)
- [Curtain Components & Accessory Reference Comparison Chart \(Glydea Silent vs Glydea Heavy Duty Vs Glydea Black Accessories\)](#)

Somfy

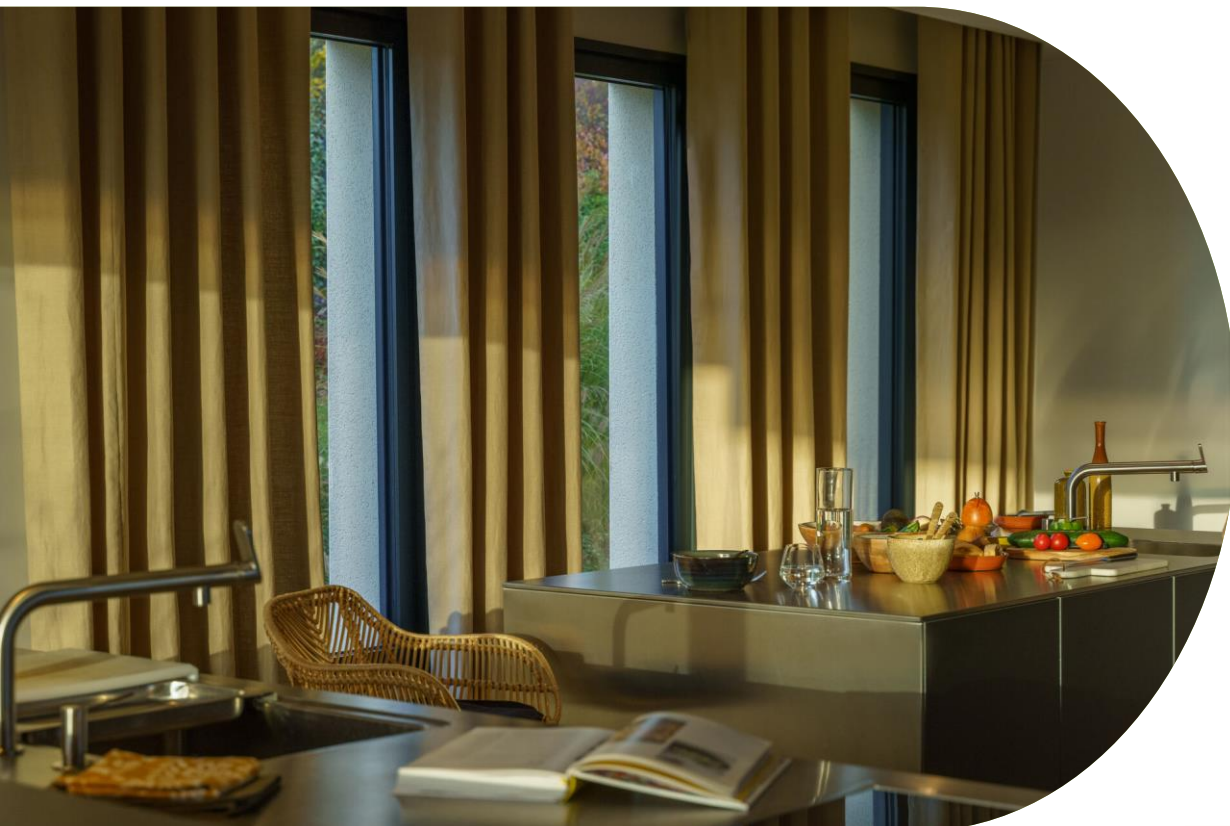
Curtain Motor Solutions

The premium curtain motor solution guaranteeing an effortless, whisper quiet motion:

- Glydea Ultra 35e RTS
- Glydea Ultra 60e RTS
- Glydea Ultra 35e WT
- Glydea Ultra 60e WT

An accessible and elegant curtain motorisation solution with the essential features

- Movelite 35 RTS
- Movelite 35 WT
- Movelite 35 RTS WireFree



The premium curtain motor solution guaranteeing an effortless, whisper quiet motion

PRODUCT MAIN FUNCTIONALITIES



RECOMMENDED TO SET WITH:
Universal test lead
(ref. 9015971)



Designed for Silence
Silent mode & silent accessories



Available in multiple technologies
RTS, DCT, WT & bi-directional technology with RS485 module.



Adjustable Speed
5 Speeds available



Soft start & soft stop
(RTS & DCT)



Tandem Operation
Available for WT & DCT motors



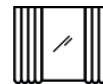
Adjustable end Limits
(RTS & DCT)



Touch Motion
(RTS & DCT)



Open, Close, Stop & My Position
(RTS & DCT)



Compatible with 1-way and 2-way openings



Compatible with Connexoon Window RTS for App & voice control (Movelite RTS)



Compatible with Glydea Track & Accessories



Movelite 35
Curtain Motor

An accessible and elegant curtain motorisation solution with the essential features

PRODUCT MAIN FUNCTIONALITIES



RECOMMENDED TO SET WITH:
Universal test lead
(ref. 9015971)



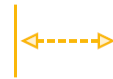
Available in multiple technologies
RTS, WT, DCT*



Touch Motion
(RTS & DCT)



Automatic end Limits



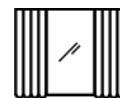
Adjustable end Limits (RTS & DCT)

Manual Override

Manual operation in case of power failure



Open, Close, Stop & My Position
(RTS & DCT)



Compatible with 1-way and 2-way openings



Compatible with Connexoon Window RTS for App & voice control (Movelite RTS)



Compatible with Glydea Track & Accessories


Movelite WireFree RTS
Curtain Motor


The WireFree curtain motor solution offering all the essential features; suitable for all projects


PRODUCT MAIN FUNCTIONALITIES





5
YEARS
WARRANTY

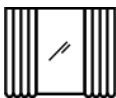
- 


WireFree
For simpler installation
- 

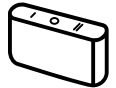
Touch Motion
- 

Automatic & Adjustable end Limits
- 

Manual operation in case of power failure
- 

Open, Close, Stop & My Position
- 

Compatible with 1-way and 2-way openings
- 

Compatible with Connexoon Window RTS for App & voice control
- 

Compatible with TaHoma switch for App & voice control
- 

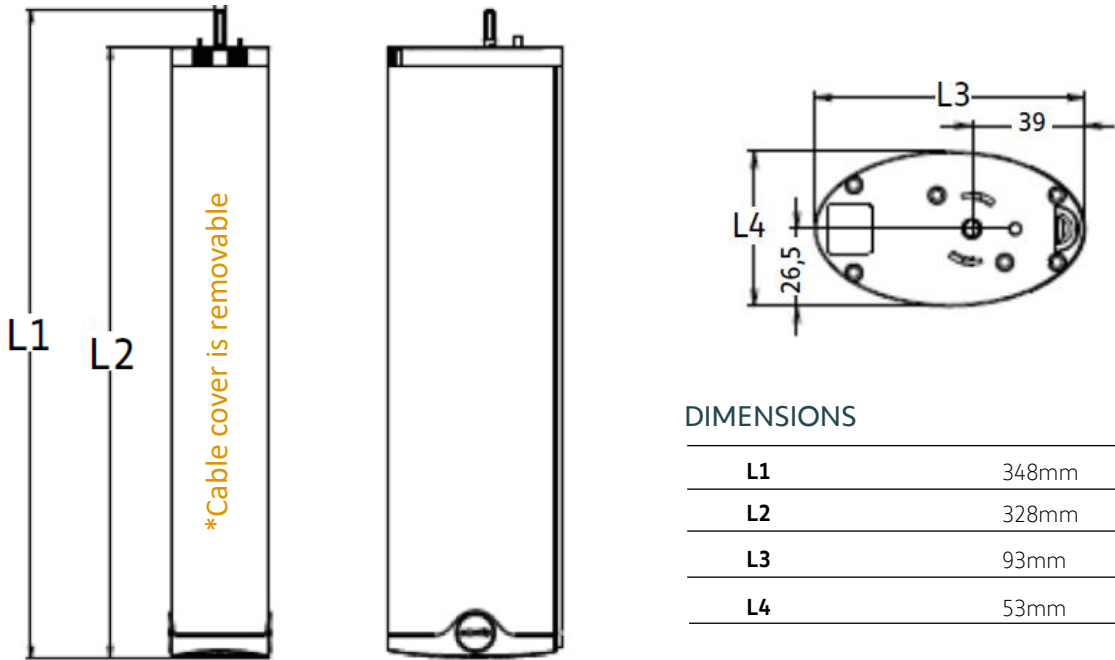
Compatible with Glydea Track & Accessories

Product Performance & Technical Information

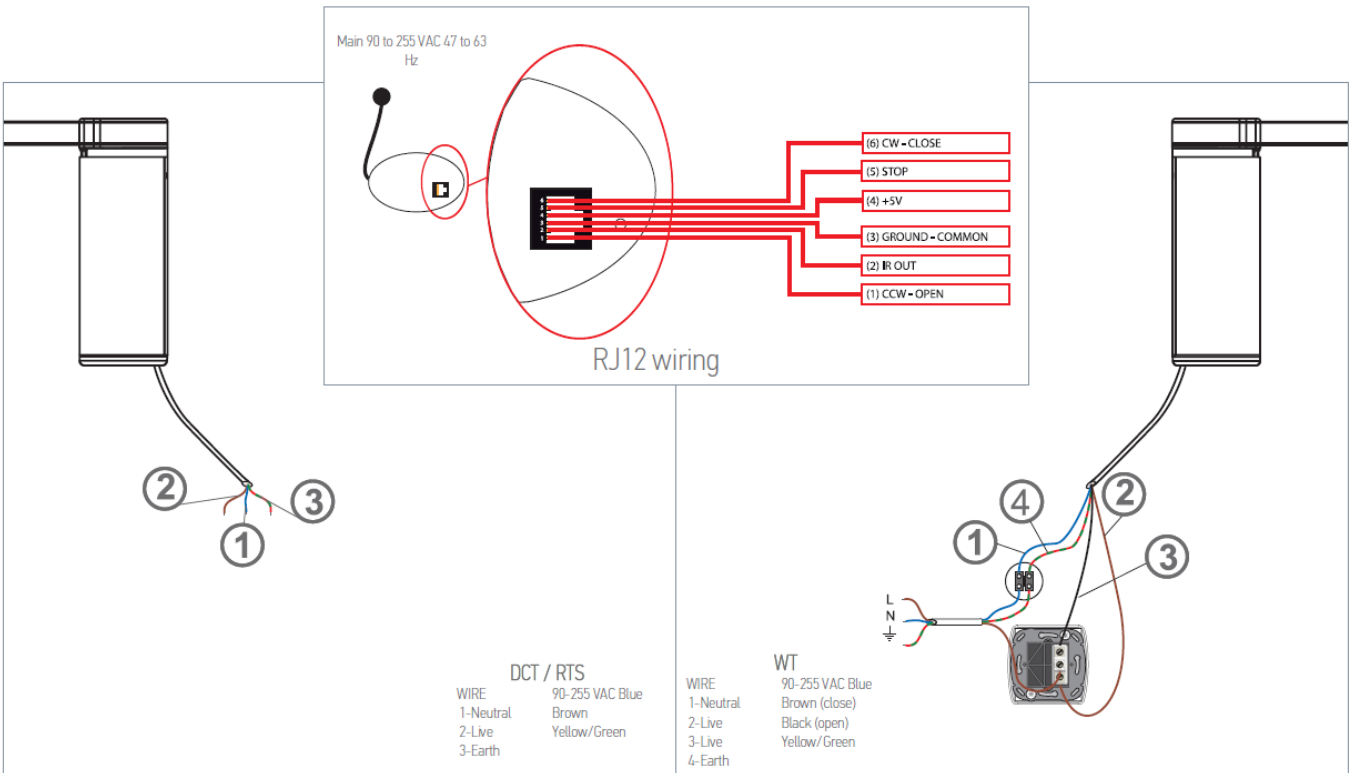
	GLYDEA ULTRA 35e/60e RTS		GLYDEA ULTRA 35e/60e WT*	
MAXIMUM CURTAIN WEIGHT	35kg	60kg	35kg	60kg
NOMINAL TORQUE (Nm)	0.6	1.0	0.6	1.0
LINEAR SPEED (CM/S)	7.5 (silent mode), 12.5, 15(default speed), 17.5, 20			
SOUND LEVEL (dBA)	29.8, 37.3, 39.7, 43.4, 45.2			
VOLTAGE (AC)	90 - 255			
MAX CURRENT (A)	0.4 (at 240V)			
THERMAL TIME (MINS)	2.5			
SUPPLY	AC			
INDEX PROTECTION RATING	IP30			
LIMIT SWITCH UNIT	Electronic			
TEMPERATURE WORKING RANGE	0°C to +60°C			
ELECTRIC INSULATION	Class I			
RADIO FREQUENCY (MHz)	433.42		Not Applicable	
ADJUSTABLE LIMITS	Yes		WT: No DCT: Yes	
TOUCH MOTION	Yes		WT: No DCT: Yes	
SOFT START, SOFT STOP	Yes		WT: No DCT: Yes	
COMPATIBLE WITH GLYDEA RS485 MODULE [1870275]	Yes		WT: No DCT: Yes	
TANDEM OPERATION AVAILABLE	Not Applicable		Yes	
MAX TRACK LENGTH (m)	10	12	10	12
ITEM NUMBER WITHOUT INLINE CONNECTOR	1240227	1240230	1240219	1240228
ITEM NUMBER WITH INLINE CONNECTOR	1241032	1241035	1241030	1241033
COMPATIBLE WITH GLYDEA ULTRA TRACK & ACCESSORIES	Yes			
OPTION TO CHANGE THE CABLE OUTPUT DIRECTION	Yes			
DEDICATED RTS WALL MOUNTS FOR CURTAIN	Smooove 1 Open/Close Black RTS [1811009] Smooove 1 Open/Close White RTS [1811011] [Frame not included; Frame sold separately]			
WARRANTY	5 Years			

*Capable of converting to Somfy DCT technology. Refer to DCT conversion wiring diagram

Glydea Ultra Interface Drawing



Glydea Ultra Wiring Diagram



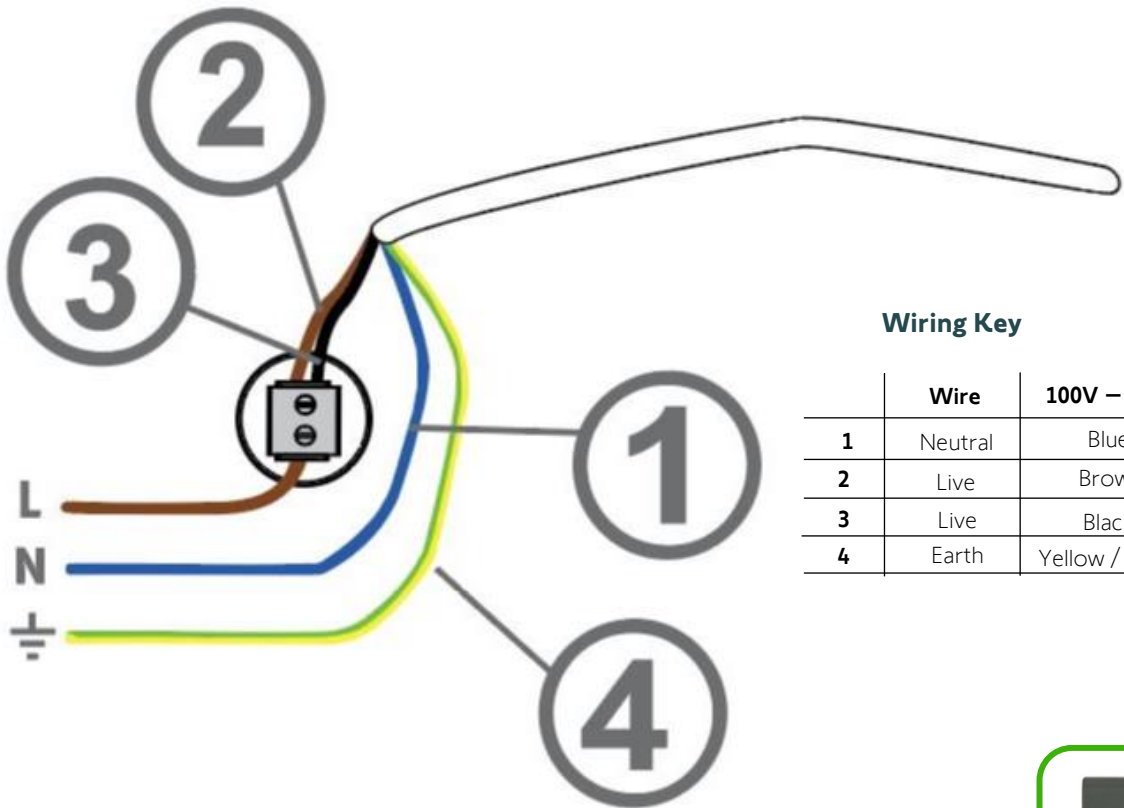
Converting Glydea Ultra WT to a Glydea Ultra DCT

Conversion Instructions

WT Motors (AC Switching):

You can switch from a WT Control mode (AC Switching) to Dry Contact Switching (DCT), by Connecting the Black and Brown Wires permanently to live

Conversion Wiring Diagram



Wiring Key

	Wire	100V – 240V
1	Neutral	Blue
2	Live	Brown
3	Live	Black
4	Earth	Yellow / Green

NOTE: Once the conversion to DCT is complete. A **DCT setting tool (Ref # 9014599)** is required to complete the control settings (i.e: Set limits, control and reset). **Data cable sold separately (9015443).**



Once converted to a DCT motor, the motor can only be reset using the DCT Setting tool [9014599]. Refer to Glydea DCT manual for further information and instructions.



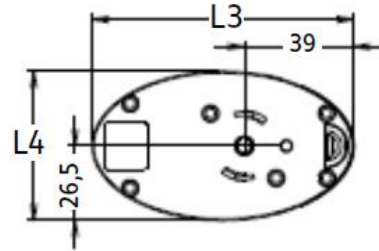
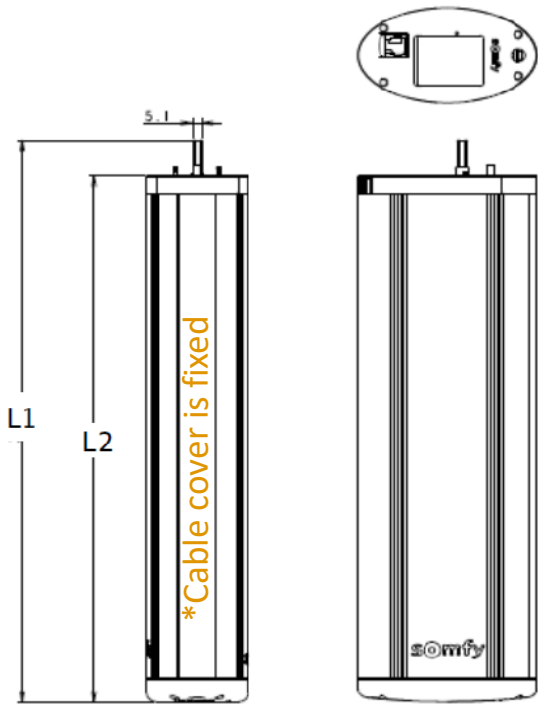
Converting Glydea Ultra WT motor to Glydea Ultra DCT motor must only be undertaken by a qualified electrician. For further information, please contact the Somfy Technical Support Team

Product Performance & Technical Information

	MOVELITE 35 RTS	MOVELITE 35 WT*
MAXIMUM CURTAIN WEIGHT	35kg	
NOMINAL TORQUE (Nm)	0.6	
LINEAR SPEED (CM/S)	15	
SOUND LEVEL (dBA)	41	
VOLTAGE (AC)	90 - 250	
MAX CURRENT (A)	0.3 (at 240V)	
THERMAL TIME (MINS)	2.5	
SUPPLY	AC	
INDEX PROTECTION RATING	IP30	
LIMIT SWITCH UNIT	Electronic	
TEMPERATURE WORKING RANGE	0°C to +60°C	
ELECTRIC INSULATION	Class I	
RADIO FREQUENCY (MHz)	433.42	Not Applicable
ADJUSTABLE LIMITS	Yes	WT: No DCT: Yes
TOUCH MOTION	Yes	WT: No DCT: Yes
SOFT START, SOFT STOP	No	
COMPATIBLE WITH GLYDEA RS485 MODULE [1870275]	No	
TANDEM OPERATION AVAILABLE	Not Applicable	No
MAX TRACK LENGTH (m)	10	
ITEM NUMBER WITHOUT INLINE CONNECTOR	1240239	1240237
ITEM NUMBER WITH INLINE CONNECTOR	1245732	1245733
COMPATIBLE WITH GLYDEA ULTRA TRACK & ACCESSORIES	Yes	
OPTION TO CHANGE THE CABLE OUTPUT DIRECTION	No	
DEDICATED RTS WALL MOUNTS FOR CURTAIN	Smooove 1 Open/Close Black RTS [1811009] Smooove 1 Open/Close White RTS [1811011] [Frame not included; Frame sold separately]	
WARRANTY	5 Years	

*Capable of converting to Somfy DCT technology. Refer to DCT conversion wiring diagram

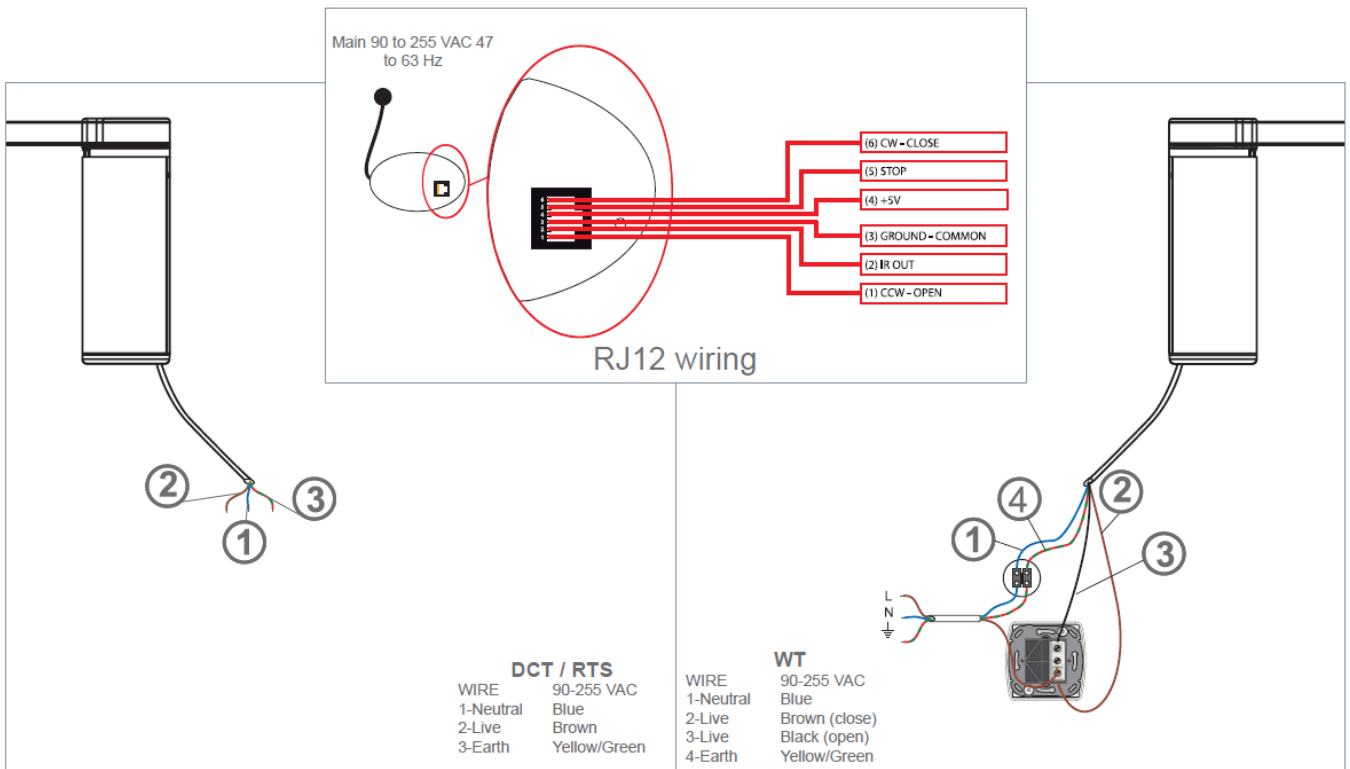
Movelite 35 Interface Drawing



Dimensions

L1	283mm
L2	263mm
L3	93mm
L4	53mm

Movelite 35 Wiring Diagram



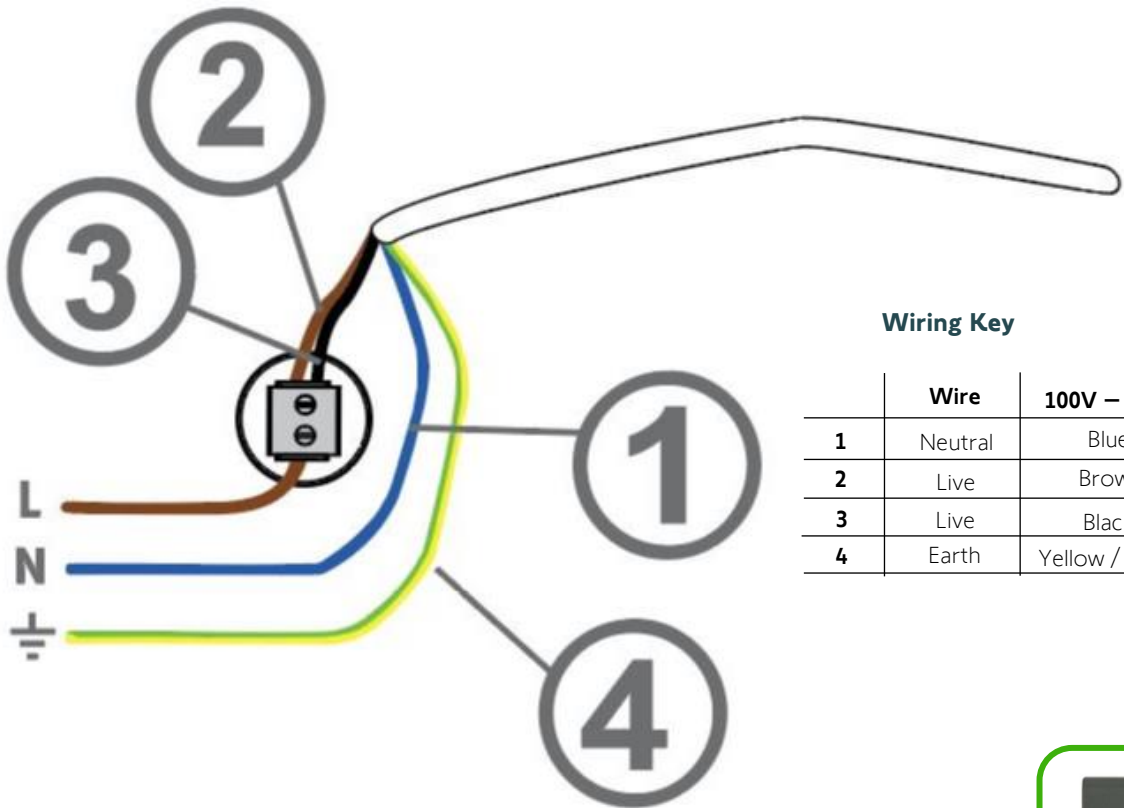
Converting Movelite WT to Movelite DCT

Conversion Instructions

WT Motors (AC Switching):

You can switch from a WT Control mode (AC Switching) to Dry Contact Switching (DCT), by Connecting the Black and Brown Wires permanently to live

Conversion Wiring Diagram



Wiring Key

	Wire	100V – 240V
1	Neutral	Blue
2	Live	Brown
3	Live	Black
4	Earth	Yellow / Green

NOTE: Once the conversion to DCT is complete. A **DCT setting tool** [Ref # 9014599] is required to complete the control settings (ie: Set limits, control and reset). **Data cable sold separately** [9015443].



Once converted to a DCT motor, the motor can only be reset using the DCT Setting tool [9014599]. Refer to Movelite DCT manual for further information and instructions.

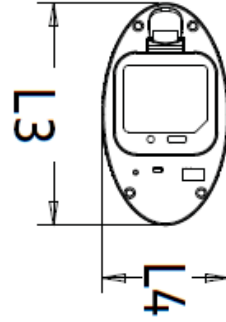
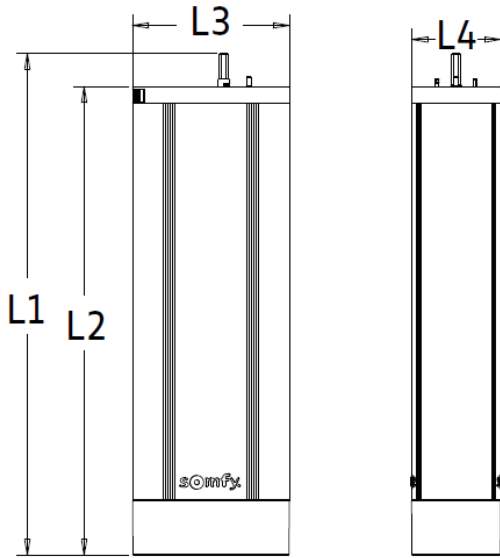


Converting a Movelite WT motor to Movelite DCT motor must only be undertaken by a qualified electrician. For further information, please contact the Somfy Technical Support Team.

Product Performance & Technical Information

	MOVELITE 35 WIREFREE RTS
MAXIMUM CURTAIN WEIGHT	35kg
NOMINAL TORQUE (Nm)	0.6
LINEAR SPEED (CM/S)	15
SOUND LEVEL (dBA)	41
VOLTAGE (V)	14.8
THERMAL TIME (MINS)	2.5
SUPPLY	DC
INDEX PROTECTION RATING	IP30
LIMIT SWITCH UNIT	Electronic
TEMPERATURE WORKING RANGE	0°C to +60°C
ELECTRIC INSULATION	Class III
RADIO FREQUENCY (MHZ)	433.42
CHARGING CABLE	3M USB White charging cable included in motor box
ADJUSTABLE LIMITS	Yes
TOUCH MOTION	Yes
SOFT START, SOFT STOP	No
COMPATIBLE WITH GLYDEA RS485 MODULE [1870275]	No
TANDEM OPERATION AVAILABLE	Not Applicable
MAX TRACK LENGTH (m)	6 (Compatible with straight & curved tracks)
ITEM NUMBER (INCLUDES BATTERY)	1241139
AU PLUG ITEM NUMBER (EXCLUDES 3M CABLE)	9028483 (Sold Separately)
COMPATIBLE WITH GLYDEA ULTRA TRACK & ACCESSORIES	Yes
BATTERY LIFE	6 Months Based on 35kg/4m straight, 2-way, 1 open and close per day
LOW BATTERY INDICATOR	LED & Beep
CHARGING TIME	6 Hours
DEDICATED RTS WALL MOUNTS FOR CURTAIN	Smooove 1 Open/Close Black RTS [1811009] Smooove 1 Open/Close White RTS [1811011] [Frame not included; Frame sold separately]
WARRANTY	5 Years

Movelite 35 Wirefree RTS Interface Drawing



Dimensions

L1	298mm
L2	278mm
L3	93mm
L4	53mm

Movelite 35 Wirefree Battery & Charging Solution

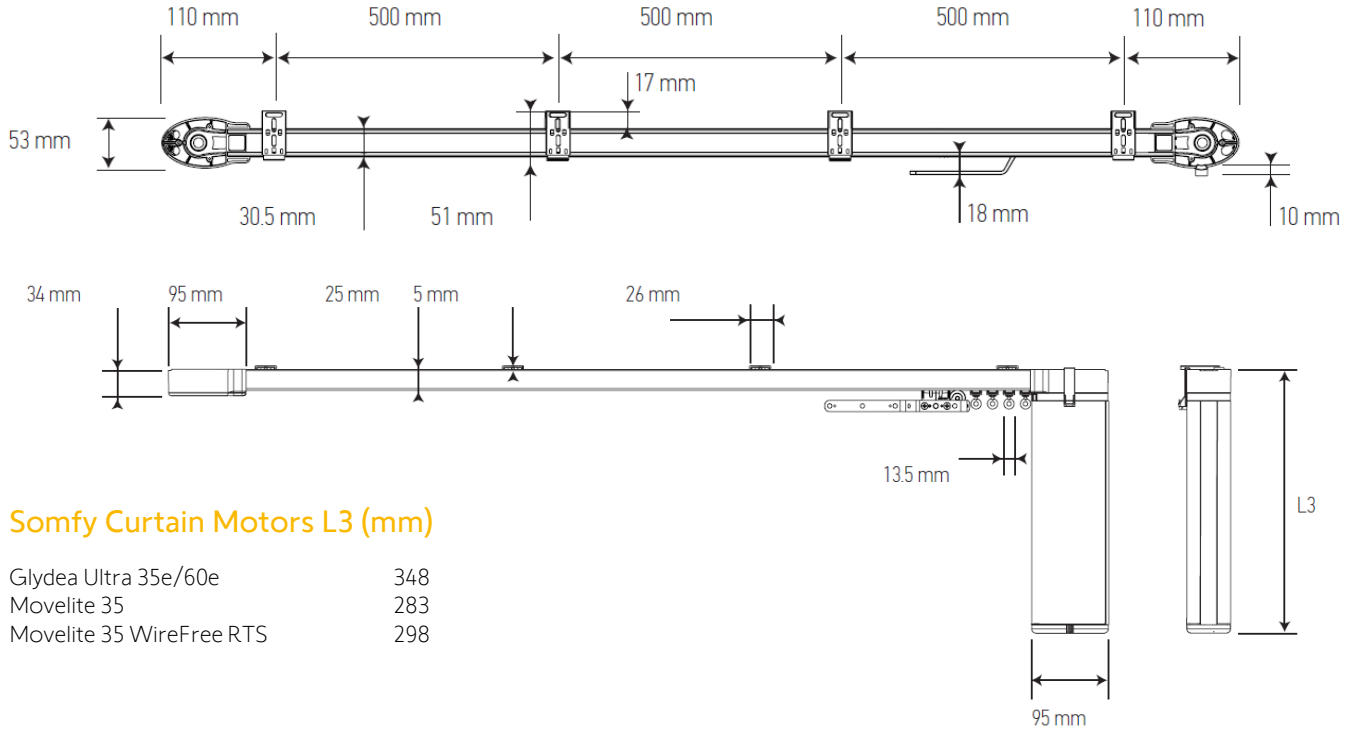
[9028483] Movelite 35 WireFree RTS AU Plug
(Sold separately)



Movelite 35 WireFree RTS Battery Pack – Included with
Movelite Motor [1241139]. Includes 3M Charging cable (AU plug
sold separately)



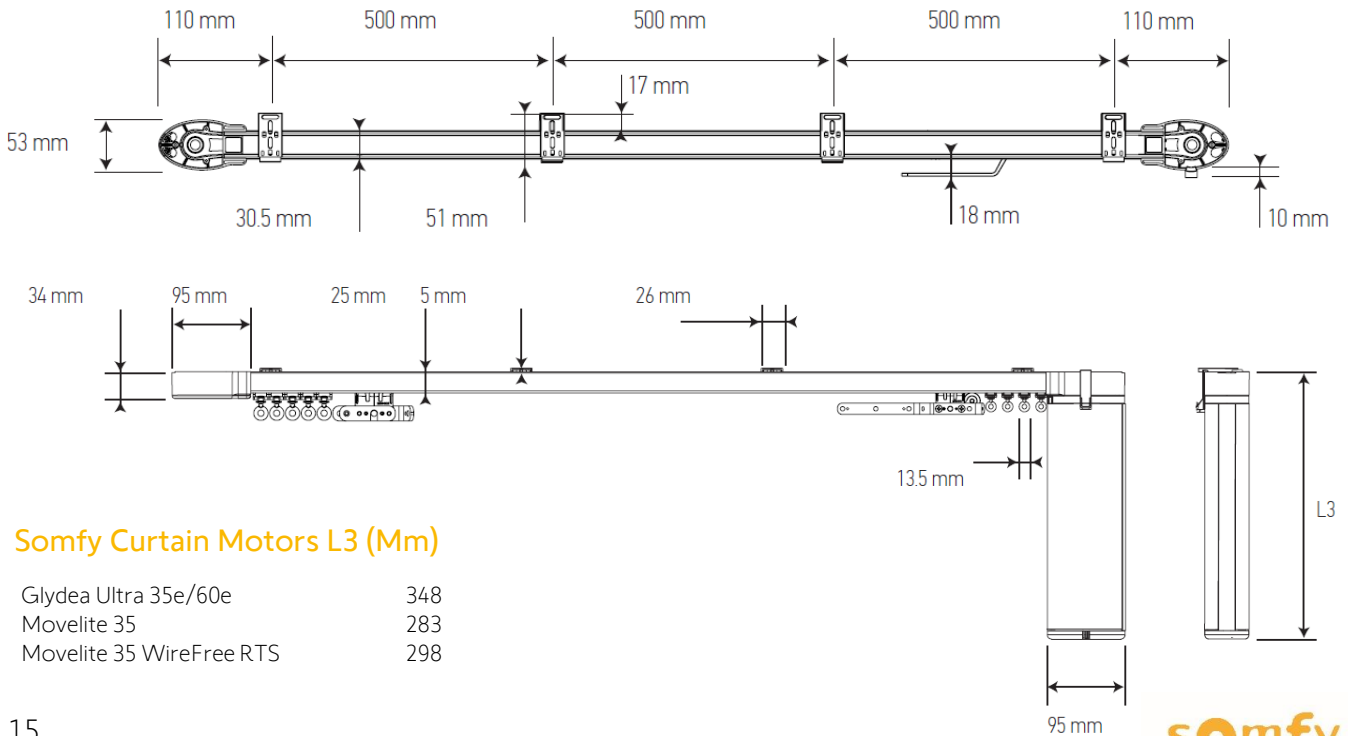
Lateral Opening with Large Pulley



Somfy Curtain Motors L3 (mm)

Glydea Ultra 35e/60e	348
Movelite 35	283
Movelite 35 WireFree RTS	298

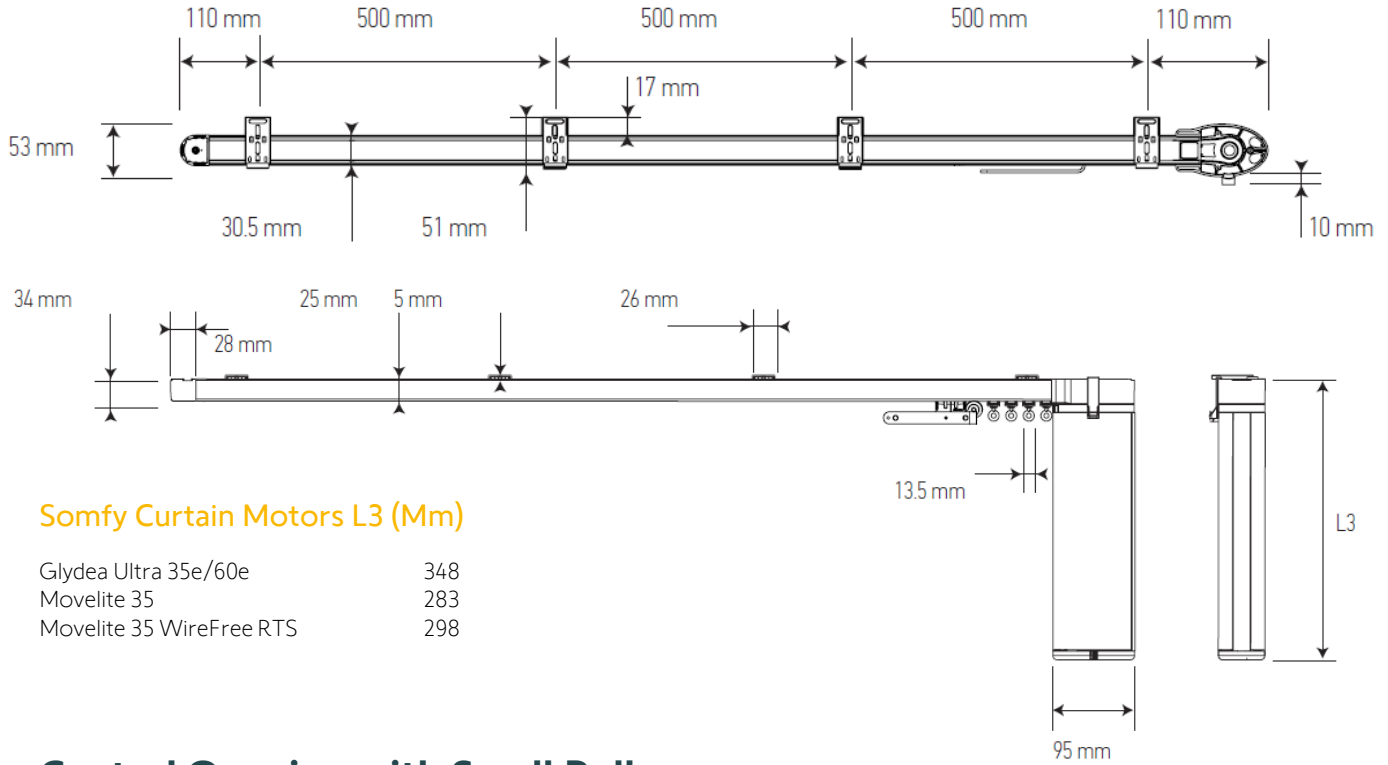
Central Opening with Large Pulley



Somfy Curtain Motors L3 (Mm)

Glydea Ultra 35e/60e	348
Movelite 35	283
Movelite 35 WireFree RTS	298

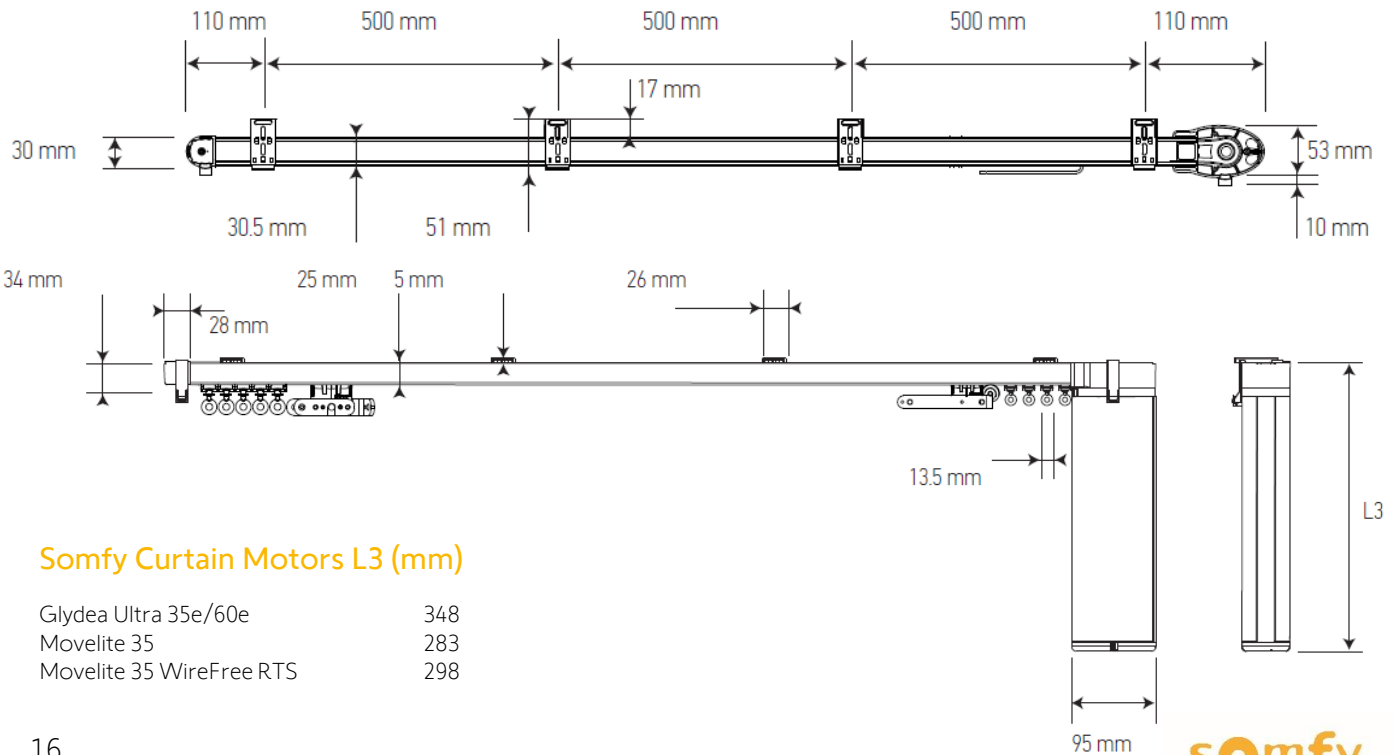
Lateral Opening with Small Pulley



Somfy Curtain Motors L3 (Mm)

Glydea Ultra 35e/60e	348
Move-lite 35	283
Move-lite 35 WireFree RTS	298

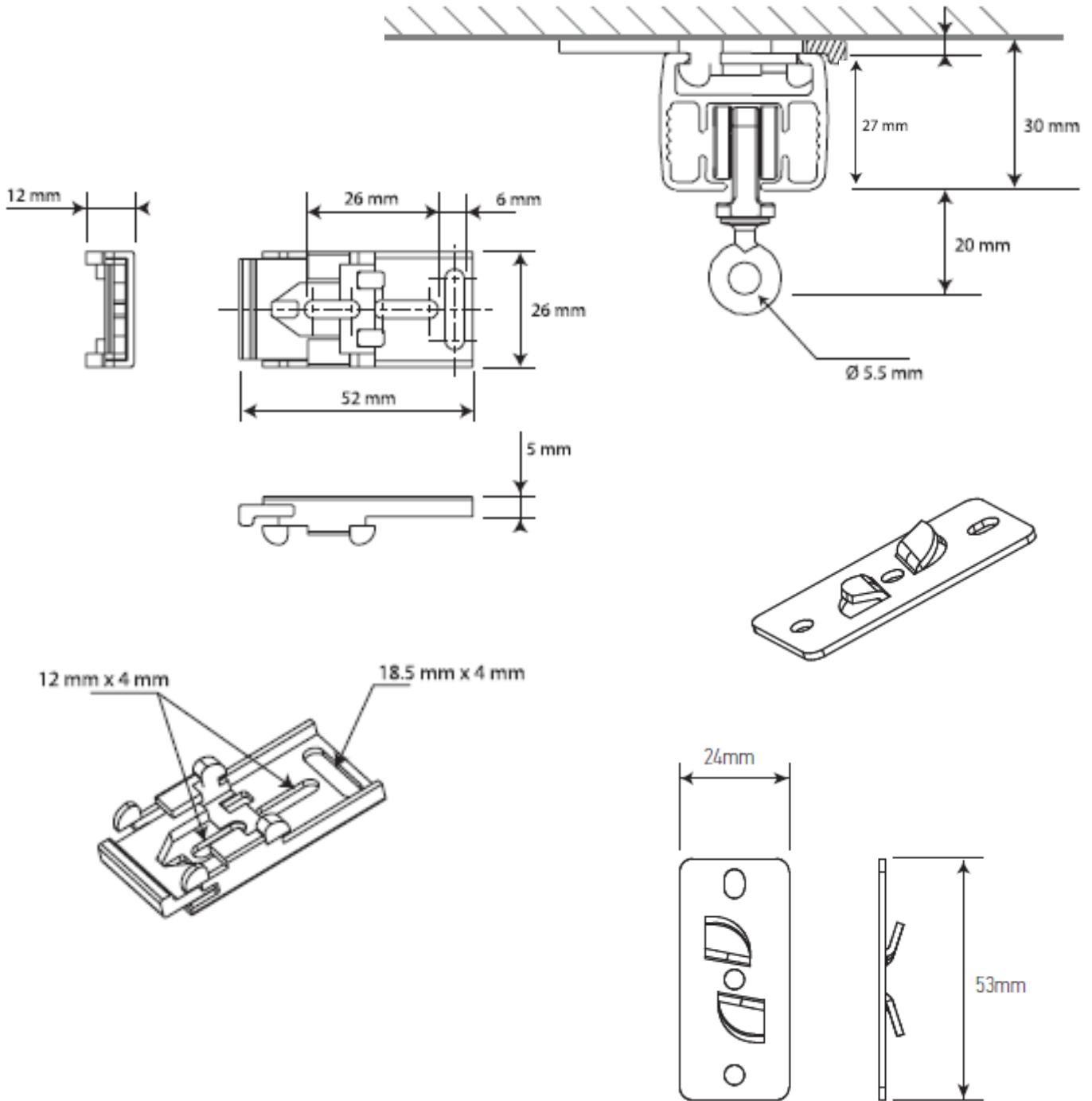
Central Opening with Small Pulley



Somfy Curtain Motors L3 (mm)

Glydea Ultra 35e/60e	348
Move-lite 35	283
Move-lite 35 WireFree RTS	298

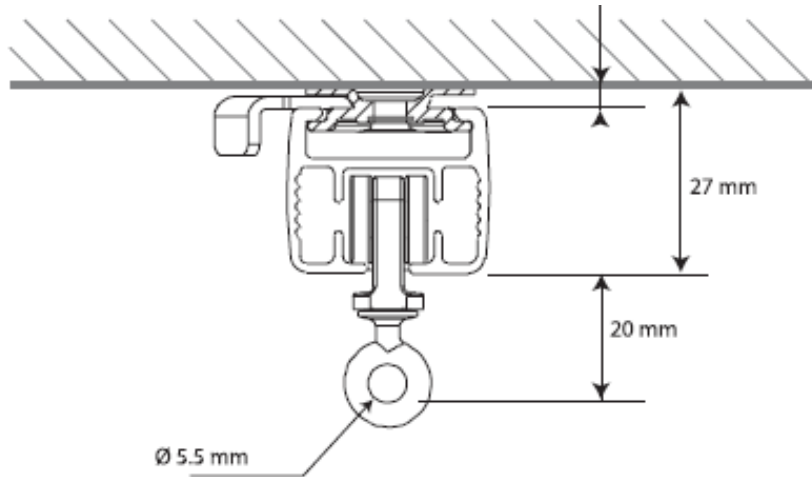
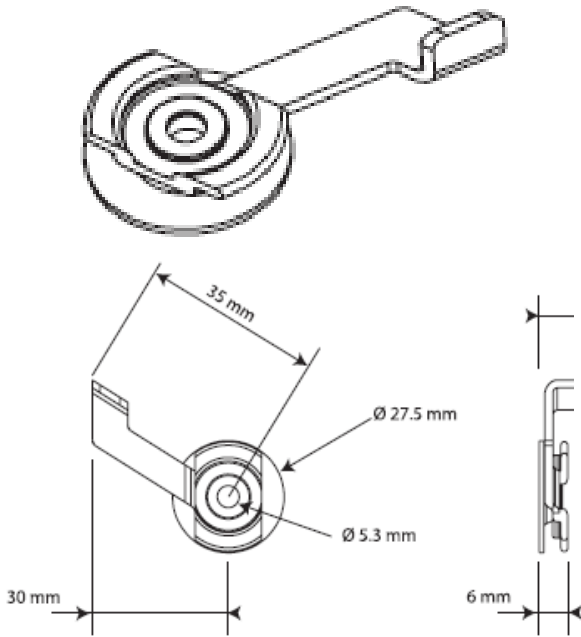
One Touch Ceiling Bracket



Item Numbers

- One Touch Ceiling Bracket White [1780907]
- One Touch Ceiling Bracket Black [9028544]

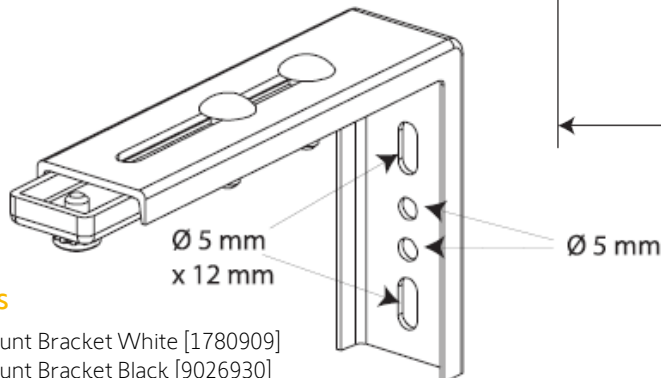
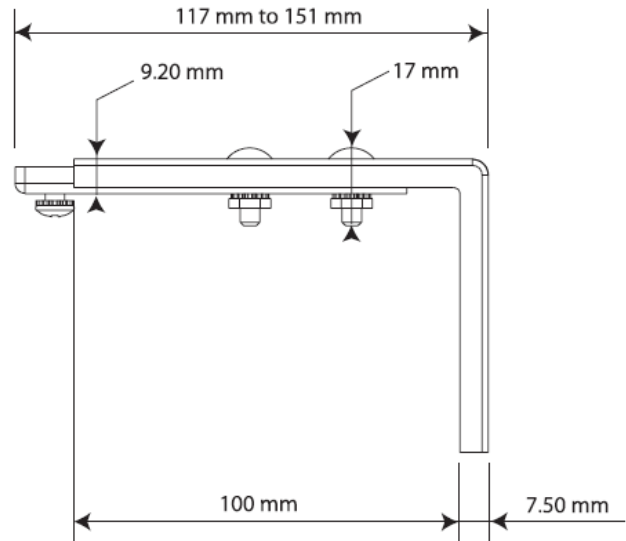
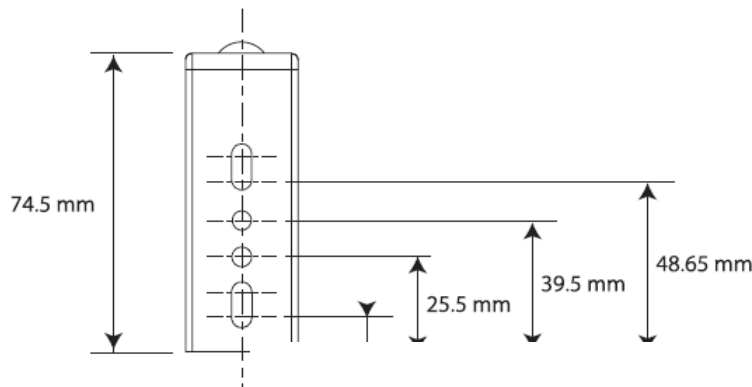
Swivel Ceiling Bracket



Item Numbers

- Swivel Ceiling Bracket White [1780906]
- Swivel Ceiling Bracket Black [9026929]

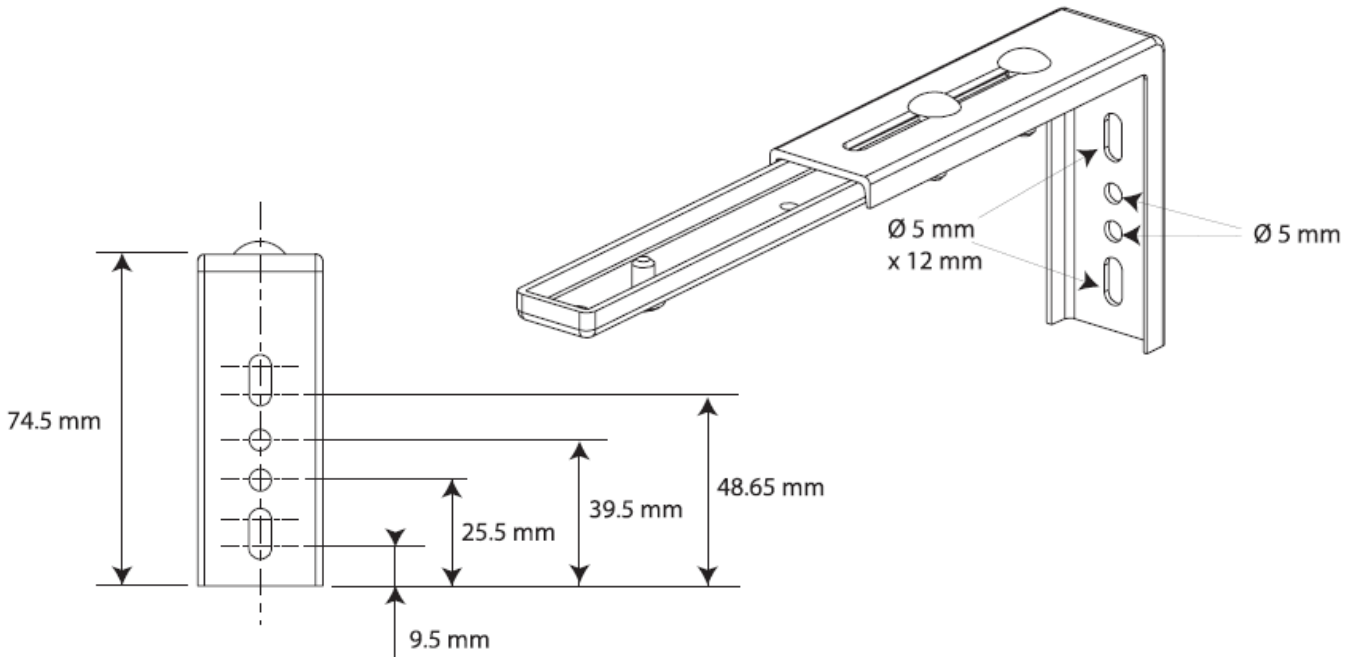
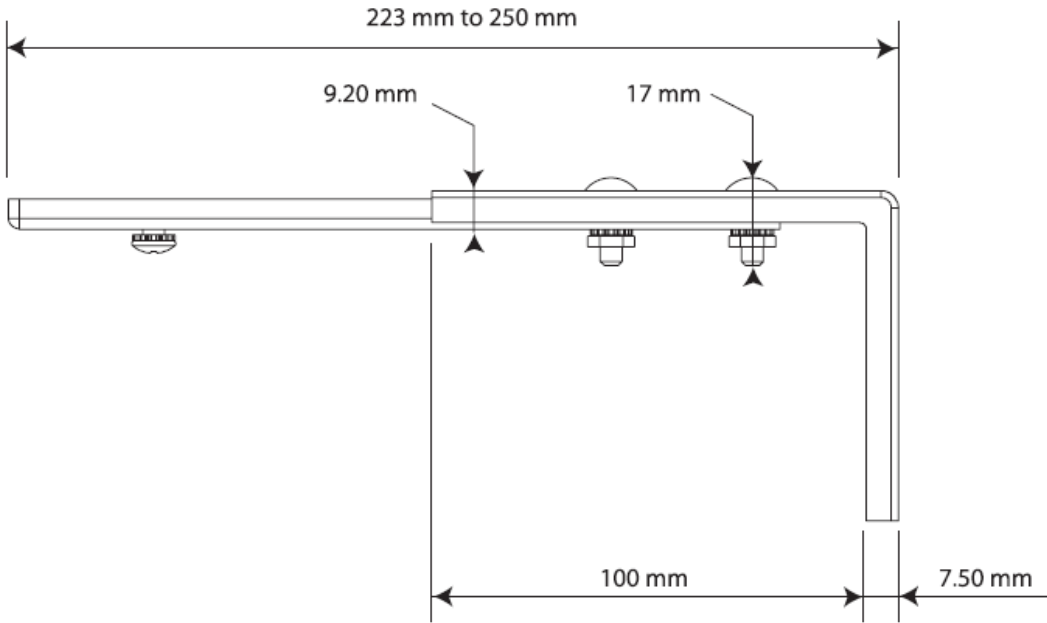
Adjustable Wall Mount Bracket



Item Numbers

- Adjustable Wall Mount Bracket White [1780909]
- Adjustable Wall Mount Bracket Black [9026930]

Double Adjustable Wall Mount Bracket



Item Number

Double Adjustable Wall Mount Bracket White [1780910]

Application

Perimeters

- Traversing Capacity
- Bending Measurement Guidelines
- Somfy Curtain Actuators Selection Charts



- There are three main factors when considering a motors load capacity
 1. The Track Opening
 2. Curtain Shape
 3. Track length
- The Somfy Curtain Motor Selection chart uses the maximum weight of a curtain (in Kg). An accurate Somfy Curtain motor selection differs between the track configurations and lengths of track
- When calculating the weight of the curtain, the fullness ratio of the curtain must be considered

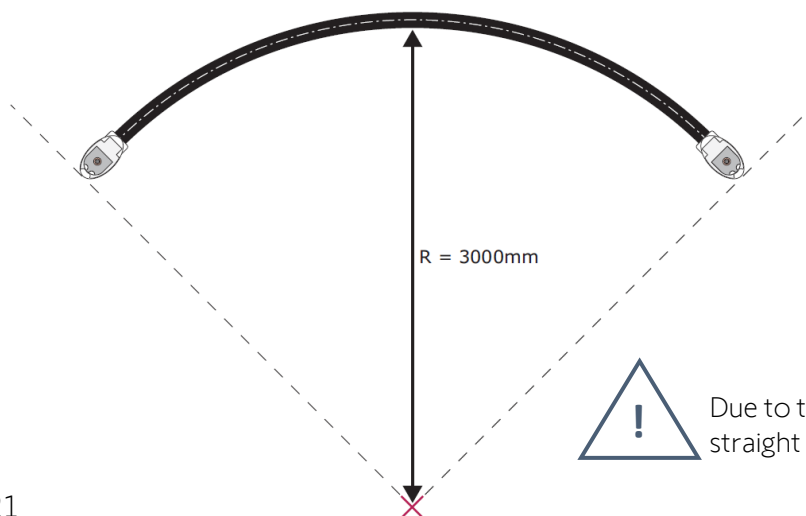
Weight of the curtain = fabric weight/m² x curtain covered area x fullness ratio

- The traversing capacity is given for an installation with no extra friction created by the fabric curtain touching the rail or the track pelmet

Bending Radius [minimum 300mm]



ARC Radius [minimum 3000mm]

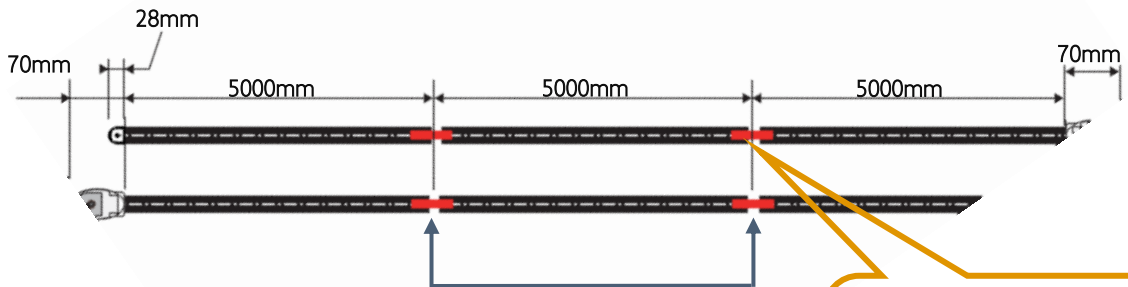
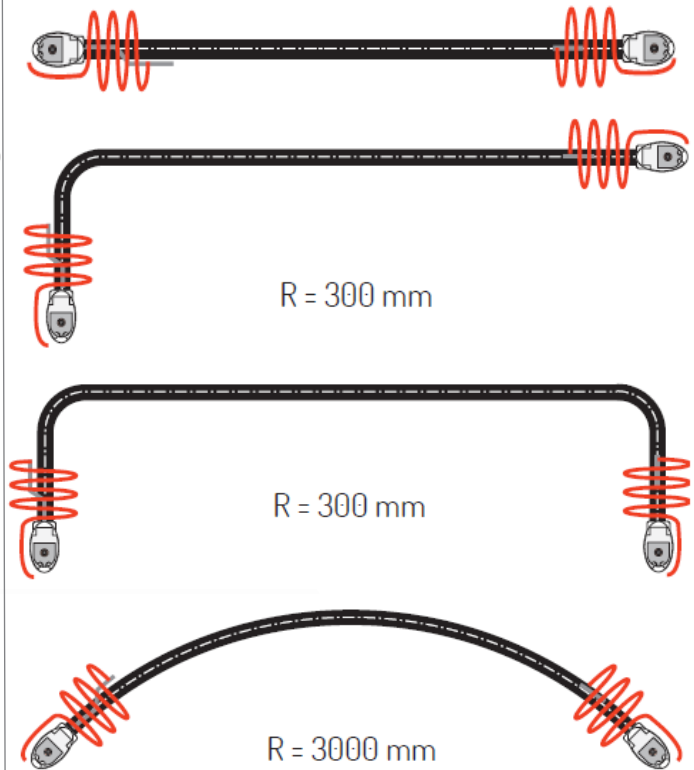
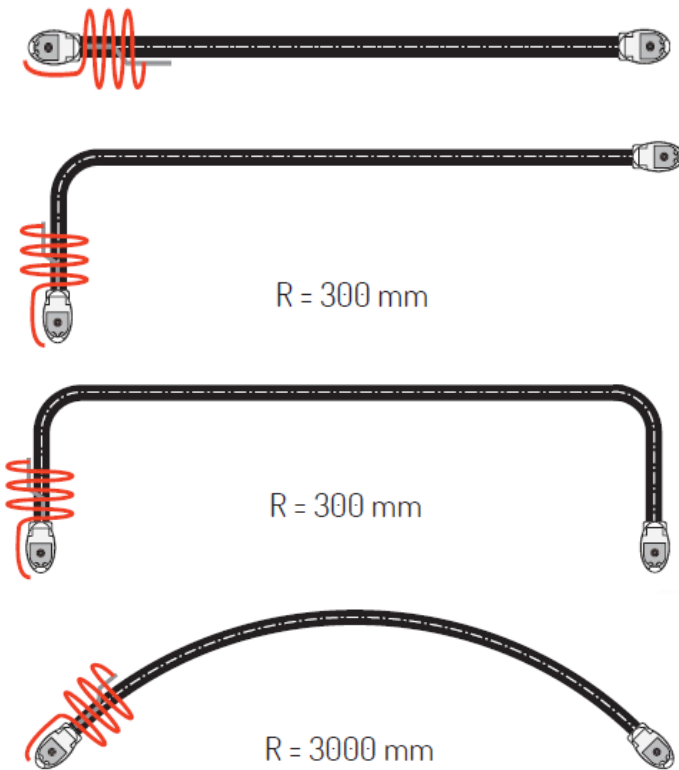


Due to the bending process 285mm of the rail still straight on the both side of the curve or the arc shape

Track Type

ONE WAY

TWO WAY

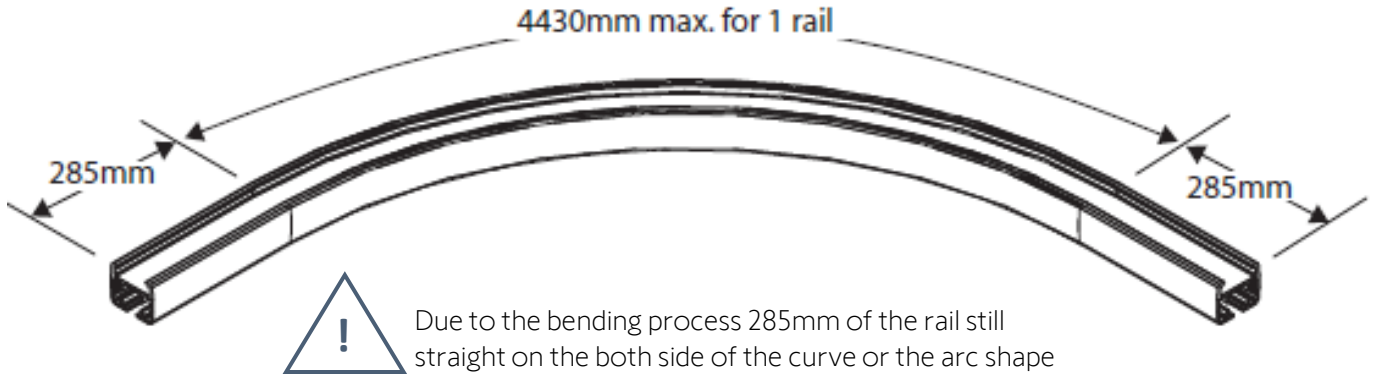


Junctions: Maximum length = 15m / Maximum number of junctions = 2



Bending Instructions And Limitations

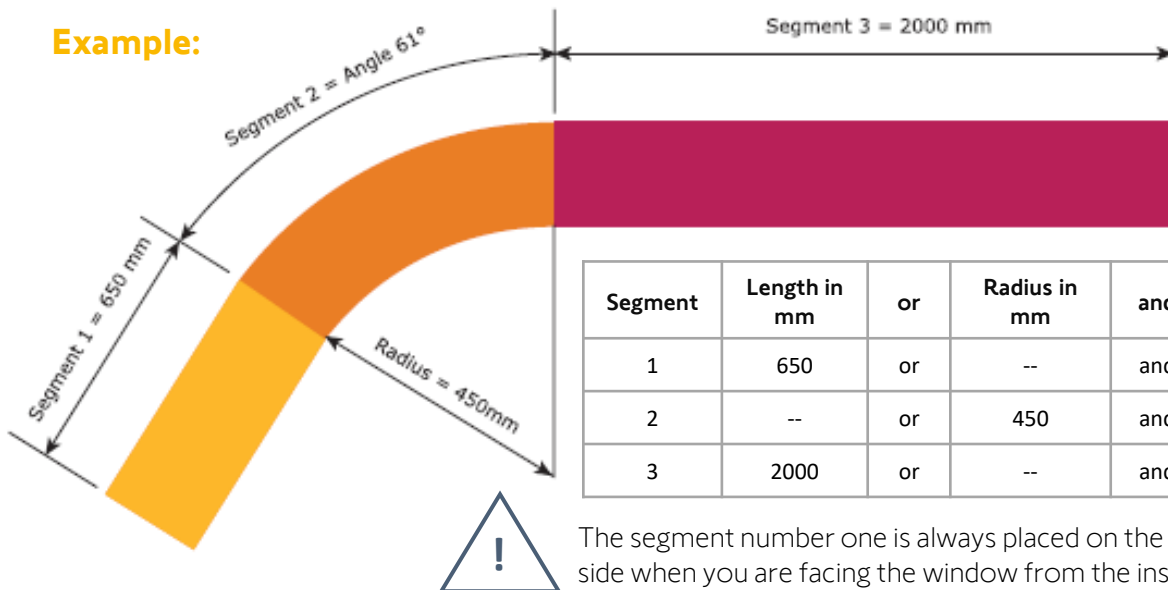
- 1 x Rail length maximum = 4430mm
- Radius limitations:
 - Bent: $300\text{mm} \leq R < 3000\text{mm}$
 - Curve: $R \leq 3000\text{mm}$ (Maximum length in one part 4430, in two parts 8860mm)



Bending Measurement Guide

- A track is broken down into straight and curved segments
- The straight length is measured in mm
- The curved radius is measured in mm + the angle in degree

Example:

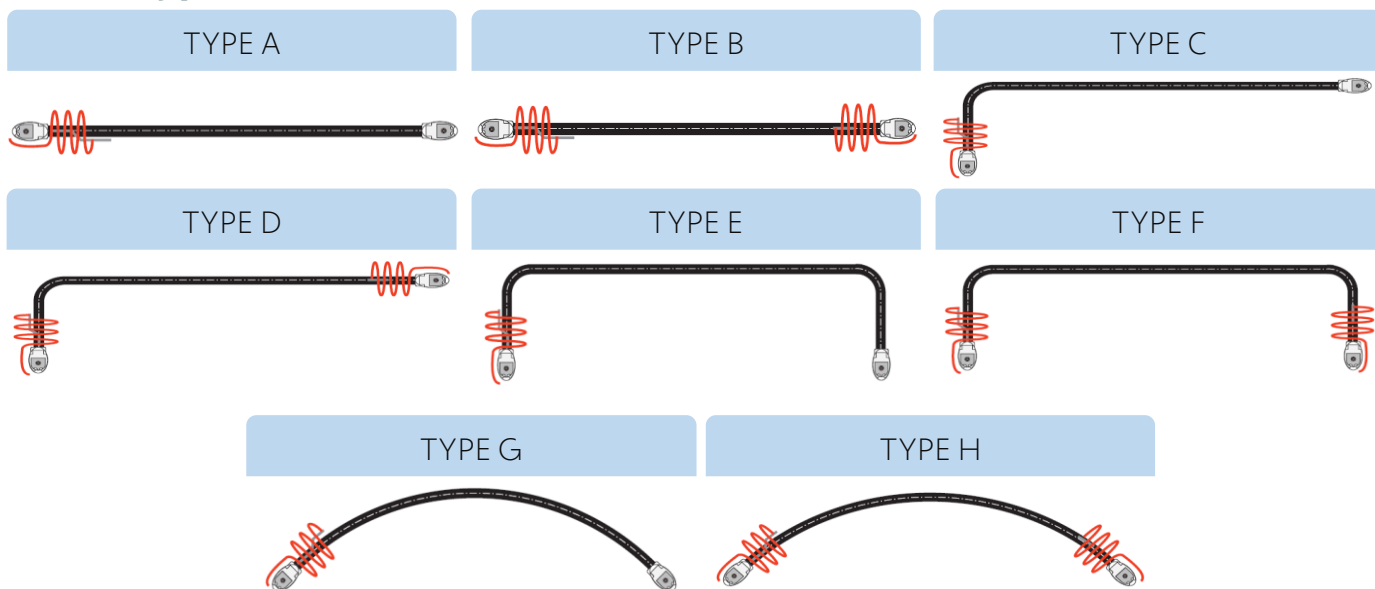


Segment	Length in mm	or	Radius in mm	and	Angle in degree
1	650	or	--	and	--
2	--	or	450	and	61
3	2000	or	--	and	--



The segment number one is always placed on the left-hand side when you are facing the window from the inside

Track Types



Wired Range*

Track Type	Glydea Ultra 35e / Movelite 35			Glydea Ultra 60e		
	3m	6m	10m	6m	10m	12m
A	35	35	35	60	60	55
B	35	35	35	60	60	55
C	35	25	20	45	45	35
D	35	25	20	45	45	--
E	15	10	--	35	25	--
F	15	10	--	35	25	--
G	35	15	--	35	8m 25	--
H	30	10	--	30	8m 20	--

WireFree Range*

Track Type	Movelite 35 WireFree RTS		
	3m	6m	10m
A	35	35	--
B	35	35	--
C	35	25	--
D	35	25	--
E	15	10	--
F	15	10	--
G	35	15	--
H	30	10	--



CONSIDERATIONS:

- Maximum load per runner is 1.5kg
- Maximum distance between runners is 100mm
- The traversing capacity is given for an installation with no extra friction created by the fabric curtain touching the rail or the track pelmet
- Do not use non-Somfy track hardware
- Tracks must be installed horizontally

Control

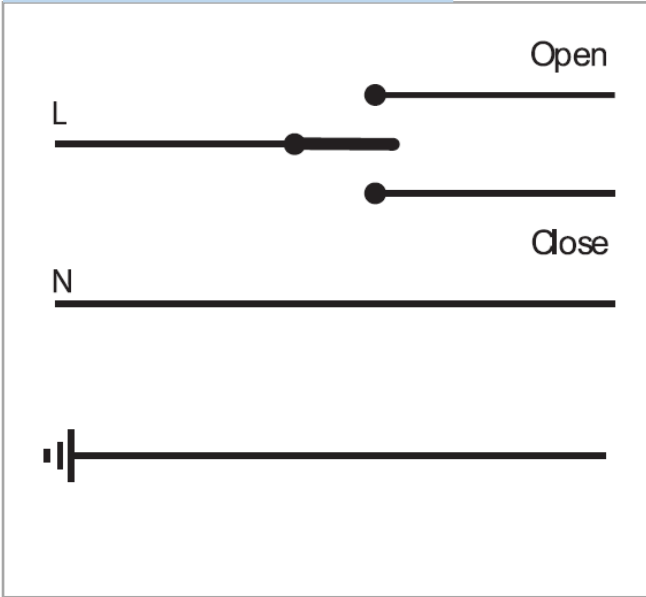
Options and Wiring

- AC Control with AC Switching
- AC Control with DCT Switching
- DCT Control with DCT Switching
- AC & DC Tandem Wiring
- Summary of warnings and considerations

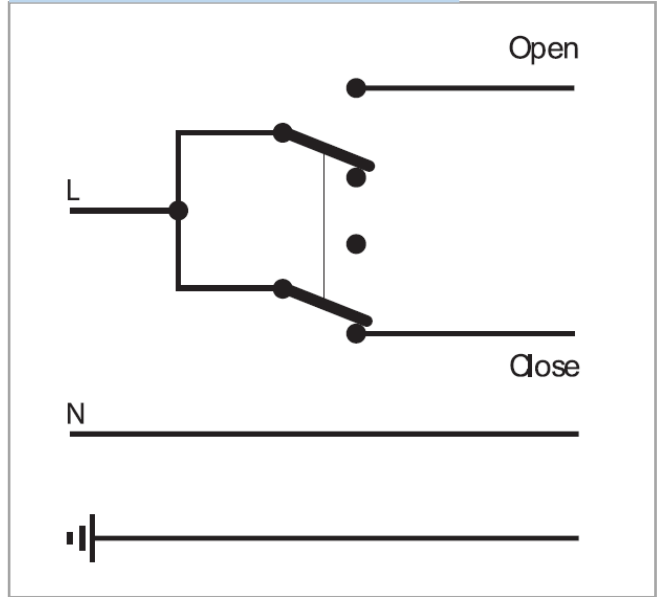


AC Contact Mechanical Switch Types:

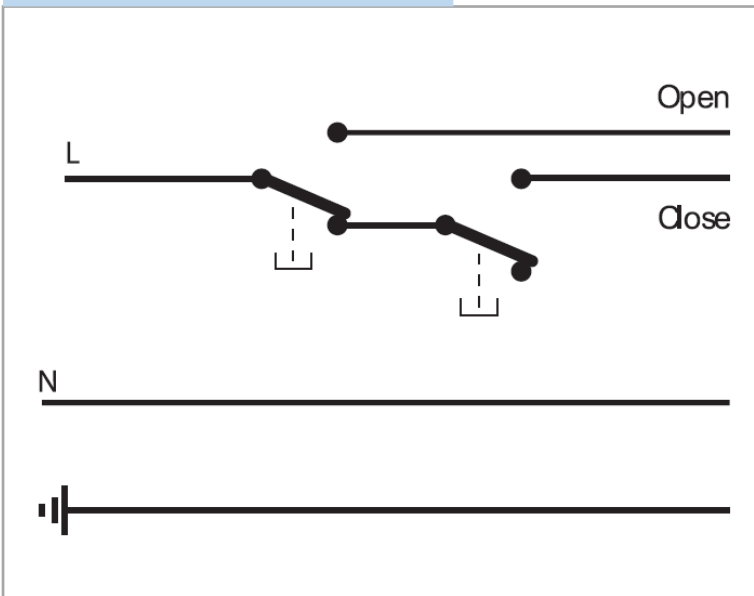
Rocker/Toggle Switch



2 Contact with Safety Locker



2 Safety Push Button

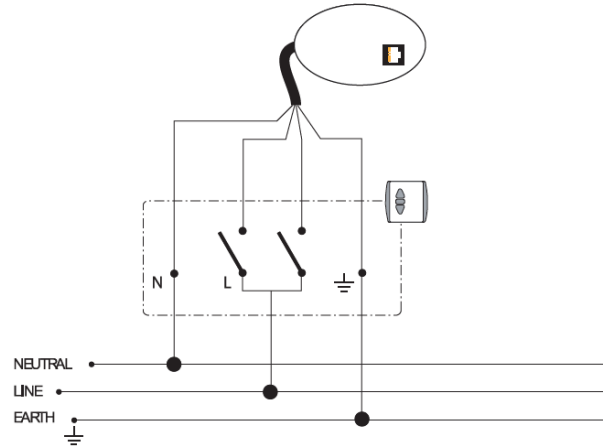
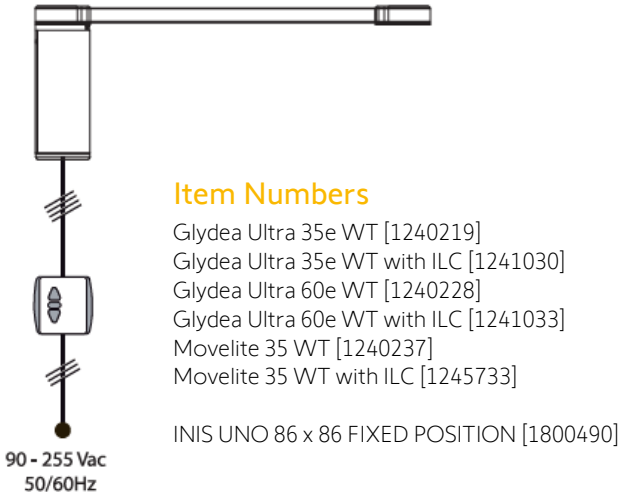


CONSIDERATIONS:

- Use fixed position (maintained) AC Switches
- It is recommended that you contact Somfy Technical services before using an electronic switching device(s)

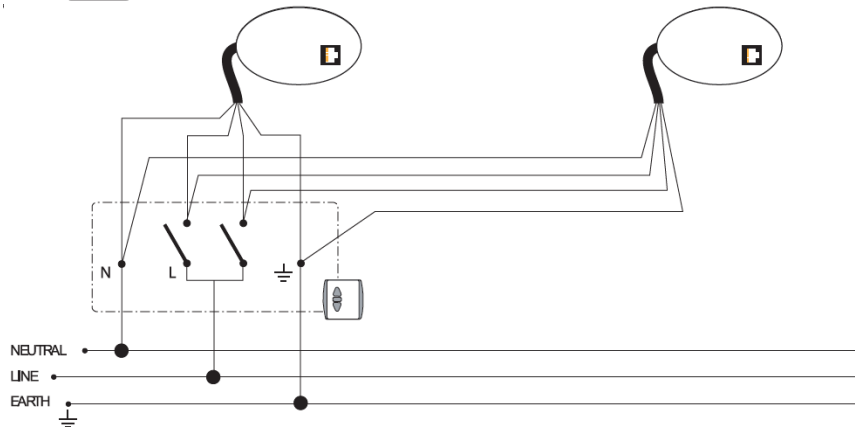
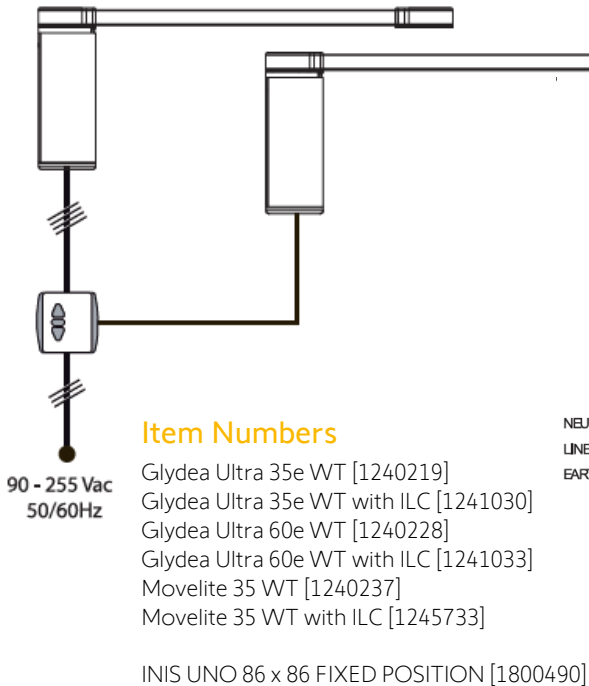
Individual AC Maintained Control with AC Switching Contact:

[Suitable for Glydea 35e WT, Glydea 60e WT and Movelite 35 WT]



AC Group Control with AC Switching Contact:

[Suitable for Glydea 35e WT, Glydea 60e WT and Movelite 35 WT]



CONSIDERATIONS:

- Use fixed position (maintained) AC Switches
- It is recommended that you contact Somfy Technical services before using an electronic switching device(s)



Applicable only once a Glydea 35e/60e WT or Movelite 35 WT has been converted to DCT [Refer to page 8 or 11 for instructions to convert WT to DCT]

Animeo Ib+: Motor Controller IB+ 4AC

For the individual control of 4 x 230VAC motors via local push buttons, or in group with IB+ controlling technology

Item Numbers

Glydea Ultra 35e WT [1240219]
 Glydea Ultra 35e WT with ILC [1241030]
 Glydea Ultra 60e WT [1240228]
 Glydea Ultra 60e WT with ILC [1241033]
 Movelite 35 WT [1240237]
 Movelite 35 WT with ILC [1245733]

4AC MOTOR CONTROLLER WALL MOUNT [1860049]

Animeo KNX: Motor Controller KNX 4AC



For the individual control of 4 x 230VAC motors via local push buttons, or in group with KNX controlling technology

Item Numbers

Glydea Ultra 35e WT [1240219]
 Glydea Ultra 35e WT with ILC [1241030]
 Glydea Ultra 60e WT [1240228]
 Glydea Ultra 60e WT with ILC [1241033]
 Movelite 35 WT [1240237]
 Movelite 35 WT with ILC [1245733]

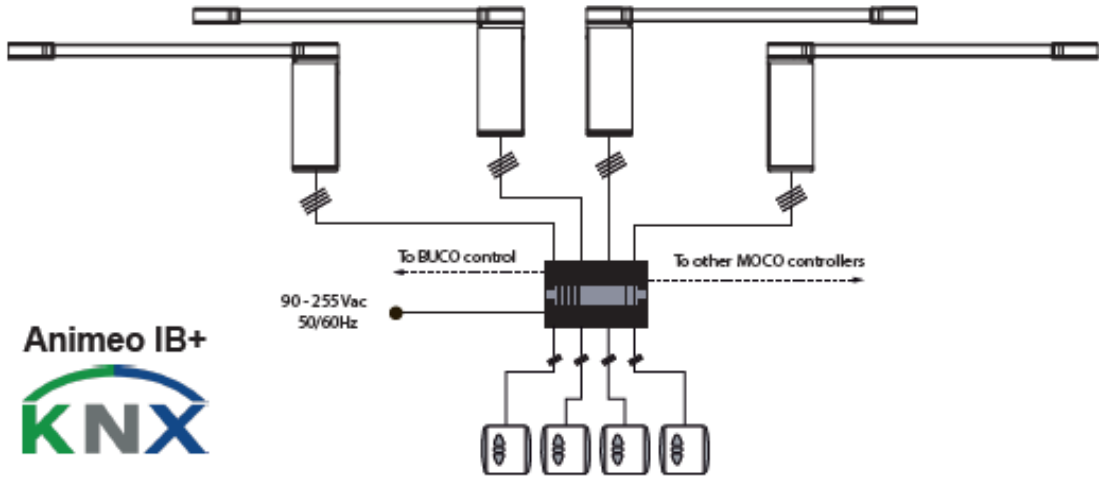
KNX 4AC MOTOR CONTROLLER WALL MOUNT [1860114]



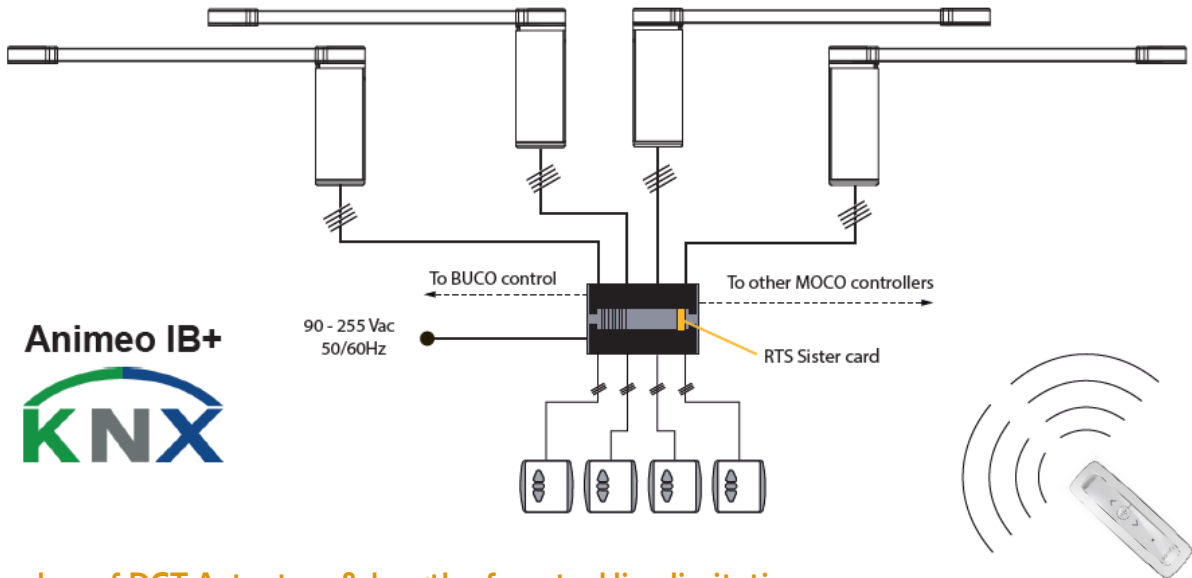
CONSIDERATIONS:

- It is recommended that you contact Somfy Technical services before using an electronic switching device(s)

Animeo Group Control With BUCO, MOCO & DCT Individual Control



Animeo Group Control With BUCO, MOCO, RTS Sister Card & DCT Individual Control + RTS Control



Number of DCT Actuators & length of control line limitations

Wire Cross Section	Maximum Length of Cable	Maximum Number of Motors
Modular cable AWG 24	100m	10
0.75mm ²	200m	20

CONSIDERATIONS:

- Applicable only once a Glydea 35e/60e WT or Movelite 35 WT has been converted to DCT [Refer to page 8 or 11 for instructions to convert WT to DCT]
- It is recommended that you contact Somfy Technical services before using an electronic switching device(s)

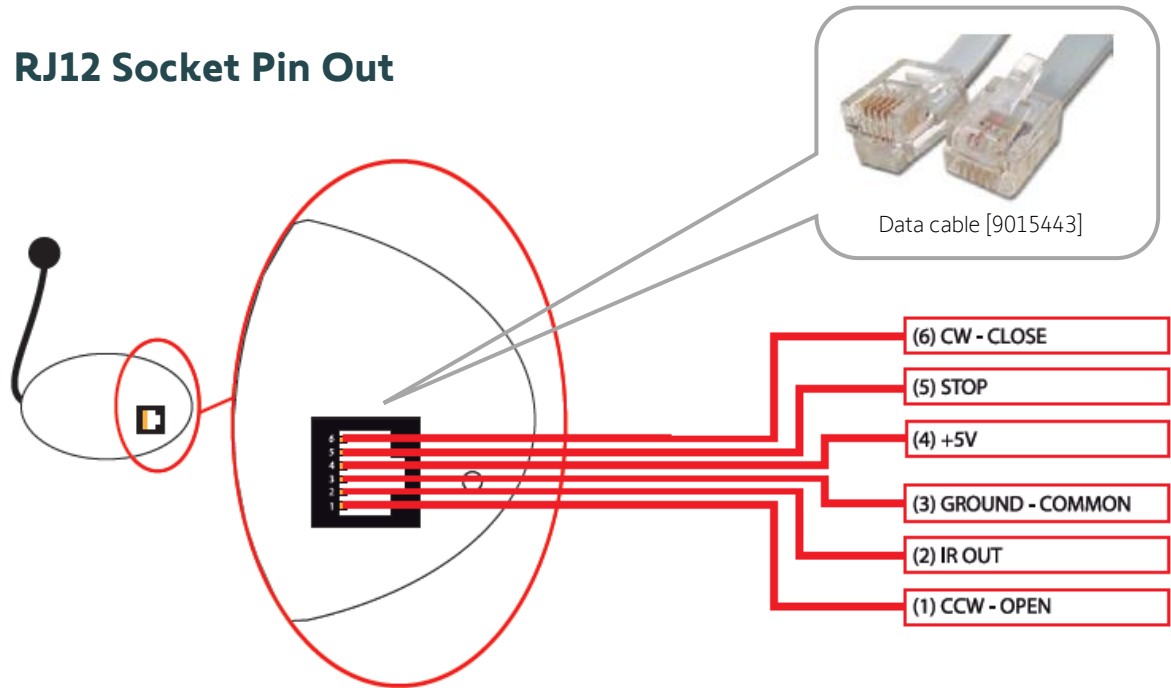




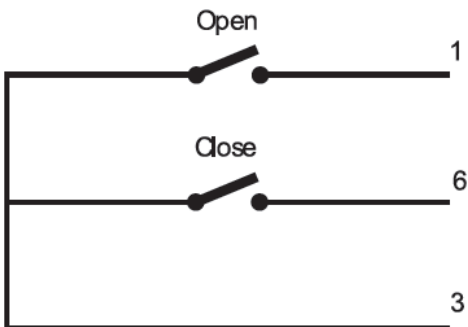
CONSIDERATIONS:

- DCT Setting Tool [9014599] is required to complete control settings (ie: Set limits, control and reset)
- The Data cable is sold separately [9015443]

RJ12 Socket Pin Out



Two Normally Open Dry Contacts

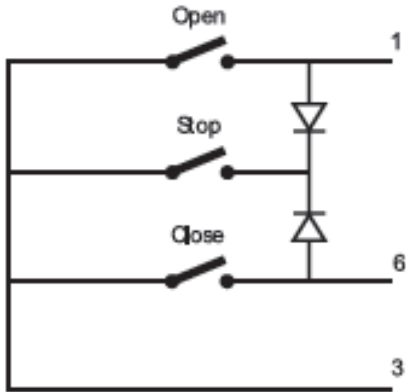




CONSIDERATIONS:

- DCT Setting Tool [9014599] is required to complete control settings (i.e: Set limits, control and reset)
- The data cable is sold separately [9015443]

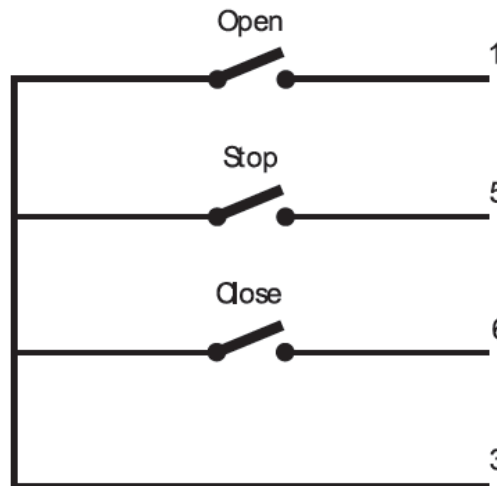
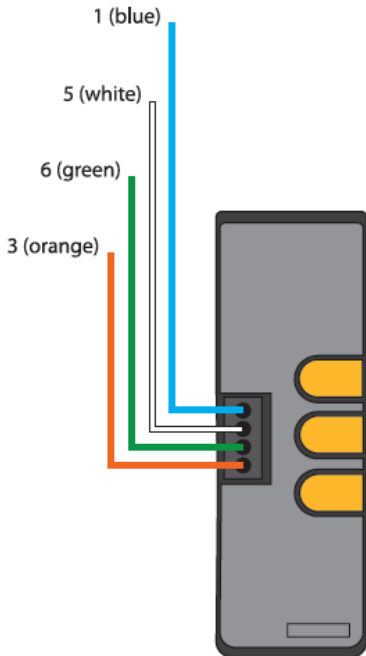
Two Normally Open Dry Contacts With Stop in Parallel



Item Number

- SMOOVE ORIGIN IB [1811272]
- SMOOVE PURE FRAME [9015022]

Three Normally Open Dry Contacts



Item Number

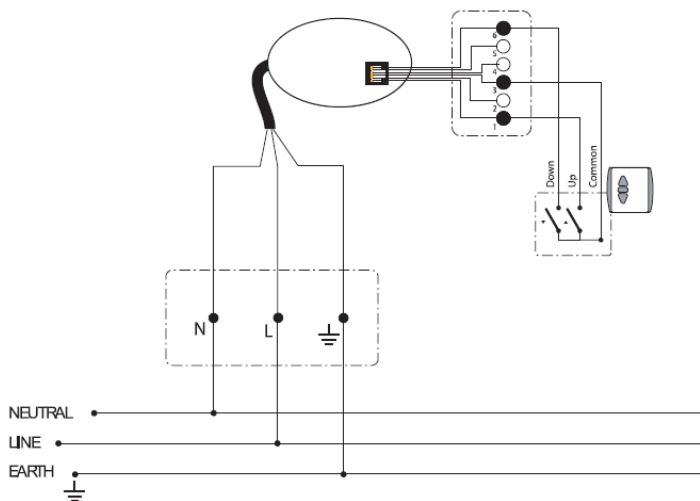
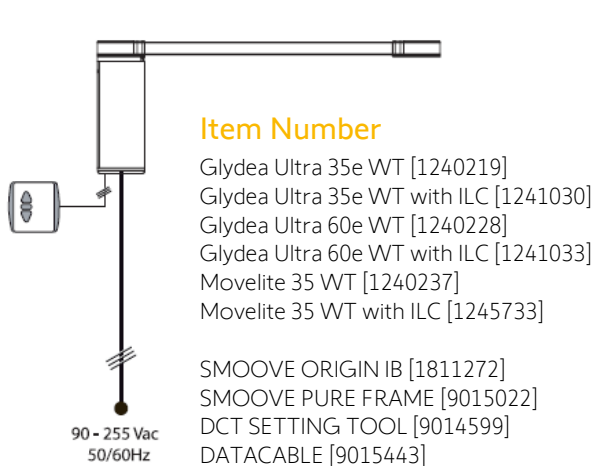
- DCT SETTING TOOL [9014599]
- DATA CABLE [9015443]



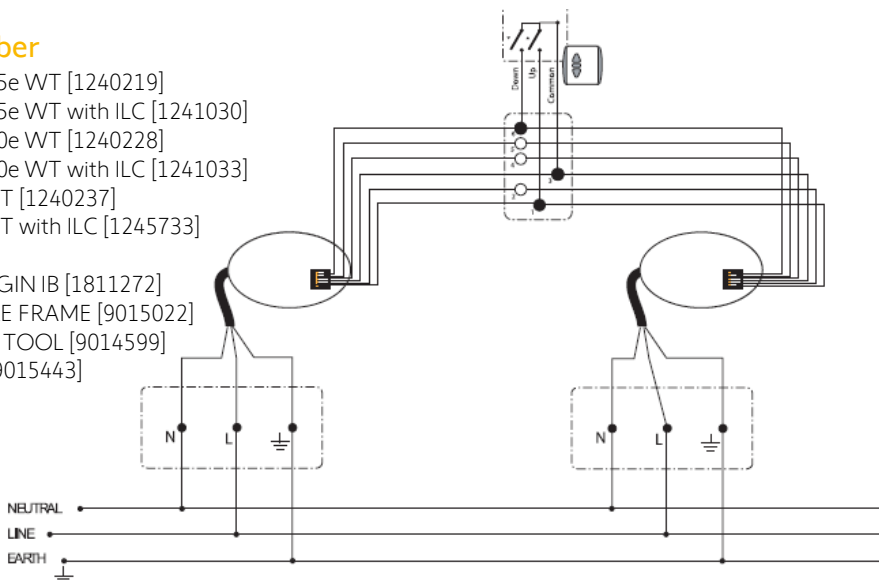
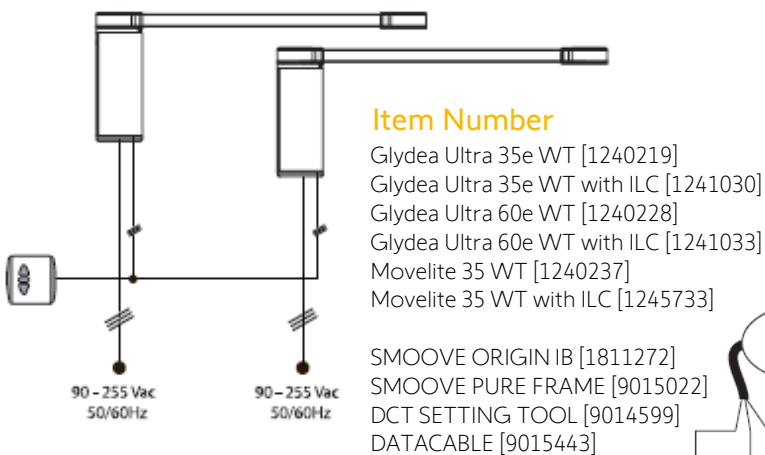
CONSIDERATIONS:

- Applicable only once a Glydea 35e/60e WT or Movelite 35 WT has been converted to DCT [Refer to page 8 or 11 for instructions to convert WT to DCT]

DCT Individual Control with Somfy Switch



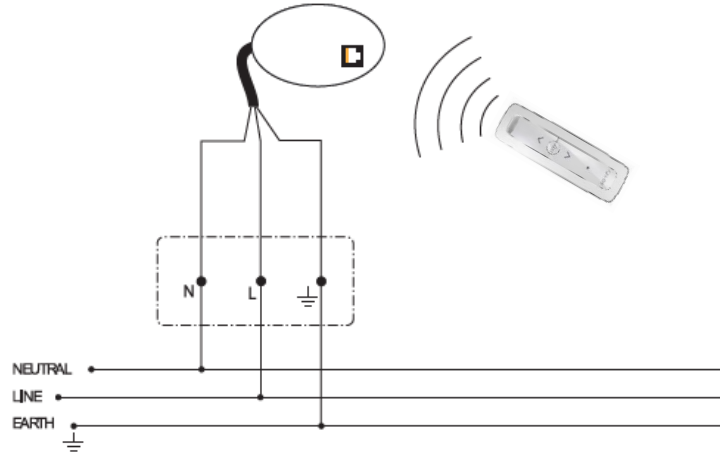
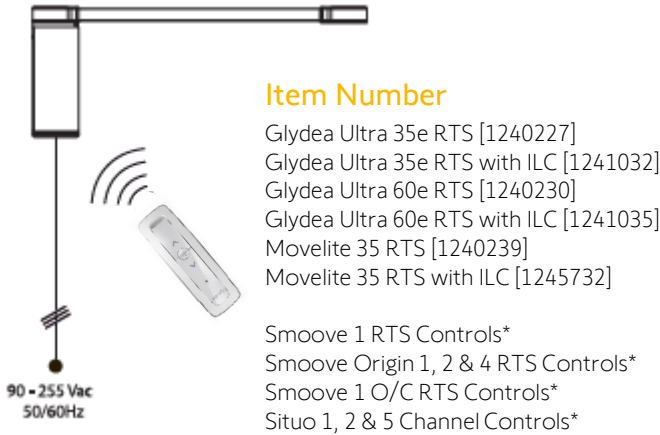
DCT Group Control with Somfy Switch



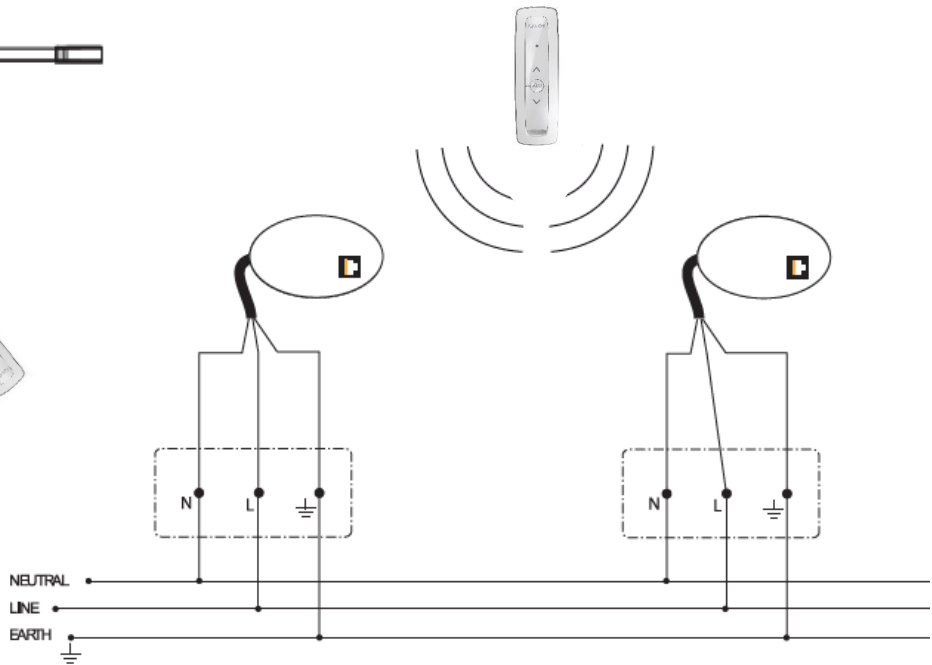
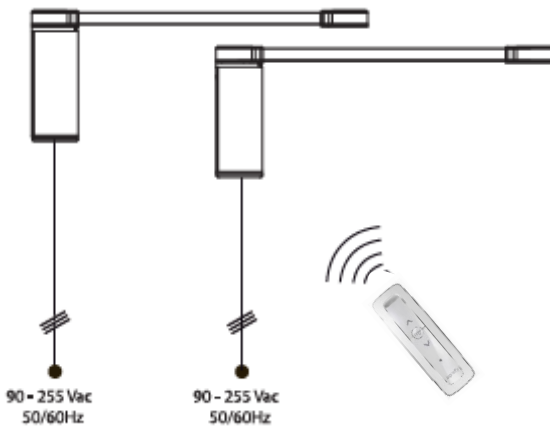
Number of DCT motors & length of control line limitations

Wire Cross Section	Maximum Length of Cable	Maximum Number of Motors
Modular cable AWG 24	100m	10
0.75mm ²	200m	20

RTS Individual Control



RTS Group Control



Item Number

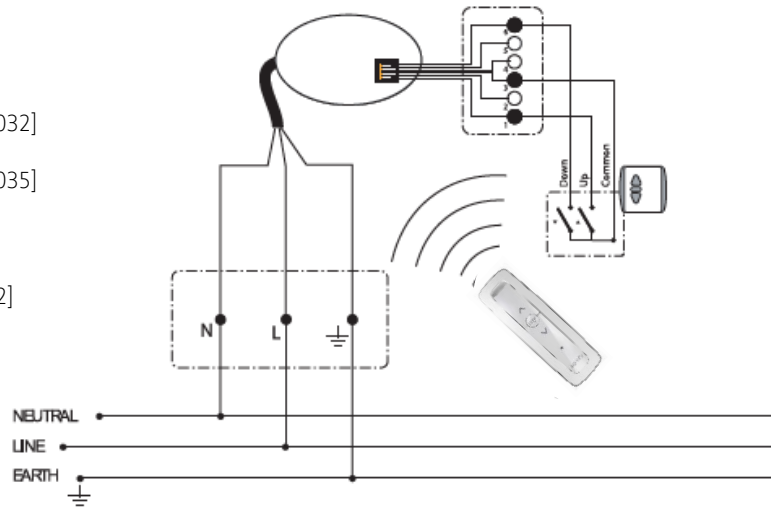
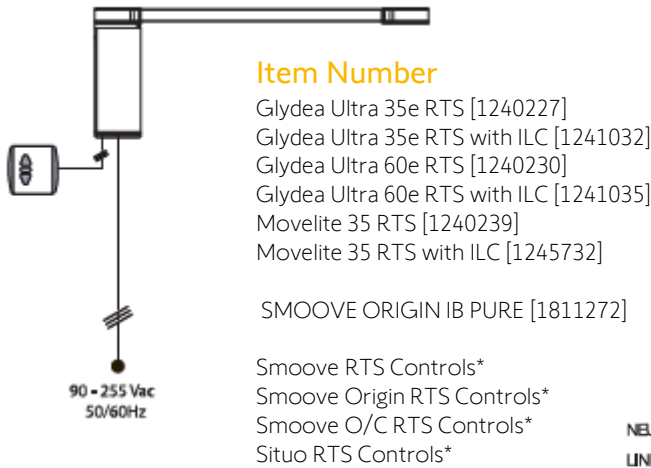
- Glydea Ultra 35e RTS [1240227]
- Glydea Ultra 35e RTS with ILC [1241032]
- Glydea Ultra 60e RTS [1240230]
- Glydea Ultra 60e RTS with ILC [1241035]
- Movelite 35 RTS [1240239]
- Movelite 35 RTS with ILC [1245732]

- Smoove 1 RTS Controls*
- Smoove Origin 1, 2 & 4 RTS Controls*
- Smoove 1 O/C RTS Controls*
- Situo 1, 2 & 5 Channel Controls*

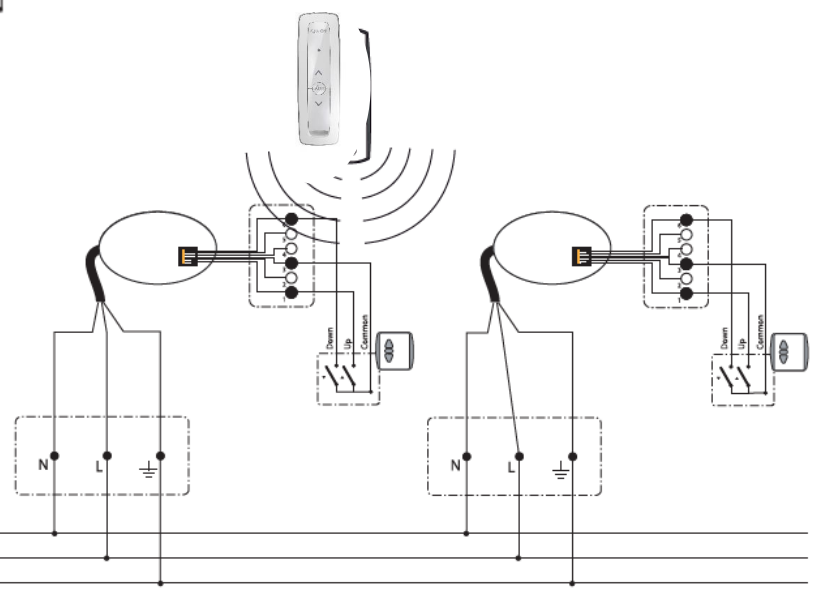
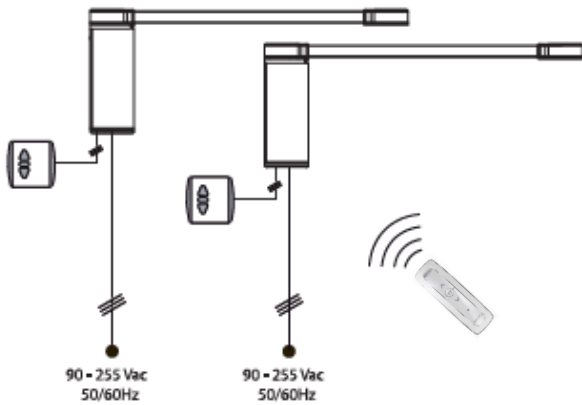
Number of DCT motors & length of control line limitations

Wire Cross Section	Maximum Length of Cable	Maximum Number of Motors
Modular cable AWG 24	100m	10
0.75mm ²	200m	20

RTS Individual Control + DCT Individual Control



RTS Group Control + DCT Individual Control



Item Number

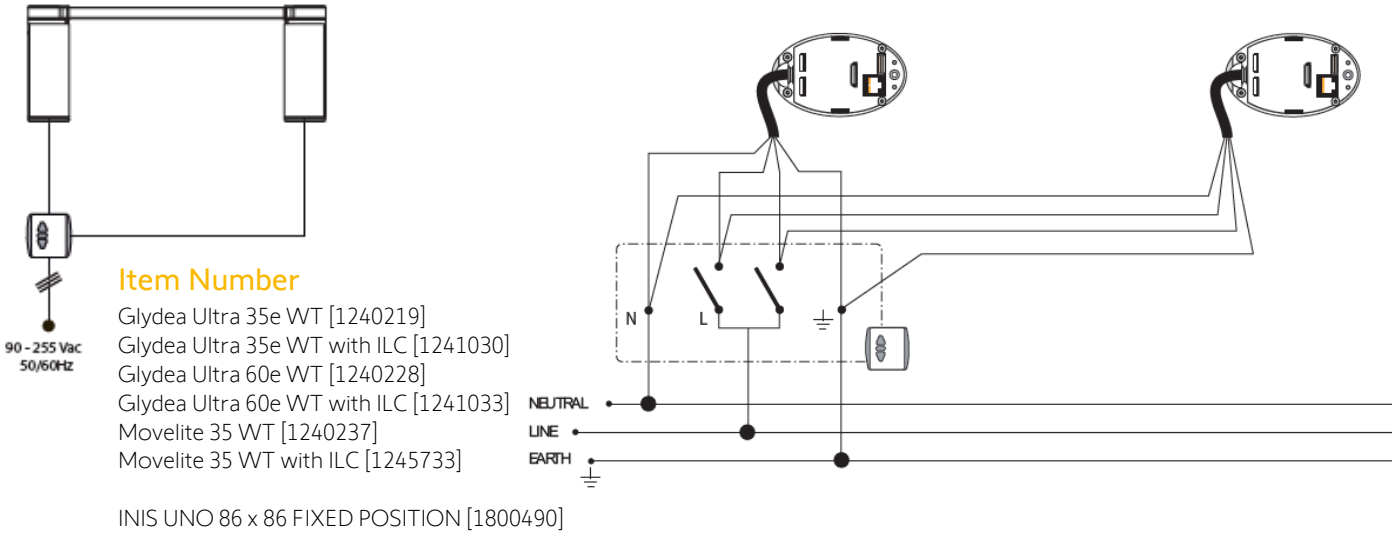
- Glydea Ultra 35e RTS [1240227]
- Glydea Ultra 35e RTS with ILC [1241032]
- Glydea Ultra 60e RTS [1240230]
- Glydea Ultra 60e RTS with ILC [1241035]
- Moveelite 35 RTS [1240239]
- Moveelite 35 RTS with ILC [1245732]

- Smoove 1 RTS Controls*
- Smoove Origin 1, 2 & 4 RTS Controls*
- Smoove 1 O/C RTS Controls*
- Situo 1, 2 & 5 Channel Controls*

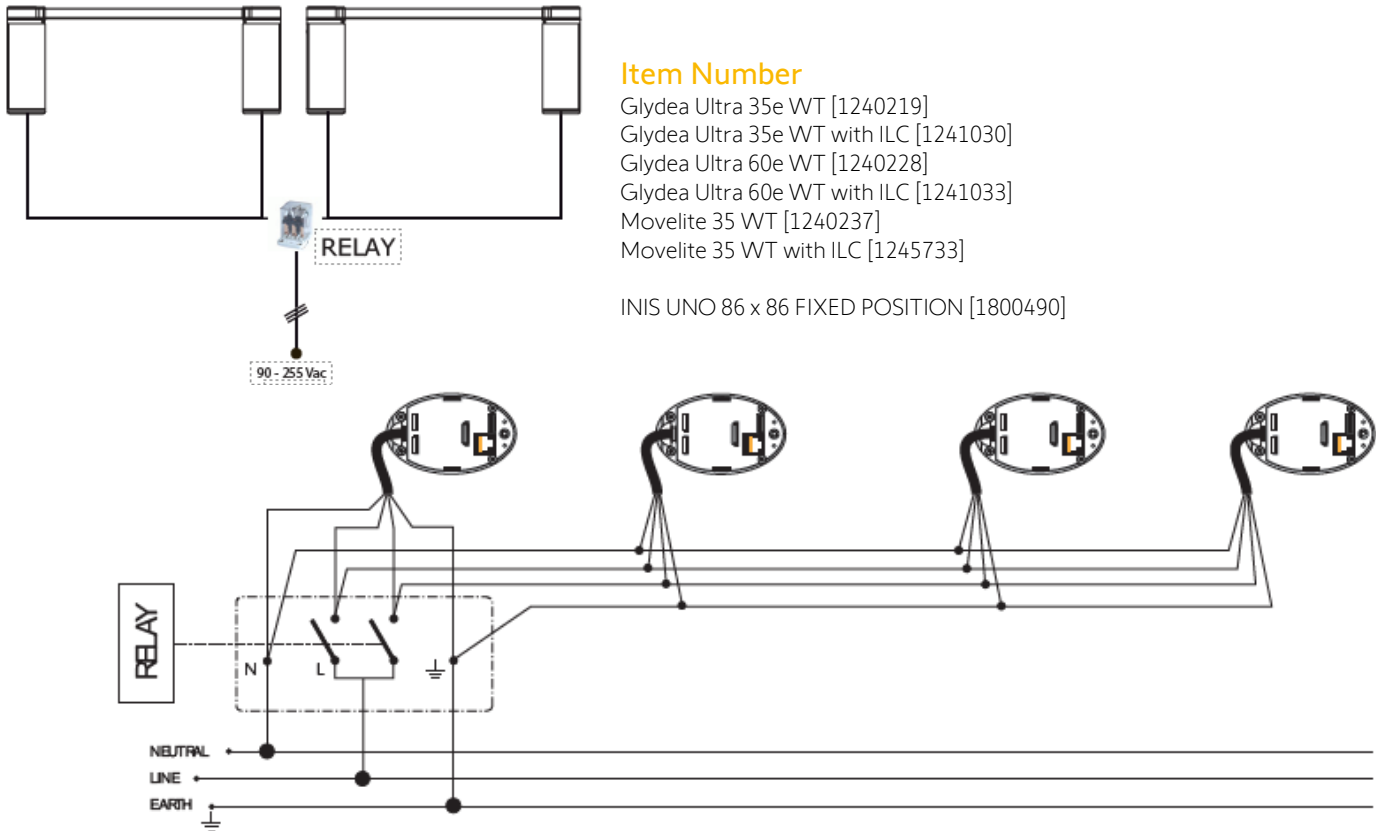
Number of DCT motors & length of control line limitations

Wire Cross Section	Maximum Length of Cable	Maximum Number of Motors
Modular cable AWG 24	100m	10
0.75mm ²	200m	20

Individual AC Maintained Control with AC Switching Contact



AC Group Control with AC Relay



CONSIDERATIONS:

- Use fixed position (maintained) AC Switches
- It is recommended that you contact Somfy Technical services before using an electronic switching device(s)

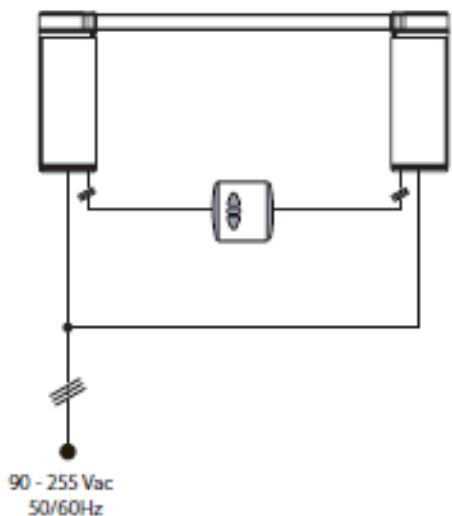




CONSIDERATIONS:

- Applicable only once a Glydea 35e/60e WT or Movelite 35 WT has been converted to DCT [Refer to page 8 or 11 for instructions to convert WT to DCT]

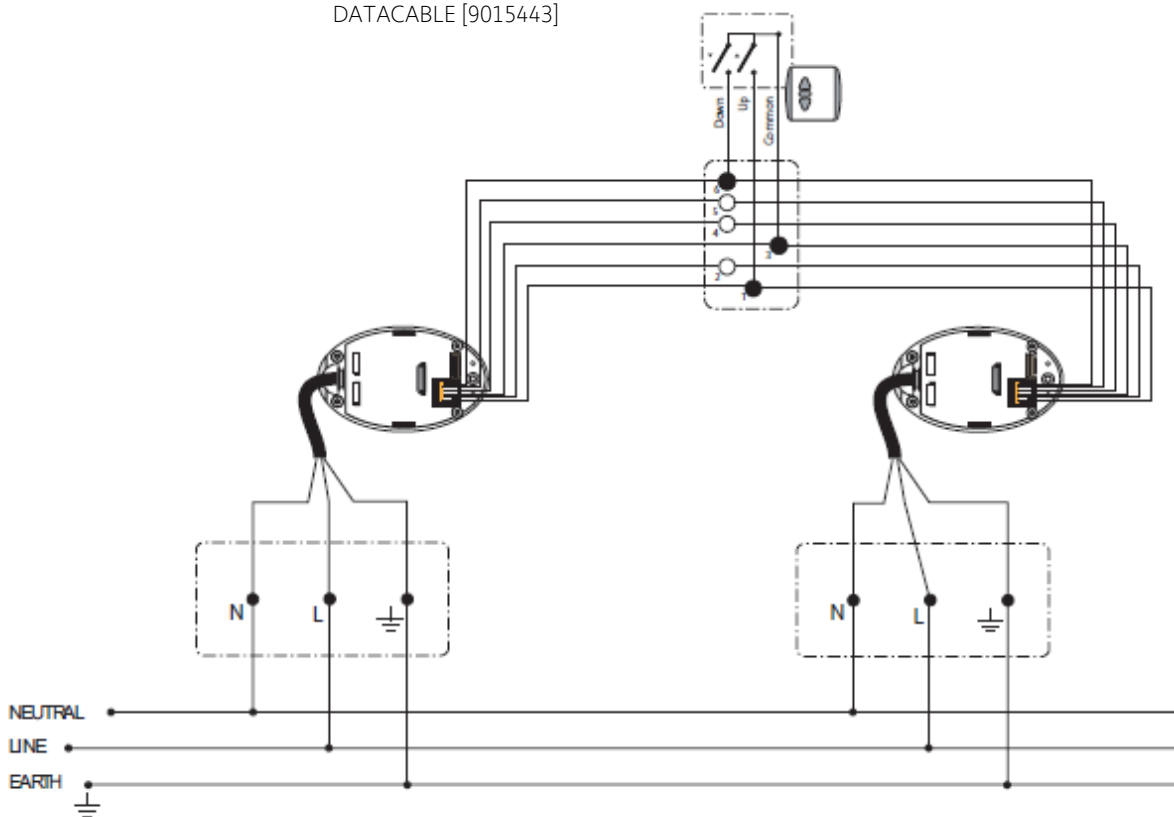
DCT Individual Control with AC Somfy Switch



Item Number

- Glydea Ultra 35e WT [1240219]
- Glydea Ultra 35e WT with ILC [1241030]
- Glydea Ultra 60e WT [1240228]
- Glydea Ultra 60e WT with ILC [1241033]
- Movelite 35 WT [1240237]
- Movelite 35 WT with ILC [1245733]

- SMOOVE ORIGIN IB [1811272]
- SMOOVE PURE FRAME [9015022]
- DCT SETTING TOOL [9014599]
- DATA CABLE [9015443]

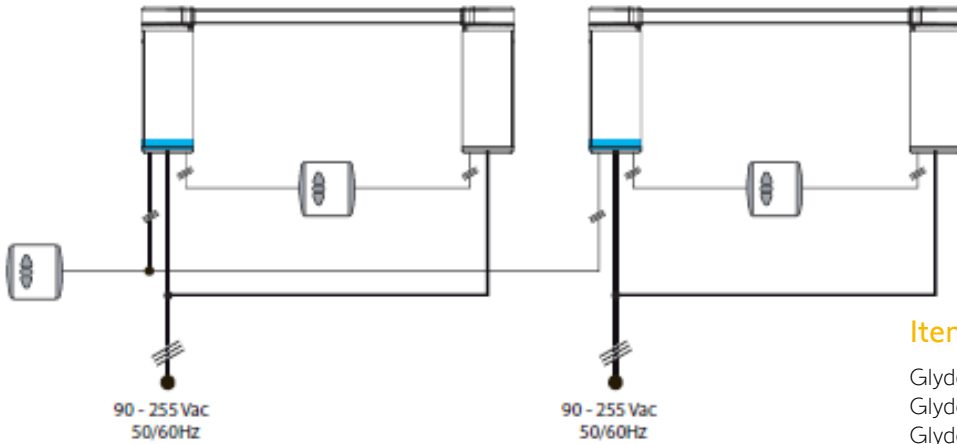




CONSIDERATIONS:

- Applicable only once a Glydea 35e/60e WT or Movelite 35 WT has been converted to DCT [Refer to page 8 or 11 for instructions to convert WT to DCT]

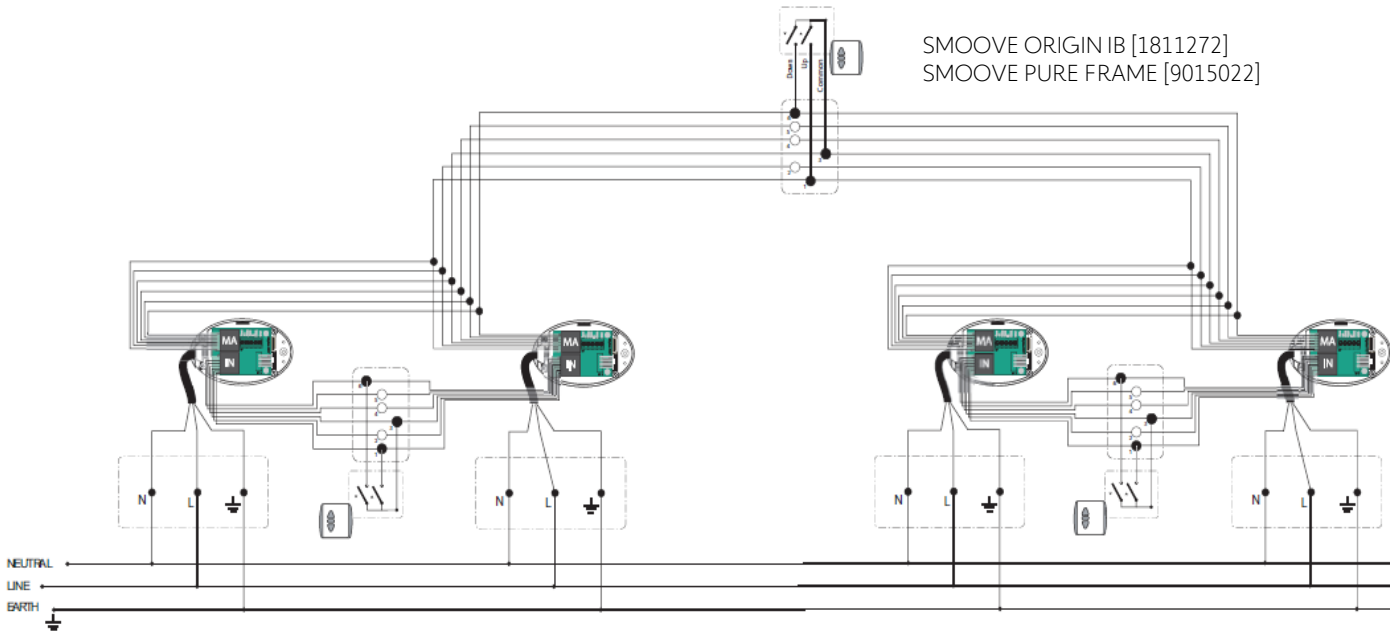
DCT Group Control + DCT Individual Control with Somfy Switches



Item Number

- Glydea Ultra 35e WT [1240219]
- Glydea Ultra 35e WT with ILC [1241030]
- Glydea Ultra 60e WT [1240228]
- Glydea Ultra 60e WT with ILC [1241033]
- Movelite 35 WT [1240237]
- Movelite 35 WT with ILC [1245733]

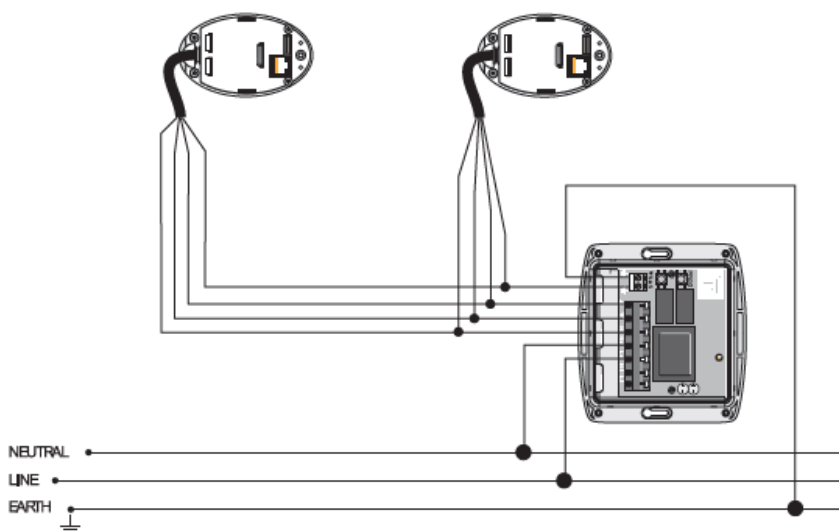
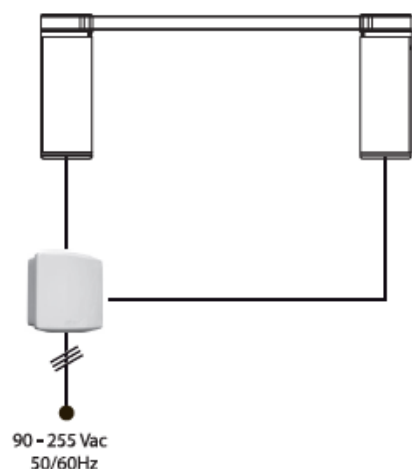
- SMOOVE ORIGIN IB [1811272]
- SMOOVE PURE FRAME [9015022]



Number of DCT motors & length of control line limitations

Wire Cross Section	Maximum Length of Cable	Maximum Number of Motors
Modular cable AWG 24	100m	10
0.75mm ²	200m	20

Individual RTS Control with Universal Slim Receiver RTS – Cable & Hirschmann Plug



Item Number

- Glydea Ultra 35e WT [1240219]
- Glydea Ultra 35e WT with ILC [1241030]
- Glydea Ultra 60e WT [1240228]
- Glydea Ultra 60e WT with ILC [1241033]
- Movelite 35 WT [1240237]
- Movelite 35 WT with ILC [1245733]

- Universal Slim Receiver RTS – Cable [1810783]
- Universal Slim Receiver RTS – Hirschmann Plug [1810784]

Number of DCT motors & length of control line limitations

Wire Cross Section	Maximum Length of Cable	Maximum Number of Motors
Modular cable AWG 24	100m	10
0.75mm ²	200m	20



CONSIDERATIONS:

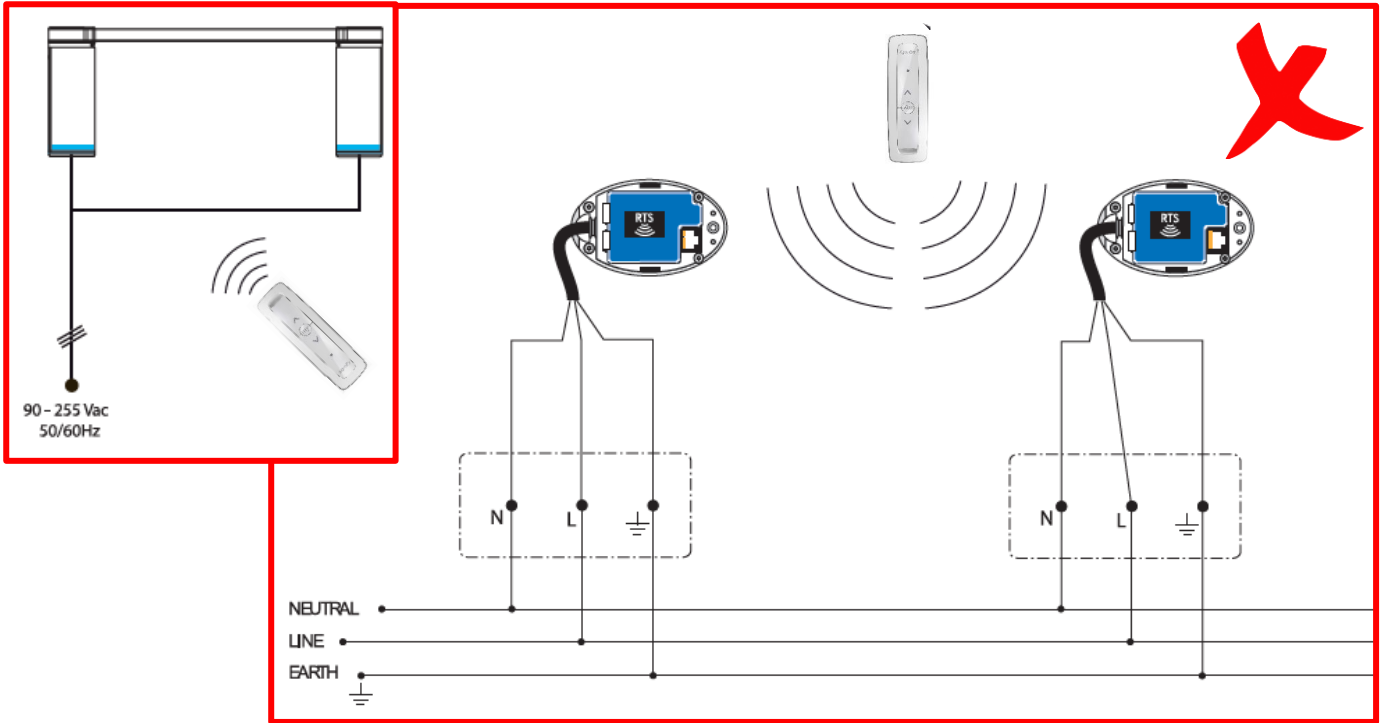
- Applicable only once a Glydea 35e/60e WT or Movelite 35 WT has been converted to DCT [Refer to page 8 or 11 for instructions to convert WT to DCT]



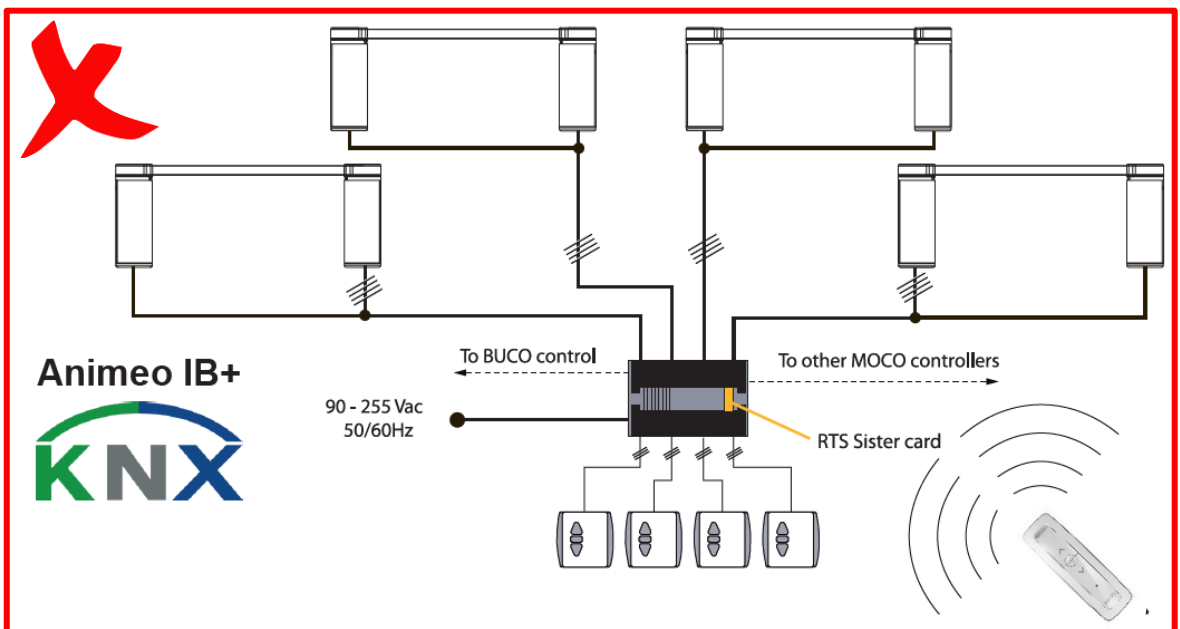
WARNING!

- The below configurations are prohibited and not recommended by Somfy

RTS INDIVIDUAL CONTROL WITH EMBEDDED RECEIVER [TANDEM OPERATION]



ANIMEO GROUP CONTROL BUCO, MOCCO & DCT INDIVIDUAL CONTROL



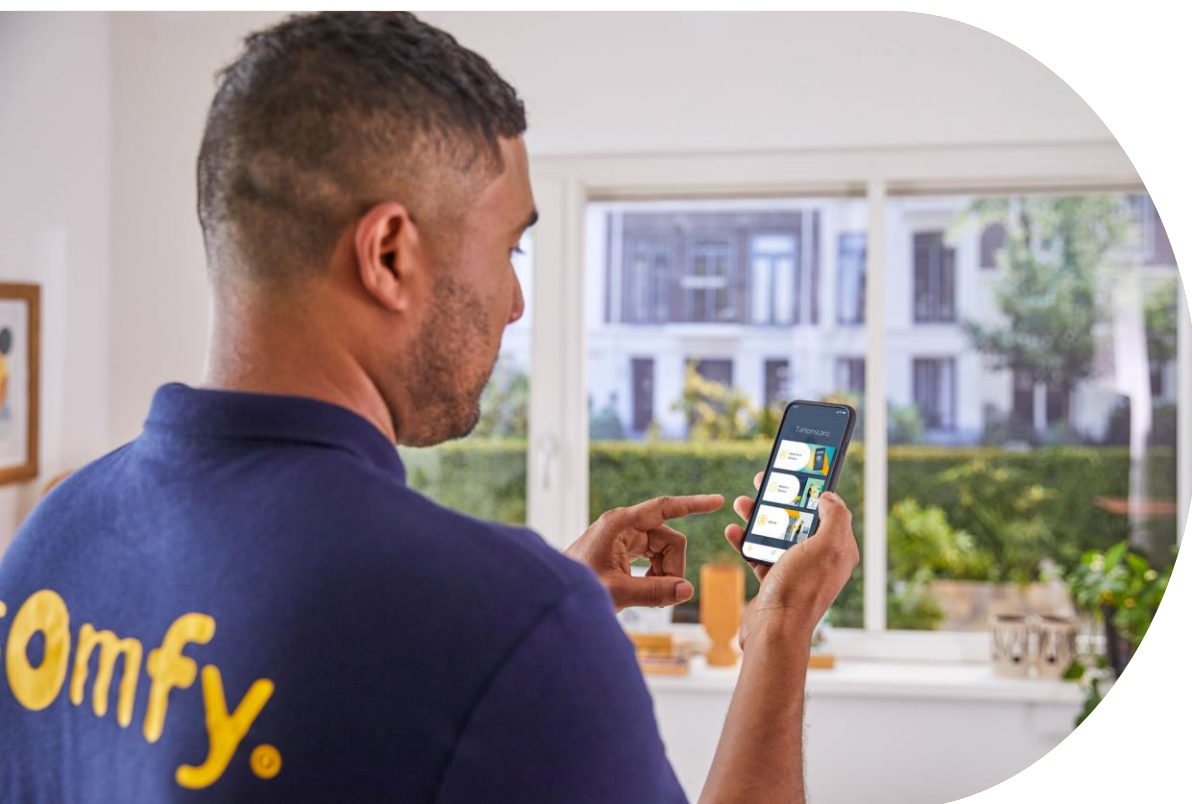


WARNINGS & CONSIDERATIONS:

- DCT wiring and installation is only applicable only once a Glydea 35e/60e WT or Movelite 35 WT has been converted to DCT [Refer to page 8 or 11 for instructions to convert WT to DCT]
- The below configurations **are strictly prohibited** and **not recommended** by Somfy
 - Glydea Ultra RTS is strictly prohibited on tandem applications
 - RTS Individual control with embedded receiver [Tandem Operation]
 - Animeo Group control BUCO, MOCO & DCT individual control
- Grease is **not** required with a Somfy high performance black belt [1782084]
- Use fixed position (maintained) AC Switches [WT motors]
- It is recommended that you contact Somfy Technical services before using an electronic switching device(s)
- The motor needs to be powered down before installing optional modules
- The compatible RTS receivers for a Glydea Ultra WT are the Universal Slim Receiver RTS – Cable [1810783] and the Universal Slim Receiver RTS – Hirschmann Plug [1810784]
- Once the conversion to DCT is complete. A DCT setting tool (Ref # 9014599) is required to complete the control settings (i.e: Set limits, control and reset). Data cable sold separately [9015443]

Installation and setting instructions

- Link to installation guide for:
 - Glydea Ultra 35e (WT & RTS)
 - Glydea Ultra 60e (WT & RTS)
 - Movelite 35 (WT & RTS)
 - Movelite 35 WireFree RTS
- Converting a WT curtain motor to a DCT curtain motor
- Upside down mounting (top mounting) instructions



Links To Installation Guides For:



Glydea Ultra Curtain Motor

Glydea Ultra 35e WT

Glydea Ultra 60e WT

Glydea Ultra 35e RTS

Glydea Ultra 60e RTS



Movelite 35 Curtain Motor

Movelite 35 WT

Movelite 35 RTS



Movelite Wirefree Curtain Motor

Movelite 35 WireFree RTS



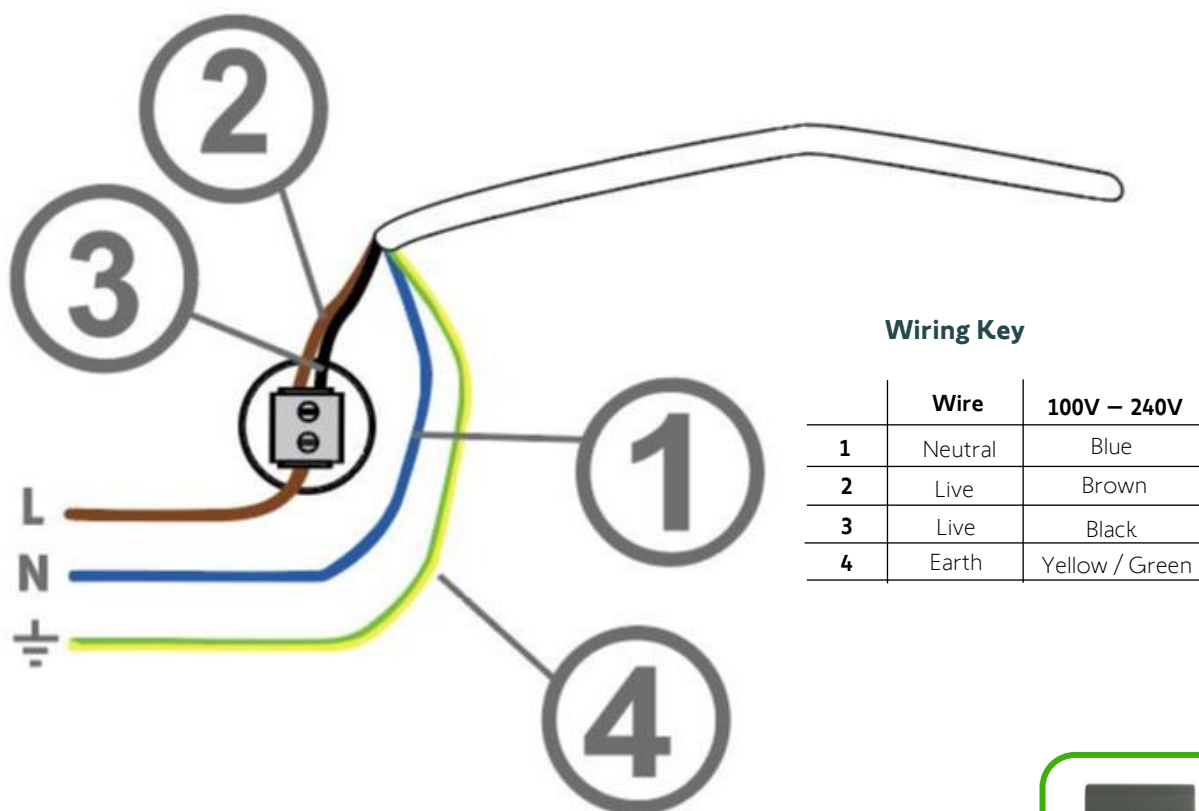
Converting a WT Curtain Motor To a DCT Curtain Motor

Conversion Instructions

WT Motors (AC Switching):

You can switch from a WT Control mode (AC Switching) to Dry Contact Switching (DCT), by connecting the black and brown wires permanently to live

Conversion Wiring Diagram



NOTE: Once the conversion to DCT is complete, a **DCT setting tool (Ref # 9014599)** is required to complete the control settings (i.e: Set limits, control and reset). **Data cable sold separately (9015443)**



Once converted to a DCT motor, the motor can only be reset using the DCT Setting tool [9014599]. Refer to DCT manual for further information and instructions



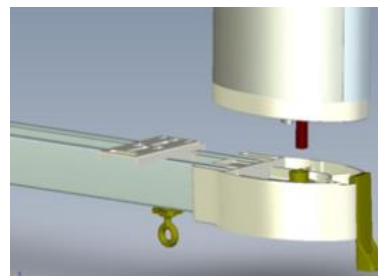
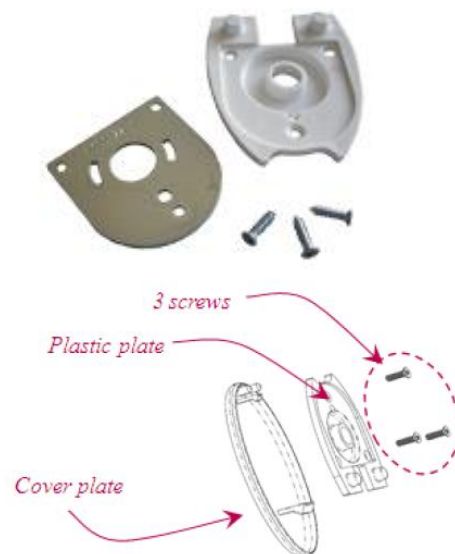
Converting a WT curtain motor to DCT curtain motor must only be undertaken by a qualified electrician. For further information, please contact the Somfy Technical Support Team.

Top Mounting

By top mounting a Glydea Ultra (RTS or WT) or a Movelite 35 (RTS or WT) means the motor is mounted on top of the curtain track. This means the motor would sit in the recessed ceiling making the motor appear to be completely invisible



Top Mount Kit Ga [1780908]



CONSIDERATIONS:

- Radio reception could be reduced for motors installed in enclosures, especially if the enclosures are metallic
- Environmental conditions for top mount installations, including motors installed in enclosures, should not exceed those specified on the datasheet

Working temperature	0°C to +60°C
Humidity Rate	85% at 35°C

Installation Instructions

1. Drive Pulley preparation:

- Unscrew and remove the metal plate from the bottom of the drive pulley housing
- Re-install the plastic plate with the drive pulley screws that were removed
- Install the cover plate supplied with the Top Mount Kit [1780908]
- Turn the drive pulley upside down and install the plastic plate from the top mount kit
- Install the metal plate that was removed from the bottom side
- Secure them with the 3 screws supplied with the kit

2. Motor Installation:

- In the top mount configuration, the motor hook needs to be installed in the recess at the back of the drive pulley

Step 1.a – 1.c



Step 1.d – 1.f



CONSIDERATIONS:

- Radio reception could be reduced for motors installed in enclosures, especially if the enclosures are metallic
- Environmental conditions for top mount installations, including motors installed in enclosures, should not exceed those specified on the datasheet

Working temperature	0°C to +60°C
Humidity Rate	85% at 35°C

Curtain

Components and Accessories

- Curtain Components & Accessories List
- Curtain Components & Accessory Reference Comparison Chart (Glydea Silent vs Glydea Heavy Duty Vs Glydea Black Accessories)



Glydea Ultra Silent Accessories [White]

SILENT MASTER CARRIER



Can be used on all track configurations & shapes (including ripple fold)

Ref: 1782922

SILENT ROTATING EYE RUNNER



- Runner mounted on wheels with rotating eyelet
- Width: 14mm / Max Load: 1.5kg / Qty: Approx. 10 per metre

Ref: 1782921

SILENT RIPPLE RUNNER W/EYELET 80MM



- 80mm
- Runner mounted on wheels for ripple curtains
- Cord is snapped on the runner body
- Snap tape is not required

Ref: 9027590

SILENT RIPPLE RUNNER W/EYELET 60MM



- 60mm
- Runner mounted on wheels for ripple curtains
- Cord is snapped on the runner body
- Snap tape is not required

Ref: 9027591

SILENT RIPPLE RUNNER 2 3/8"



- Runner mounted on wheels for 80% fullness ripple curtains.
- Cord is snapped on the runner body
- 250 Snap-on penpands supplied
- Width 14mm / Max Load: 1.5kg / Qty: approx. 17 per metre

Ref: 9027592

SILENT RIPPLE RUNNER 2 1/8"



- Runner mounted on wheels for 100% fullness ripple curtains
- Cord is snapped on the runner body
- 250 Snap-on penpands supplied
- Width 14mm / Max Load: 1.5kg / Qty: approx. 19 per metre

Ref: 9027593

SILENT RIPPLE RUNNER 1 7/8"



- Runner mounted on wheels for 120% fullness ripple curtains
- Cord is snapped on the runner body
- 250 Snap-on penpands supplied
- Width 14mm / Max Load: 1.5kg / Qty: approx. 21 per metre

Ref: 9027594

SILENT RIPPLE FOLD RUNNER FIXING HOLDER



Allows simple connection of Ripple fold runner to Silent Master Carrier

Ref: 9027657

Track Components

PULLEY ASSEMBLY



- Pulley assembly to put opposite the motor side
- Colour: White
- Unit weight: 82g
- Hooks sold separately

Ref: 1780897

SMALL PULLEY ASSEMBLY



- Pulley assembly to put opposite the motor side
- Colour: White
- Hooks sold separately
- Available in black [9026927]

Ref: 1782318

DRIVE PULLEY ASSEMBLY



- Pulley Assembly to use on the motor side
- Colour: White
- Unit weight: 73g
- Hooks sold separately
- Also available in black [9026933]

Ref: 1780945

HEAVY DUTY MASTER CARRIER



Compatible on all track configurations & shapes including ripple curtain to the maximum weight capacity of Somfy Curtain motors

Ref: 1781344

GLYDEA CURTAIN TRACK 6.3M [WHITE]



- 6.3m Curtain Track
- Colour: White
- Aluminium Temper 5
- 1 Pack = 6 Rails

Ref: 1782106

GLYDEA CURTAIN TRACK 6.3M [MILL]



- 6.3m Curtain Track
- Colour: MILL
- Aluminium Temper 5
- 1 Pack = 6 Rails

Ref: 9014599

MOTOR HOOK WHITE



- Plastic hook to hang the curtain on the pulleys
- Recommended quantity is minimum 1 for one-way tracks & 2 for two-way tracks. More might be needed
- Colour: White
- Unit weight: 2.3 g

Ref: 1780895

HIGH PERFORMANCE BELT – 60M



- 60M roll of 10mm black pre-lubricated belt
- Approx. 2 times the length of the track is required
- Compatible on all track configurations & shapes including ripple curtain to the maximum weight capacity of Somfy Curtain motors

Ref: 1782084

Track Components

HEAVY DUTY STRAIGHT ARM



- Stainless steel arm screwed on to the master carrier of 2-way tracks
- Used to hang curtains with pleats with 3 pitch
- Unit weight: 29kg

Ref: 1781416

HEAVY DUTY OVERLAP ARM KIT



- Stainless steel overlap arm with roller wheel attached to a master carrier on 1 way or 2-way system when additional blackout is needed

Ref: 1781417

HEAVY DUTY RAIL JOINT



- Used to link to rails together

Ref: 1782316

Ripplefold Accessories

RIPPLE SNAP TAPE (4-1/4") 91.4M



- Ripple snap tape 4 ¼ (108 mm) reel of 91.4 m

Ref: 1782301

MOTOR HOOK WHITE WITH SNAP



- Plastic hook with a female snaps to use for ripple curtains
- Colour: White
- Also available in black [9026940]

Ref: 1780905

HIGH PERFORMANCE ROTATING RUNNER



- Runner mounted on wheels with rotating eyelet. Not to be used with ripple fold
- Qty: Approx. 10 per meter
- Colour: White
- Unit weight: 3.2 g
- Also available in black [9026932]

Ref: 1781415

RIPPLE RUNNER 2 3/8"



- Runner mounted on wheels for 80% fullness ripple curtains
- Cord already snapped on the runner body
- 500 snap penpands supplied
- Width 14 mm / Max. load: 1.5 kg
- Qty Approx. 17/m
- Available in black [9026939]

Ref: 1780903

Ripplefold Accessories

RIPPLE RUNNER 2 1/8"



- Runner mounted on wheels for 100% fullness ripple curtains
- Cord already snapped on the runner body
- 500 snap penpends supplied
- Width 14 mm / Max. load: 1.5 kg
- Qty Approx. 19/m
- Available in black [9026938]

Ref: 1780902

RIPPLE RUNNER 1 7/8"



- Runner mounted on wheels for 120% fullness ripple curtains
- Cord already snapped on the runner body
- 500 snap penpends supplied
- Width 14 mm / Max. load: 1.5 kg
- Qty Approx. 21/m

Ref: 1780901

ROTATING RIPPLE EYELET RUNNER 60MM



- Runner mounted on wheels for ripple curtains
- Cord is already snapped on the runner body
- 500 rotating runner eyelets supplied
- No need to use snap tape
- Available in black [9028569]

Ref: 1782310

HEAVY DUTY RIPPLE FOLD STRAIGHT ARM



- Stainless steel arm is screwed onto a master carrier on 2-way track
- Used for a ripple curtain when an overlap solution is needed
- Also available in black [9026936]

Ref: 1780946

HEAVY DUTY RIPPLE OVERLAP ARM KIT



- Stainless steel overlap with roller wheel
- Used with a master carrier on 1-way ripple curtain with overlap
- Also available in black [9026937]

Ref: 1780947

HEAVY DUTY RIPPLE FOLD BUTT ARM KIT



- Steel arm kit to be used with master carrier on a 2-way track.
- Two kits are needed for a 2-way track.
- Ensures a complete aesthetic curtain finish for a 2-way opening.

Ref: 1780953

Ripplefold Accessories

ONE WAY BUTT ARM



- Steel arms kits to be used with master carrier on one-way tracks with butt arms.
- Extends the folds of any RippleFold to the end of the track, eliminating the need to have a straight fabric effect when installing RippleFold draperies.

Ref: 1782319

SMALL RIPPLE UNDERLAP ARM KIT



- Stainless steel underlap arm with roller wheel to be used the master carrier on 2-way ripple and classic curtain with overlap solution
- Ensures a complete aesthetic curtain finish
- Also available in black [9026935]

Ref: 1782321

SMALL RIPPLE OVERLAP ARM KIT



- Stainless steel overlap arm with roller wheel to be used with a master carrier on 2-way ripple fold and classic curtain with overlap solution
- Ensures a complete aesthetic curtain finish

Ref: 1782320

ADJUSTABLE RIPPLE FOLD ARM



- Provides consistent fabric fold for Ripple fold applications
- To be used with a 90-degree motor adaptor plate [9027179]

Ref: 9027045

90 DEGREE MOTOR ADAPTOR



- Compatible with Glydea and Movelite pulley, provides for 90-degree positioning of the motor, enabling consistent fabric fold
- To be used with the adjustable ripple fold arm kit [9027045]

Ref: 9027179

Brackets

SWIVEL CEILING BRACKET



- Swivel ceiling bracket
- Minimized light gap (2 mm)
- Colour: Zinc plated
- Minimum qty necessary 2.5/m
- Unit weight: 12.5 g
- Also available in black [9026929]

Ref: 1780906

ONE TOUCH CEILING BRACKET



- Ceiling bracket allows for easy positioning of the fixing holes & snap on mounting of the track
- Colour: White
- Minimum qty necessary 2.5/m
- Unit weight: 20 g
- Also available in black [9028544]

Ref: 1780907

ADJUSTABLE WALL MOUNT BRACKET



- Wall mount angle bracket with minimum 100 mm projection & 34 mm extension capability
- To be used with ceiling bracket Ref. 1780906 or Ref. 1780907
- Supplied with the screws to fix one ceiling bracket
- Ceiling brackets sold separately
- Also available in black [9026930]

Ref: 1780909

DOUBLE ADJUSTABLE WALL MOUNT BRACKET



- Wall mount angle bracket with minimum 100 mm projection & 34mm extension capability
- To be used with ceiling bracket Ref. 1780906 or Ref. 1780907
- Supplied with the screws to fix one ceiling bracket
- Ceiling brackets sold separately

Ref: 1780910

CEILING FIXING PLATE



- Ceiling bracket allows for easy positioning & fix the track on the ceiling
- Colour: White
- Minimum qty necessary 0.5p/m
- Unit weight: 20 g

Ref: 1782789

Black Curtain Accessories

ROTATING EYE RUNNER BLACK



- Runner mounted on wheels with rotating eyelet. Cannot be used with ripple fold
- Width: 14 mm
- Max load: 0.5 kg
- Qty: typical 10 per meter
- Unit weight: 3.2 g
- 500 units per bag

Ref: 9026941

HIGH PERF. ROTATING EYE RUNNER BLACK



- Runner mounted on wheels with rotating eyelet. Not to be used with ripple fold
- Qty: Approx. 10 per meter
- Unit weight: 3.2 g
- Also available in white [1781415]

Ref: 9026932

RIPPLE RUNNER 2 1/8" BLACK



- Runner mounted on wheels for 100% fullness ripple curtains
- Cord already snapped on the runner body
- 500 snap penpands supplied
- Width 14 mm / Max. load: 1.5 kg
- Qty Approx. 19/m
- Available in white [1780902]

Ref: 9026938

RIPPLE RUNNER 2 3/8" BLACK



- Runner mounted on wheels for 80% fullness ripple curtains
- Cord already snapped on the runner body
- 500 snap penpands supplied
- Width 14 mm / Max. load: 1.5 kg
- Qty Approx. 17/m
- Available in white [1780903]

Ref: 9026939

ROTATING RIPPLE EYELET RUNNER 60MM BLACK



- Runner mounted on wheels for ripple curtains
- Cord is already snapped on the runner body.
- 500 rotating runner eyelets supplied
- No need to use snap tape
- Available in white [1782310]

Ref: 9028569

SMALL PULLEY BLACK



- Pulley assembly to put opposite the motor side
- Colour: Black
- Hooks sold separately
- Available in white [1782318]

Ref: 9026927

Black Curtain Accessories

PULLEY COVER BLACK



- Spare pulley cover
- Colour: Black
- Unit weight 9.5g
- Also available in white [1780898]

Ref: 9026931

MOTOR HOOK BLACK



- Plastic hook to hang the curtain on the pulleys
- Recommended quantity is minimum 1 for one-way tracks & 2 for two-way tracks. More may be needed
- Available in white [1780895]
- Unit weight: 2.3 g

Ref: 9026928

SWIVEL CEILING BRACKET BLACK



- Swivel ceiling bracket
- Minimized light gap (2mm)
- Colour: Black
- Minimum qty necessary 2.5/m
- Unit weight: 12.5 g
- Also available in Zinc plated [1780906]

Ref: 9026929

ONE TOUCH CEILING BRACKET BLACK



- Ceiling bracket allows for easy positioning of the fixing holes & snap on mounting of the track
- Minimum qty necessary 2.5/m
- Unit weight: 20 g
- Also available in white [1780907]

Ref: 9028544

ADJUSTABLE WALL MOUNT BRACKET BLACK



- Wall mount angle bracket with minimum 100mm projection & 34mm extension capability
- To be used with ceiling bracket Ref. 9026931 or Ref. 9028544
- Supplied with the screws to fix one ceiling bracket
- Ceiling brackets sold separately
- Also available in white [1780909]

Ref: 9026930

SMALL RIPPLE UNDERLAP ARM KIT BLACK



- Underlap arm with roller wheel to be used the master carrier on 2-way ripple and classic curtain with overlap solution
- Ensures a complete aesthetic curtain finish
- Also available in white [1782321]

Ref: 9026935

Black Curtain Accessories

RIPPLE MOTOR HOOK BLACK



- Plastic hook with a female snaps to use for ripple curtains
- Colour: Black
- Also available in white [1780905]

Ref: 9026940

DRIVE PULLEY BLACK



- Pulley Assembly to use on the motor side
- Colour: Black
- Unit weight: 73g
- Hooks sold separately
- Also available in white [1780945]

Ref: 9026933

HEAVY DUTY STRAIGHT ARM BLACK



- Arm is screwed onto a master carrier on 2-way track
- Used for a ripple curtain when an overlap solution is needed
- Also available in white [1780946]

Ref: 9026936

HEAVY DUTY OVERLAP ARM KIT BLACK



- Overlap with roller wheel.
- Used with a master carrier on 1-way ripple curtain with overlap
- Also available in white [1780947]

Ref: 9026937

Wirefree Curtain Motor Chargers

MOVELITE 35 WF RTS AU PLUG



- White USB AU Plug
- Compatible with Movelite 35 RTS WF [1241139]
- 3m charging cable not included (charging cable is included in motor box [1241139])
- Charge time 6 hours

Ref: 9028483

IRISMO 45 WF RTS CHARGER (OBSOLETE)



- Charging time < 6 hrs
- Colour: White
- Cable length: 3.93m

Ref: 9026468

Spare Parts, Accessories And Installation Tools

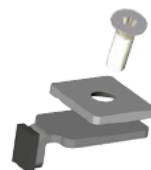
TOP MOUNT KIT GA



- Kit of accessories to enable upside down installation

Ref: 1780908

PULLEY STOPPER ASSEMBLY GA



- Spare pulley stopper assembly as a kit
- Unit weight: 5g

Ref: 1780954

PULLEY COVER GA



- Spare pulley cover
- Colour: White
- Unit weight 9.5g
- Also available in black [9026931]

Ref: 1780898

GLYDEA DCT DATA CABLE (2.5M)



- Wire 2.5m cable with RJ12 plug to use during the installation in combination with a DCT setting tool [9014599]

Ref: 9015443

GLYDEA ULTRA RS485 MODULE



- A RS485 module is adaptable to the Glydea Ultra DCT or Glydea Ultra RTS only. The RS485 module allows for bi-directional communication applications

Ref: 1870275

DRY CONTACT SETTING TOOL



- A DCT setting tool is required to complete the control settings (ie: Set limits, control and reset)
- Data cable sold separately [9015443]

Ref: 9014599



Make the move

About Somfy

For more than 50 years, Somfy has been driving durable positive motion as a pioneer in window and door automation. Developed with comfort, ease of use, security and sustainability in mind, our seamless and connective solutions are designed to help people make the move to living spaces impactful for humans and with a reduced impact on nature.

A BRAND OF **SOMFY** GROUP

Somfy Pty Limited Australia

Toll Free 1800 076 639
t: 02 8845 7200
e: somfy.au@somfy.com
somfy.com.au

New Zealand

Toll Free 0800 276 639
e: somfy.nz@somfy.com
somfy.co.nz

 Find us on Facebook

 Follow us on Instagram

 Follow us on Pinterest

 Follow us on YouTube