

Smooove Uno/Duo WT

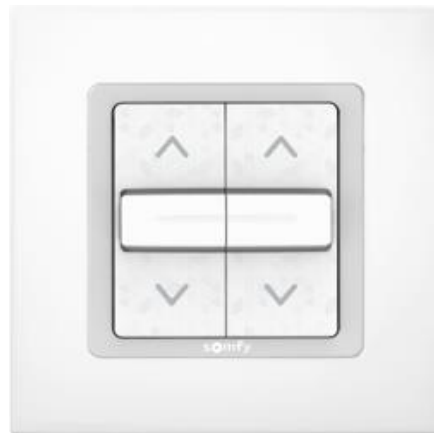
230V Mechanical switches

The sleek wall mounted control suitable for Wired WT motors

PRODUCT MAIN FUNCTIONALITIES



Smooove Uno WT



Smooove Duo WT



Dynamic and versatile (compatible with 7 different coloured frames)



Available in Fixed or Momentary position



3 macro functions (Up, Stop & Down)



45mm Surface Mount Box available (sold separately)



Streamlined design across the Somfy Smooove controls range



COMPATIBLE END PRODUCTS



Roller Blinds



Curtain



Projection Screens



Awning



Roller Shutters

BENEFITS FOR PROFESSIONALS

Adaptable

- Choice of single or duo-channel control, to suit all configurations of installations with the same design
- Surface Mount Box (45mm) available (sold separately)
- Each switch comes with a Pure frame and Bezel in the box
- Choice in ergonomic positional control; fixed position or Momentary position.

Reliable Features

- An instinctive ergonomic design to easily promote to the end users
- A range of frames to suit all decor

BENEFITS FOR END USERS

Aesthetic

- The choice of multiple frame colours to suit all home styles
- The timeless design and its consistency with the rest of the Smoove range

Easily controllable

- Reliable and intuitive control to individually to manage your applications

PRODUCT CODES

Code	Description	Channels	Ergonomic Position
1800508	Smoove Uno WT FP (includes Pure Frame)	1	Fixed Position (FP)*
1800509	Smoove Uno WT MP (includes Pure Frame)	1	Momentary Position (MP)*
1800506	Smoove Duo WT FP (includes Pure Frame)	2	Fixed Position (FP)*
9019971	Smoove Surface Mounted Box (45mm)		Not Applicable

*Pure Frame, Mounting claws and screws included in kit.

Ergonomic Position	Explanation
Fixed Position (FP)	A simple press on the switch will move the application up or down. To stop the product a simple push on the button will stop the action
Momentary Position (MP)	To move the application, continuous compression on the switch is required

TECHNICAL DATA

Supply	230V
Index Protection Rating	IP20
Colour	White
Temperature Working Range	-5°C to +40°C
Somfy Technology	WT
Rated Current	6 A

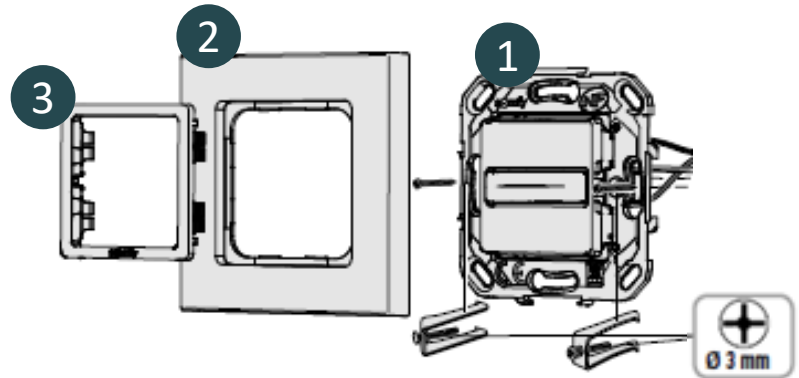
DIMENSIONS

Switch with Frame	80mm x 80mm
Switch without Frame	50mm x 50mm
Surface Mount Box	82mm x 44mm x 54mm

INSTALLATION TIP

(Installation by a licensed electrician only)

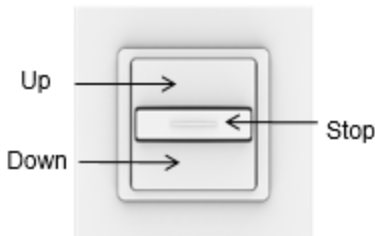
- Once you have connected wires to the switch (refer to installation manual);
- 1.) Secure the switch to the wall
 - 2.) Place the frame onto the switch connector board
 - 3.) Press and clip the bezel onto the front of the frame.



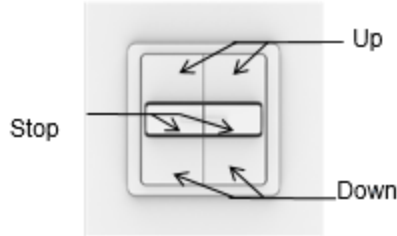
Mounting claws and screws included in the box

OPERATIONAL INSTRUCTIONS

Smoove Uno WT



Smoove Duo WT



COMPATIBLE WALL MOUNT FRAMES

Code	Description
9015022	SMOOVE PURE FRAME
9015025	SMOOVE SILVER FRAME
9015023	SMOOVE BLACK FRAME
9015238	SMOOVE DOUBLE PURE FRAME
9015027	SMOOVE LIGHT BAMBOO FRAME
9015026	SMOOVE AMBER BAMBOO FRAME
9015236	SMOOVE CHERRY FRAME
9015237	SMOOVE WALNUT FRAME

