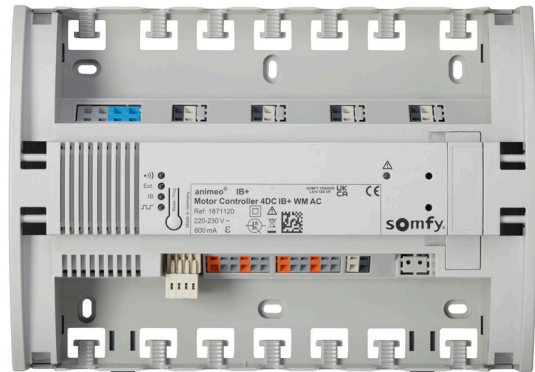


animeo

# Motor Controller 4DC IB+ WM AC

Ref. 1871120



## OVERVIEW

Motor Controller for interior roller blinds and interior Venetian blinds. To individually control up to four 24 V DC motors via local push buttons or in groups with any IB/IB+ controlling technology. Available in wall-mounted version (WM).

## INSTALLATION FEATURES

- > Integrated 24 V DC power supply.
- > Commissioning in combination with the animeo IB/IB+ Building Controller (animeo IB+ TouchBuco).
- > Spring connectors and tension relief with cable ties for safer and quicker installation.
- > Status feedback through LEDs.
- > Indication in case of overload.

## FUNCTIONAL FEATURES

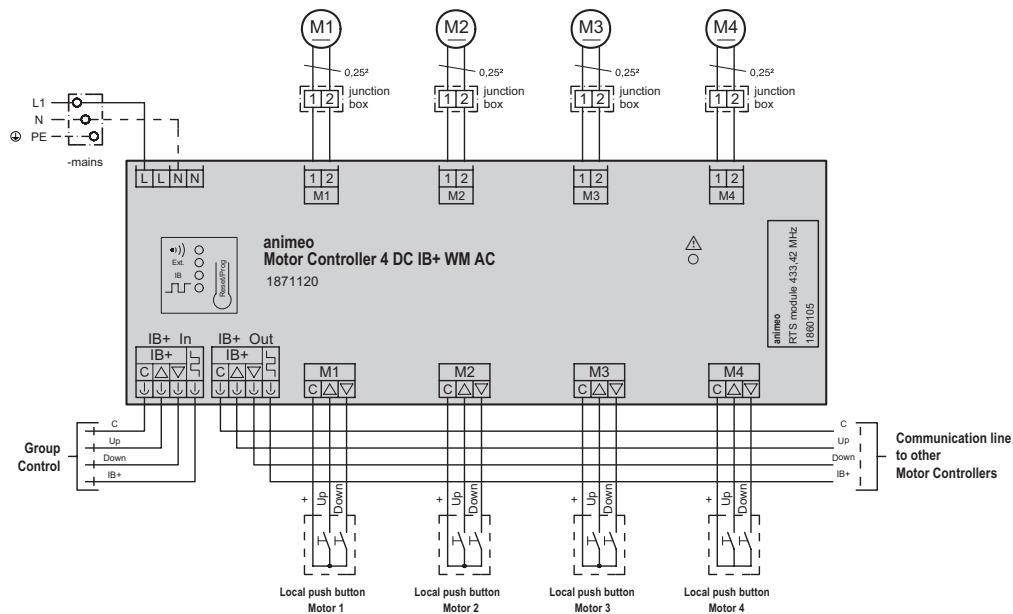
- > Intelligent switching between manual and automatic operation to guarantee excellent user-friendliness and energy savings.
- > Local setting of an intermediate position ("my" position) and of user ergonomics.
- > When using Somfy LV and LW25 motors: Configurable turning speed of the slats for optimum user ergonomics (via animeo IB+ TouchBuco).
- > When using the Somfy TLW25 WT motor: The configurable turning speed of the slats must be set to 100 % to ensure the correct turning angle of the slats (via animeo IB+ TouchBuco)
- > Enables very precise slats orientation and/or load bars alignment.
- > Upgradable at any time for local controlling through radio Somfy RTS or EnOcean technology.

## WHAT'S IN THE BOX

- > Motor Controller 4DC IB+ WM AC
- > Safety guide

## OPTIONAL ACCESSORIES

## WIRING DIAGRAM



## CHARACTERISTICS

Motor Controller 4 DC IB+ WM AC	Ref. 1871120
Supply voltage	220 - 230 V AC / 50/60 Hz ~
Max rated current	0.6 A
Stand-by current (IEC 62301)	17 mA@230 V AC
Stand-by power (IEC 62301)	0.49 W@230 V AC
Supply voltage group control input	SELV, 16 V DC ===
Supply voltage local push buttons	SELV, 16 V DC ===
Max. motor current consumption	4 x 0.6 A@24 V DC; max. 1 motor per output
External overcurrent protection	16 A fuse required
Outputs	Short circuit protected
Without contact gap	Semiconductor switching device: ε
Terminals	Spring connectors
Running time per output	Max. 5 minutes
Operating temperature	- 5° C ... + 50° C
Relative humidity	Max. 85 %
Material of housing	PC-ABS
Housing dimensions (w x h x d)	180 x 255 x 61 mm
Weight	745 g
Protection class	II □
Degree of protection	IP 20
Overvoltage category	III
Pollution degree	2
Conformity	www.somfy.com/ce

20240130

