



**animeo®**

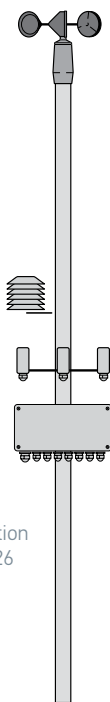
# Sensor Station

# Sensor Station extended

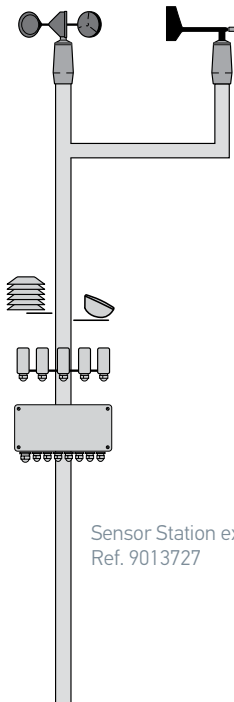
Gebrauchsanweisung  
Installation guide  
Asennusohjeet

Notice d'installation  
Guida all'installazione  
Montagehandleiding

Installasjonsanvisninger  
Installationsanvisningar



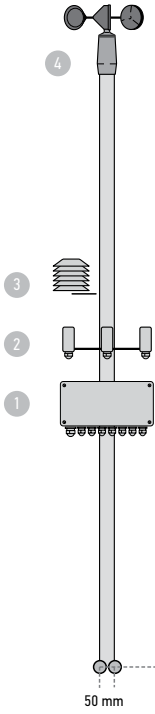
Sensor Station  
Ref. 9013726



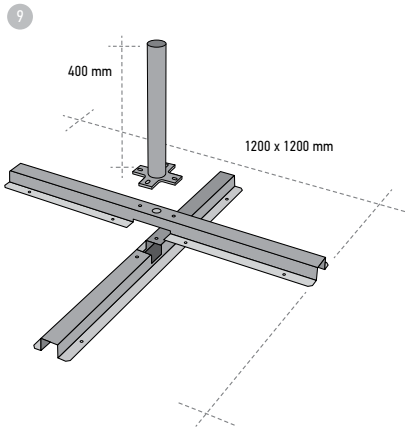
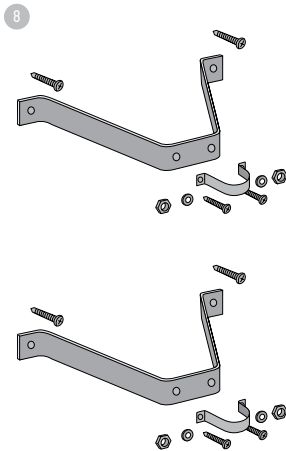
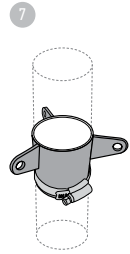
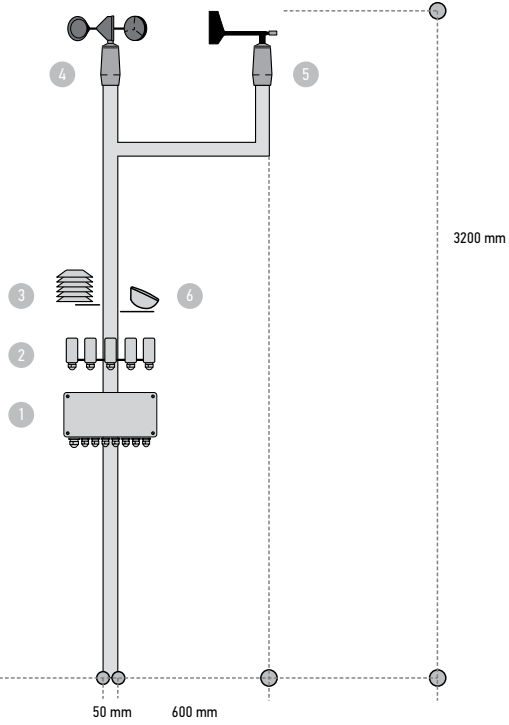
Sensor Station extended  
Ref. 9013727

# A

[1]

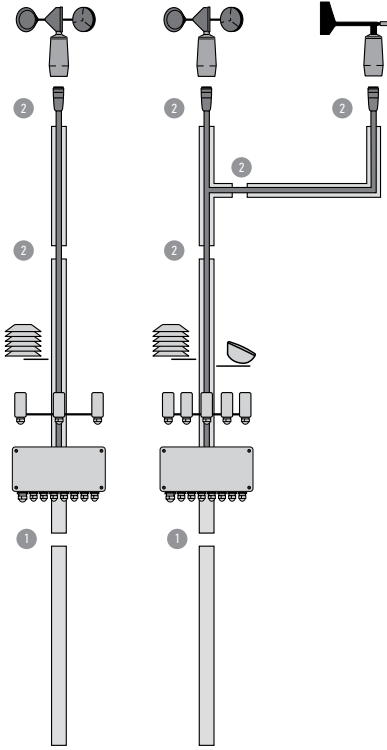


[2]

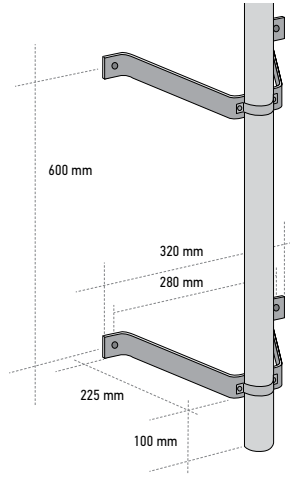


# B

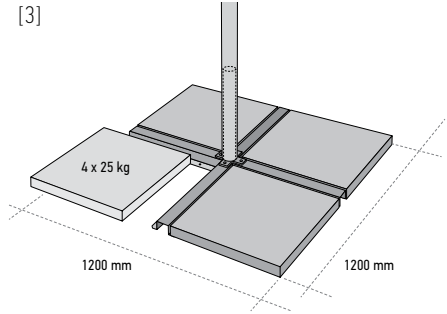
[1]



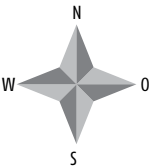
[2]



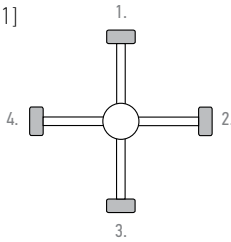
[3]



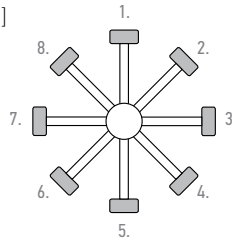
# C



[1]



[2]



[3]

Outside Sensor Box	1.	2.	3.	4.	5.	6.	7.	8.
Sensor Station	N	O	S	W				
Sensor Station extended	N	NO	O	SO	S	SW	W	NW

## DE

### A ABBILDUNGEN

- [1] Sensor Station
- [2] Sensor Station extended
  1. Outside Sensor Box
  2. Sonnensensor
  3. Sensor für Außentemperatur
  4. Windsensor
  5. Windrichtungssensor
  6. Regensensor
  7. Befestigungsring für Abspannseil
  8. Wandhalterung
  9. Standfuß

### B MONTAGE

- [1] Aufbau der Sensor Station:
    1. Zusammenstecken
    2. Kabel durchziehen und zusammenstecken
- Wahl des richtigen Montageorts mit ausreichendem Platz
- [2] Wandmontage
  - [3] Standmontage/Flachdachmontage

### C Ausrichtung/VERDRAHTUNG

- [1] Sensor Station nach Norden
- [2] Sensor Station extended nach Norden
- [3] Sonnensensoren verdrahtet auf die Outside Sensor Box

## EN

### A PICTURES

- [1] Sensor Station
- [2] Sensor Station extended
  1. Outside Sensor Box
  2. Sun sensor
  3. Outside temperature sensor
  4. Wind sensor
  5. Wind direction sensor
  6. Rain sensor
  7. Strain connection for guy wire
  8. Wall mounted bracket
  9. Pedestal for roof mounting

### B MOUNTING

- [1] Construction of the sensor station:
    1. Connection
    2. Pull through cable and assemble the parts of the mast
- Choose the optimal location with sufficient area
- [2] Wall fixing
  - [3] Floor mounting/Flat roof mounting

### C ALIGNMENT/WIRING

- [1] Sensor Station to the North
- [2] Sensor Station extended to the North
- [3] Sun sensors wired up on the Outside Sensor Box

## FI

### A KUVAT

- [1] Sensor Station
- [2] Sensor Station extended
  1. Ulkosensorikotelo
  2. Aurinkosensori
  3. Ulkolämpötilasensori
  4. Tuulisensori
  5. Tuulen suunnan sensori
  6. Sadesensori
  7. Tukivajjerin kiinnike
  8. Seinäkiinnike
  9. Kattoasennusjalusta

### B ASENNUS

- [1] Sääaseman kokoonpano:
    1. Liitos
    2. Pujota kaapeli ja aseta osat mastoon
- Valitse soveltuva kiinnitystapa
- [2] Seinäasennus
  - [3] Lattia/kattoasennus

### C ANTURIJÄRJESTYS/KAAPELOINTI

- [1] Sensor Station pohjoiseen
- [2] Sensor Station extended pohjoiseen
- [3] Aurinkosensorien kytkentäjärjestys ulkosensorikoteloon

## FR

### A IMAGES

- [1] Sensor Station
- [2] Sensor Station extended
  1. Boîtier capteur extérieur
  2. Capteur solaires
  3. Capteur de température extérieur
  4. Capteur vent
  5. Capteur direction vent
  6. Capteur pluie
  7. Accessoire fixation hauban
  8. Accessoire montage mural
  9. Pied de fixation

### B MONTAGE

- [1] Montage de la station météo:
    1. Câblage
    2. Paire passer le câble et assembler les différentes parties du mât
- Choisir le meilleur emplacement avec espace suffisant
- [2] Fixation murale
  - [3] Montage au sol

### C ORIENTATION/CÂBLAGE

- [1] Sensor Station  
Comment positionner les capteurs/nord
- [2] Sensor Station extended  
Comment positionner les capteurs/nord
- [3] Câblage capteurs sur boîtiers

## IT

### A DESCRIZIONE DEL PRODOTTO

- [1] Sensor Station
- [2] Sensor Station extended
  1. Interfaccia sensori esterni
  2. Sensore solare
  3. Sensore di temperatura esterna
  4. Sensore del vento
  5. Sensore direzione vento
  6. Sensore della pioggia
  7. Raccordo
  8. Supporto montaggio a muro
  9. Staffa per fissaggio per tetti

### B MONTAGGIO

- [1] Assemblaggio stazione sensori:
    1. Cablaggio centralina
    2. Inserimento del cablaggio e assemblaggio palo di sostegno
- Scegliere il luogo più adatto per il montaggio
- [2] Fissaggio a muro
  - [3] Base di montaggio per fissaggio su tetto

### C ORIENTAMENTO/CABLAGGIO

- [1] Sensor Station a nord
- [2] Sensor Station extended a nord
- [3] Sensore solare collegato all'interfaccia sensori esterni

## NL

### A AFBEELDING

- [1] Sensor Station
- [2] Sensor Station extended
  1. Outside Sensor Box
  2. Zonnecel
  3. Buitentemperatuursensor
  4. Windpulsgenerator
  5. Windrichting meter
  6. Regensensor
  7. Klem voor bevestiging van tui draden
  8. Muurbeugels
  9. Montagevoet voor bevestiging op het dak

### B MONTAGE

- [1] Schema van het weerstation:
    1. Montage muurbeugels
    2. Voer de kabels door en stel de mast samen
- Kies de juiste plaats met voldoende ruimte
- [2] Muur bevestiging
  - [3] Vloer montage/Plat dak montage

### C UITLIJNEN/BEDRADING

- [1] Sensor Station naar het Noorden richten
- [2] Sensor Station extended naar het Noorden richten
- [3] Aansluitvolgorde van de zonnecellen in de Outside Sensor Box

## NO

### A BILDER

- [1] Sensor Station
- [2] Sensor Station extended
  1. Outside Sensor Box
  2. Sol sensor
  3. Utendørs temperatur sensor
  4. Vind sensor
  5. Vind retning sensor
  6. Regnsensor
  7. Feste for sikkerhets wire
  8. Vegg brakett
  9. Brakett for tak montering

### B MONTERING

- [1] Konstruksjon av sensor station:
    1. Tilkobling
    2. Trekk inn kabler og monter deler av masten
- Velg riktig plassering og god plass
- [2] Veggmontering
  - [3] Gulv montering/Flatt tak montering

### C ALLOKERING/KABLING

- [1] Sensor Station til Nord
- [2] Sensor Station extended til Nord
- [3] Sol sensor kablet opp til Outside Sensor Box

## SE

### A BILDER

- [1] Sensor Station
- [2] Sensor Station extended
  1. Sensorbox utomhus
  2. Solsensor
  3. Temp.sensor ute
  4. Vindsensor
  5. Vindriktningsgivare
  6. Regnsensor
  7. Montagekrage för stödvajrar
  8. Väggekonsoler
  9. Takfäste

### B INSTALLATION

- [1] Sensorstationens konstruktion:
    1. Anslutning
    2. Dra kablar genom rören och montera ihop masten
- Välj lämplig placering med fri vind och utan skugga under dagen.
- [2] Väggmontage
  - [3] Takmontage

### C ORIENTERING/KABLAGE

- Montera mastens sol och vindriktningssensorer i korrekt kompassriktning.
- [1] Sensor Station mot norr
  - [2] Sensor Station extended mot norr
  - [3] Solsensoremas montering och anslutning i sensorboxen





**Somfy**

50 avenue du Nouveau Monde

74300 Cluses

France

T +33 (0)4 50 96 70 00

F +33 (0)4 50 96 71 89

**[www.somfy.com/projects](http://www.somfy.com/projects)**



100 % recycled paper