

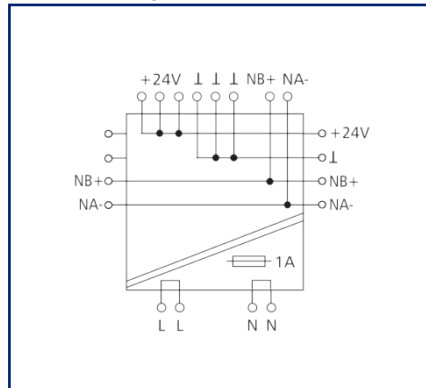
Data sheet

Power supply NG4-F 24 V DC

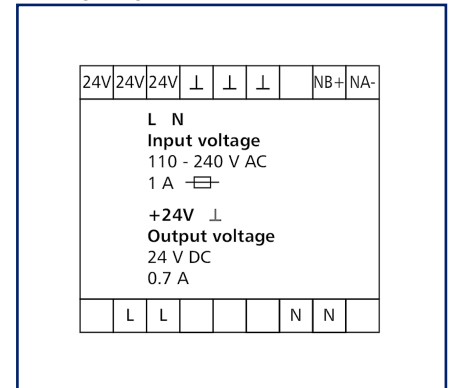
Illustrations



Principle diagram



Wiring diagram



See enlarged drawings at the end of document

Product specification

The NG4-F power supply supplies a regulated direct voltage of 24 V DC / 16 W for supplying power to the respective devices of the product family of I/O components. The secondary voltage can only be tapped at the right side of the device front at a pluggable terminal block and at the spring clamp terminal blocks. The bus communication can be tapped on both sides of the device front. A parallel operation of various power supply units is not allowed. Suitable for decentralized mounting on DIN TH35 rail according to IEC 60715 in electrical distribution cabinets.

- Connection with spring clamp terminal blocks (push-in)

Technical Data

General information	
	for I/O components of the series LON (LF-xxx), BACnet (BMT-xxx), Modbus (MR-xxx)
Inputs	
Voltage range	110 - 240 V AC, 47 - 63 Hz
Contact fuse	internal T 1,0 AL/250 V, soldered fuse
Outputs	
Output voltage	24 V DC (SELV)
Output current (max.)	700 mA
Output power	16 W
Load and control accuracy	+/- 3 %, Tu = 20° C
Protection and monitoring	
Permanently short-circuit proof	yes
Open-circuit proof	yes
Mains failure backup	< 40 ms at 230 V AC and full load
Electric strength	4000 V AC input/output
Device safety/EMC	
Output	safety extra-low voltage (SELV) according to EN 62368-1
Protection class	2
Housing	
Dimensions	
Dimension (W x H x D)	50 mm x 69.3 mm x 60 mm
Dimension (W x H x D)	1.969 in. x 2.728 in. x 2.362 in.
Weight	108 g
Mounting style	Standard rail TH35
Mounting position	any
Apposition	without distance
Connection type	Spring clamp terminal blocks
Indicator	green LED

Technical Data

Terminal blocks	
Supply and bus	
Terminal block	4-pole
Solid wire (AWG)	max. 1.5 mm ² / max. 16 AWG
Stranded wire (AWG)	max. 1 mm ² / max. 18 AWG
Wire diameter	max. 1.4 mm - min. 0.3 mm
Module connection	
Wire cross section solid	0.2 mm ² - 2.5 mm ² / AWG 24-14
Wire cross section multi	0.25 mm ² - 2.5 mm ² / AWG 24-12
Wire cross section with wire ferrule	0.25 mm ² - 1.5 mm ² / AWG 24-16
Stripping length (min.)	8 mm
Material	
Material - Housing	Polyamid 6.6 V0
Color	gray
Material - Terminal block	Polyamid 6.6 V0
Material - Covers	Polycarbonat
Protection category according to IEC 60529	
Protection category - housing (acc. to IEC 60529)	IP40
Protection category - terminal blocks (acc. to IEC 60529)	IP20
Temperature range	
Operating	
Temperature - Operating °C	-10 °C - 55 °C
Temperature - Operating °F	14 °F - 131 °F
Storage	
Temperature - Storage °C	-25 °C - 85 °C
Temperature - Storage °F	-13 °F - 185 °F

Technical Data

Classifications

ETIM 7.0 EC000675

ETIM 8.0 EC000675

ETIM 9.0 EC000675

Software and additional documents

Software and documentation

Further documentation is available for free download at www.metz-connect.com



Accessories from

P/N	Designation
1105560170	S0/M-F DT
11055670	S0/M-F 4
11056270	T/M-F 4
110570132170	FRAS-F 4/21 24 V AC/DC CAN
110573130270	FAA-F 4 24 V AC/DC CAN
110574130670	FAE-F 4 24 V AC/DC CAN
110575131970	FDE-F 4 24 V AC/DC CAN
1108111326IP	MB-DIO2/1-IP Modbus/BACnet 24V AC/DC
1108121326IP	MB-DIO4/2-IP Modbus/BACnet 24V AC/DC
11083001	MR-GW Modbus RTU / Modbus TCP Gateway
1108300170	MR-F-GW Modbus RTU / Modbus TCP Gateway
1108301370	MR-F-TO4 Modbus RTU
110831131970	MR-F-DI10 Modbus RTU
1108321370	MR-F-AI8 Modbus RTU
11083313260170	MR-F-DIO4/2S Modbus RTU
110833132670	MR-F-DIO4/2 Modbus RTU
110834131970	MR-F-DI4 Modbus RTU
110835130270	MR-F-AO4 Modbus RTU
11083613210170	MR-F-DOA4 Modbus RTU
110836132170	MR-F-DO4 Modbus RTU
110837130270	MR-F-AOP4 Modbus RTU
1108381370	MR-F-TP Modbus RTU
1108391370	MR-F-SI4 Modbus RTU
110840133270	MR-F-CI4 Modbus RTU
1108411370	MR-F-SM3 Modbus RTU
1108441370	MR-F-LD6 Modbus RTU
110850131970	LF-F-DI4 LON
110851131970	LF-F-DI10 LON
110852132170	LF-F-DO4 LON
1108531370	LF-F-AI8 LON
1108541370	LF-F-AOP4 LON

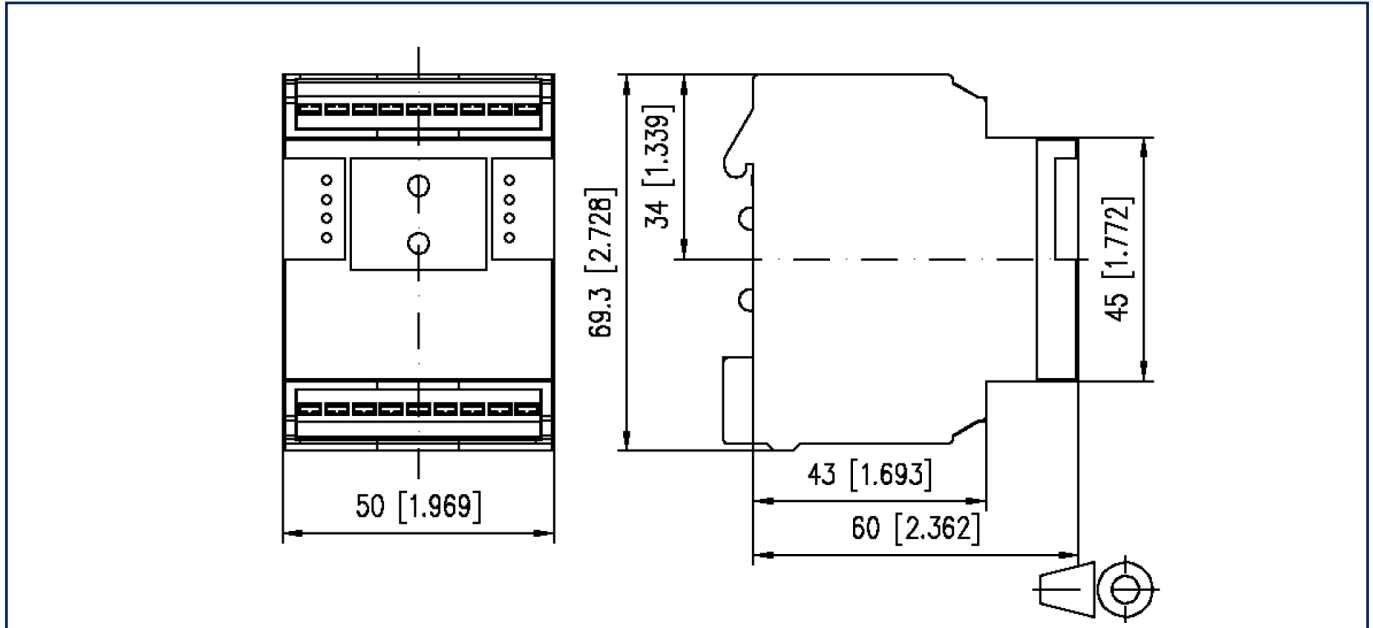
Accessories from

110855132670	LF-F-DIO4/2 LON
110856132670	LF-F-DM4/4 LON
1108571370	LF-F-AM2/4 LON
1108581370	LF-F-SI4 LON
1108591370	LF-F-TP LON
110860133270	LF-F-CI4 LON
1108621370	LF-F-TO4 LON
1108631370	LF-F-DI230 LON
1108791370	LF-F-FAM LON
11088001	BMT-RTR BACnet-Router
1108800170	BMT-F-RTR BACnet-Router
1108801370	BMT-F-TO4 BACnet MS/TP
110881131970	BMT-F-DI10 BACnet MS/TP
1108821370	BMT-F-AI8 BACnet MS/TP
110883132670	BMT-F-DIO4/2 BACnet MS/TP
110884131970	BMT-F-DI4 BACnet MS/TP
110885130270	BMT-F-AO4 BACnet MS/TP
110886132170	BMT-F-DO4 BACnet MS/TP
110887130270	BMT-F-AOP4 BACnet MS/TP
1108881370	BMT-F-TP BACnet MS/TP
1108891370	BMT-F-SI4 BACnet MS/TP
110890133270	BMT-F-CI4 BACnet MS/TP

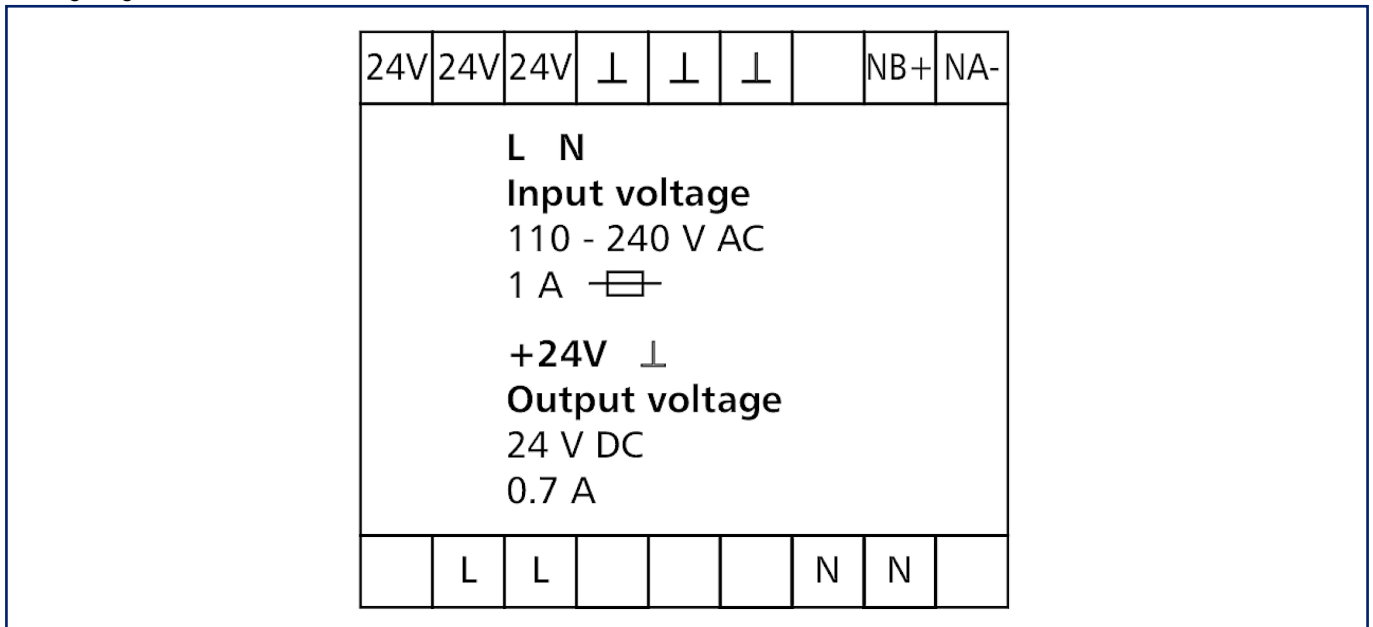


Illustrations

Dimensional drawing



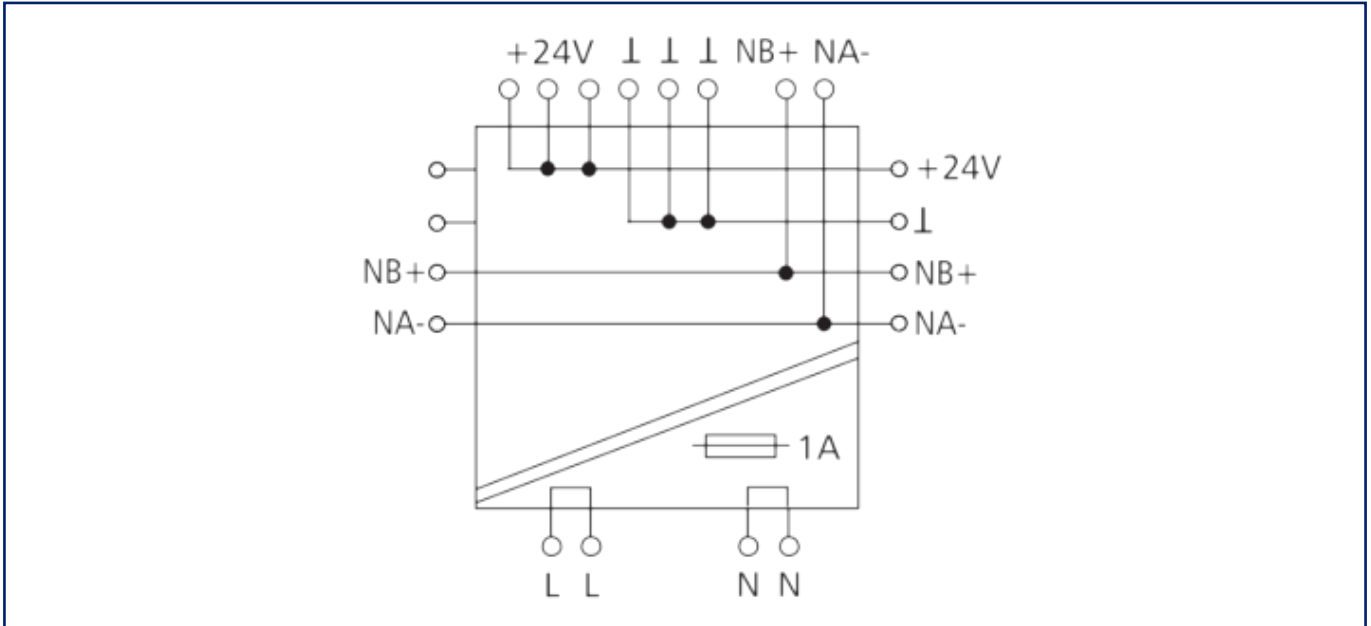
Wiring diagram



© 2023 METZ CONNECT - Technische Änderungen vorbehalten! Subject to modifications! Sous réserve de modifications techniques!

Illustrations

Principle diagram



© 2023 METZ CONNECT - Technische Änderungen vorbehalten! Subject to modifications! Sous réserve de modifications techniques!