

Smoove Uno IB+

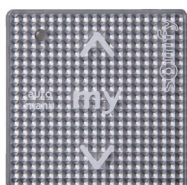
| animeo Solo

| **animeo IB+**

| animeo KNX

| animeo LON

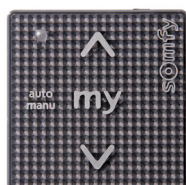
SOLUTIONS FOR COMMERCIAL BUILDINGS



Ref. 1811204



Ref. 1811203



Ref. 1811205

Product which includes a user interface and a motor controller to control solar shadings and windows.

For the individual controlling of 1 x 230 V AC motors via sensitive touch, or in groups via Somfy IB or animeo IB+ controlling technology.

Available in three colours: Silver Shine, White Shine, Black Shine.

Installation advantages

- > Designed for standard flush-socket installation.
- > Fits in standard 50 x 50 mm frames.
- > Only one product to install as it includes the user interface and the motor controller
- > Cover plate and frame can be fixed at the end of installation in order to avoid damage.

Functional advantages

- > Via touch-sensitive controls users can locally control solar shadings and overwrite automatic operation.
- > Feedback of active status through LED on the device (such as security lock).
- > The product enables optimized adjustment of the shading - depending on the type of solar shading installed - to the desired position.
- > A favorite shading position can be defined with "my" button.

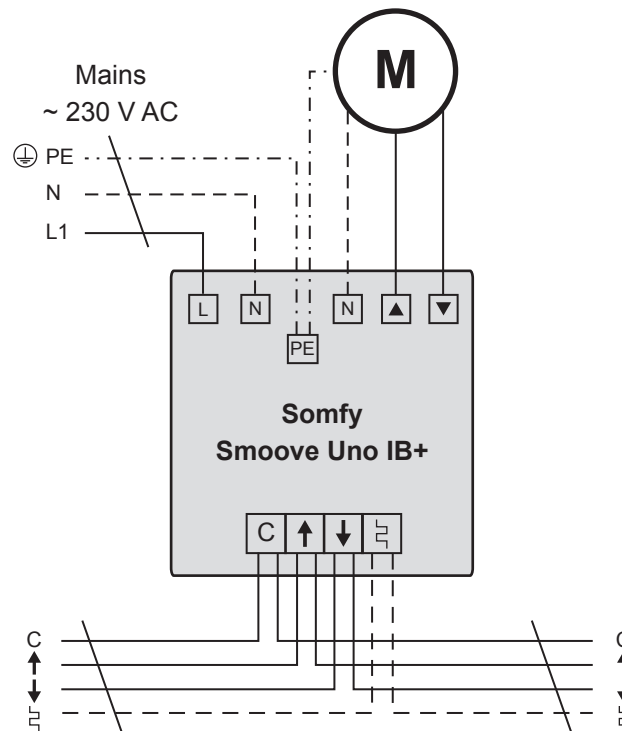
Wiring

Connection	Cables	Twisted pairs	Max. distance
Motors	Min.: 4 x 0.75 mm ² /18 AWG Max.: 4 x 2.5 mm ² /14 AWG	—	150 m
IB+ bus	Min.: 4 x 0.6 mm/22 AWG Max.: 4 x 1.5 mm ² /16 AWG	Recommended	1000 m
220-230 V AC	Min.: 3 x 1.5 mm ² /16 AWG Max.: 3 x 2.5 mm ² /13 AWG	—	

Classification

The Smoove Uno IB+ is an electronically and manually-operated, independently-mounted control.

- Class A control function
- Type 1 action
- Pollution degree: 2
- Rated impulse voltage: 4 kV
- Temperature of the ball hardness test: 75 °C
- Type X attachment
- Method of attachment for non-detachable cords: screwless spring terminal
- EMC emission test: $U_{AC} = 230 \text{ V AC}$ $I_{AC} = 0.5 \text{ A}$
(EN 55022 Class B emission)



CHARACTERISTICS

Supply voltage	220-230 V AC / 50 Hz
Stand-by current (IEC 62301)	< 2.5 mA @ 230 V AC
Stand-by power (IEC 62301)	< 0.5 W @ 230 V AC
Max. motor current consumption	1 x 3.0 A, $\cos \varphi = 0.95$
Supply voltage of group control input	SELV, 16 V DC =
Terminals	Screw connectors
Running time per output	Max. 3 minutes
Operating temperature	0°C to 40°C
Relative humidity	85%
Material of housing	PC-ABS polycarbonate
Housing dimensions (w x h x d)	71 x 71 x 44 mm
Degree of protection	IP 20
Protection class	I (looped through PE connection - depending on the installation)
Conformity	www.somfy.com/ce