

4 AC Motor Controller WM/DRM 220–240 V AC

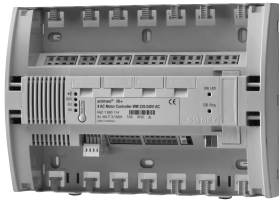
animeo Solo

animeo IB+

animeo KNX

animeo LON

SOLUTIONS FOR BUILDING CONTROL



Ref. 1860049 (WM)



Ref. 1860081 (DRM)

Motor controller for roller shutters, screens, exterior Venetian blinds and windows openers.

To individually control up to four 230 V AC motors via local push buttons or in groups with IB+ Controlling Technology.

Available in two versions: wall-mounted (WM) and Din-rail installation (DRM).

Installation advantages

- > Easy and quick commissioning in combination with the animeo IB+ Building Controller.
- > Spring connectors and tension relief with cable ties for safer and quicker installation.
- > Status feedback through LEDs.
- > Easily accessible safety fuses per output.

Functional advantages

- > All windows can be managed independently from each other.
- > Intelligent switching between manual and automatic operation to guarantee excellent user-friendliness and energy savings.
- > Local setting of an intermediate position and of user ergonomics.
- > Upgradable at any time for local controlling through radio Somfy RTS or EnOcean technology.

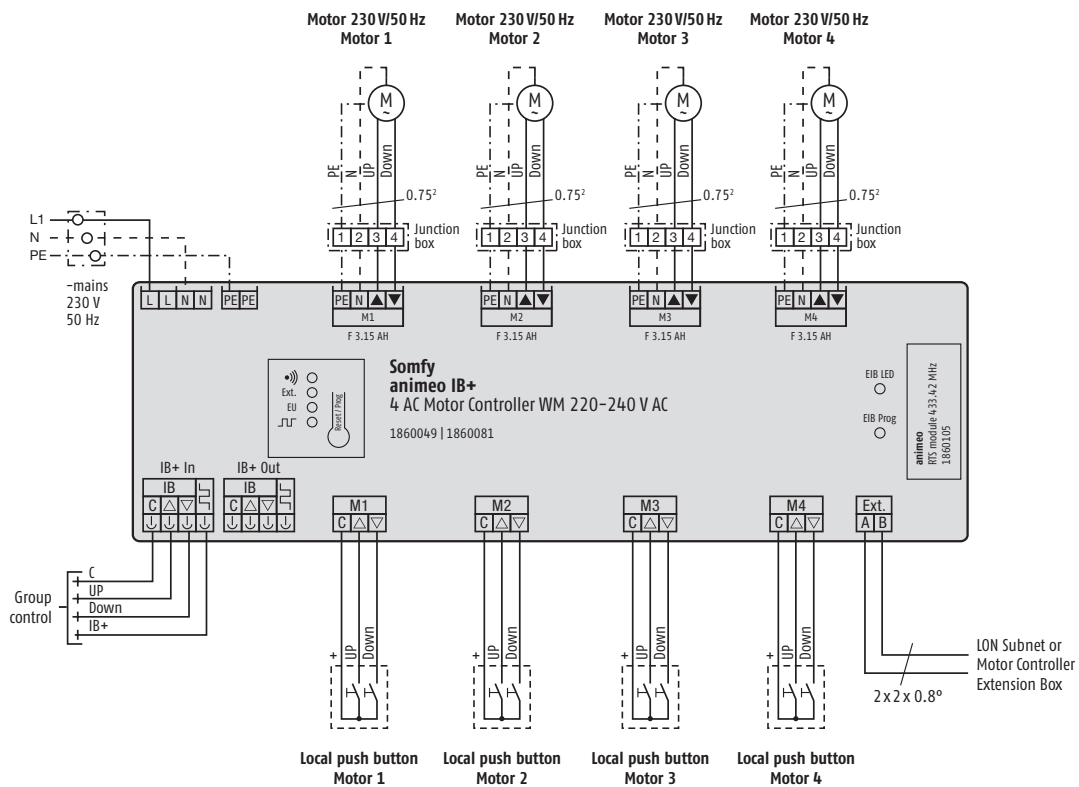
Wiring

Connection	Cables	Twisted pairs	Max. distance
Motors	Min.: 4 x 1.5 mm ² /16 AWG Max.: 4 x 2.5 mm ² /13 AWG	–	150 m
Motor Controller Extensions	Min.: 2 x 0.6 mm ² /19 AWG Max.: 2 x 2.5 mm ² /13 AWG	Required	50 m
Switches	Min.: 3 x 0.6 mm ² /19 AWG Max.: 3 x 2.5 mm ² /13 AWG	Recommended	100 m
IB+ bus	Min.: 4 x 0.6 mm ² /19 AWG Max.: 4 x 1.5 mm ² /16 AWG	Recommended	1000 m
220–240 V AC	Min.: 3 x 0.75 mm ² /16 AWG Max.: 3 x 2.5 mm ² /13 AWG	–	

Classification

The Motor Controller is an electronically and manually-operated, independently-mounted control.

- Class A control function
- Type 1 action
- Pollution degree: 2
- Rated impulse voltage: 4 kV
- Temperature of the ball hardness test: 75 °C
- Type X attachment
- Method of attachment for non-detachable cords: screwless spring terminal
- EMC emission test: $U_{AC} = 230 \text{ V AC}$ $I_{AC} = 0.5 \text{ A}$
(EN 55022 Class B emission)



CHARACTERISTICS

	WM Ref. 1860049	DRM Ref. 1860081
Supply voltage	220-240 V AC / 50/60 Hz	220-240 V AC / 50/60 Hz
Stand-by power (IEC 62301)	< 0,5 W	< 0,5 W
Max. motor current consumption	4 x 3.0 A, $\cos \varphi = 0.95$	4 x 3.0 A, $\cos \varphi = 0.95$
Supply voltage of group control input	SELV, 16 V DC =	SELV, 16 V DC =
Supply voltage of local push buttons	SELV, 16 V DC =	SELV, 16 V DC =
Fuse for all outputs	4 x F 3.15 AH	4 x F 3.15 AH
Terminals	Spring connectors	Spring connectors
Running time per output (relay contact)	Max. 5 minutes	Max. 5 minutes
Operating temperature	0 °C to 45 °C	0 °C to 45 °C
Relative humidity	85 %	85 %
Material of housing	CC-ABS polycarbonate	CC-ABS polycarbonate
Housing dimensions (w x h x d)	180 x 255 x 63 mm	90 x 210 x 63 mm (12 TE)
Weight	710 g	370 g
Degree of protection	IP 20	IP 00
Protection class	II, corresponding to the installation	II, corresponding to the installation
Conformity	www.somfy.com/ce	www.somfy.com/ce