

4 DC 2A Motor Controller WM 24 V DC

animeo Solo

animeo IB+

animeo KNX

animeo LON

SOLUTIONS FOR BUILDING CONTROL



Ref. 1860085

Motor controller for interior blinds, interior Venetian blinds and window openers.

To individually control up to four 24 V DC motors via local push buttons or in groups with IB+ Controlling Technology.

Available in wall-mounted version (WM).

External 24 V DC power supply (ref. 1860093) required.

Installation advantages

- > Easy and quick commissioning in combination with the animeo IB+ Building Controller.
- > Spring connectors and tension relief with cable ties for safer and quicker installation.
- > Status feedback through LEDs.
- > Indication in case of overload.

Functional advantages

- > All windows can be managed independently from each other.
- > Intelligent switching between manual and automatic operation to guarantee excellent user-friendliness and energy savings.
- > Local setting of an intermediate position and of user ergonomics.
- > Configurable slats and rotation speed for optimum user ergonomics.
- > Upgradable at any time for local controlling through radio Somfy RTS or EnOcean technology.

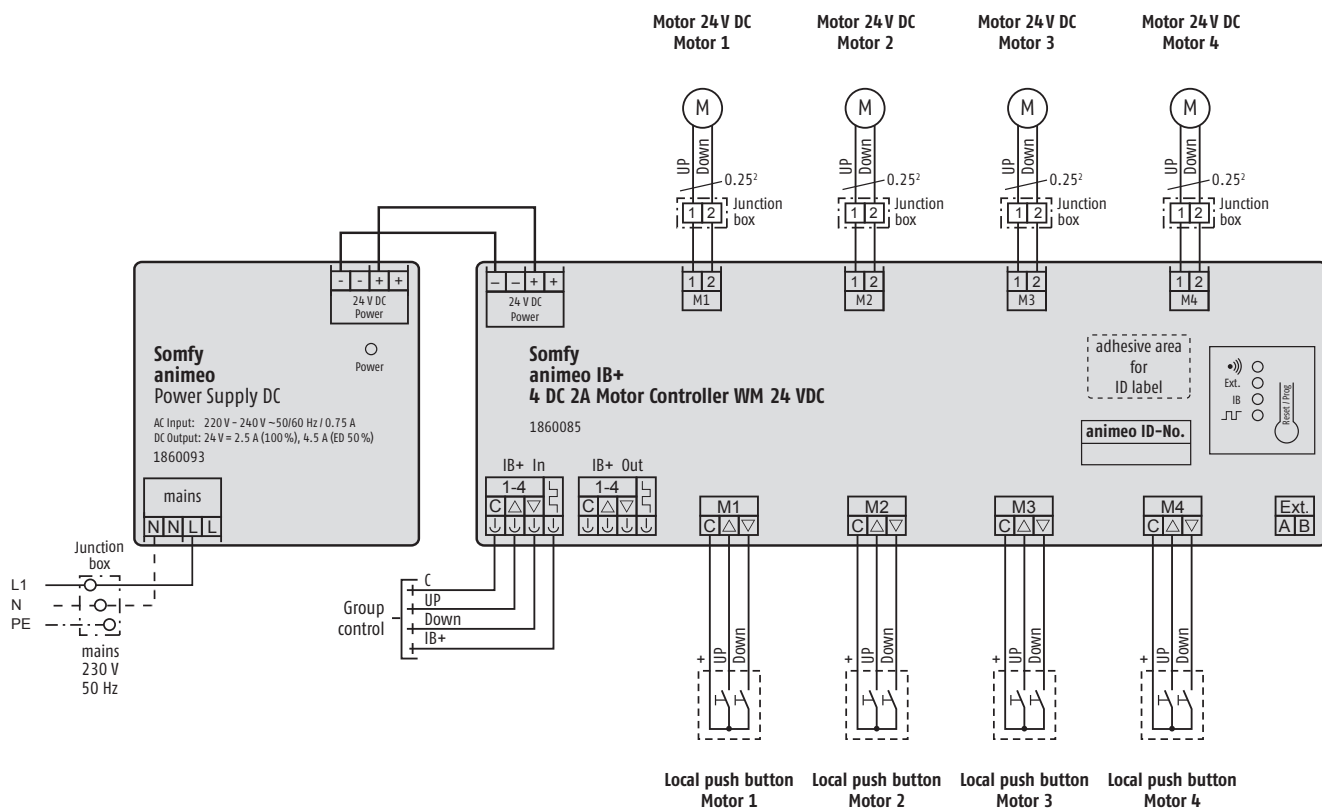
Wiring

Connection	Cables	Twisted pairs	Max. distance
Motors	Min.: 2 x 0.6 mm ² /22 AWG Max.: 2 x 2.5 mm ² /14 AWG	-	20 m
Motor Controller Extensions	Min.: 2 x 0.25 mm ² /24 AWG Max.: 2 x 0.75 mm ² /18 AWG	Required	50 m
Switches	Min.: 3 x 0.6 mm ² /22 AWG Max.: 3 x 2.5 mm ² /14 AWG	Recommended	100 m
IB+ bus	Min.: 4 x 0.6 mm ² /22 AWG Max.: 4 x 1.5 mm ² /16 AWG	Recommended	1000 m
24 V DC	Min.: 2 x 1.5 mm ² /16 AWG Max.: 2 x 2.5 mm ² /14 AWG	-	10 m

Classification

The Motor Controller is an electronically and manually-operated, independently-mounted control.

- Class A control function
- Type 1 action
- Pollution degree: 2
- Rated impulse voltage: 4 kV
- Temperature of the ball hardness test: 75 °C
- Type X attachment
- Method of attachment for non-detachable cords: screwless spring terminal
- EMC emission test: $U_{AC} = 230 \text{ V DC}$ $I_{AC} = 0.5 \text{ A}$
(EN 55022 Class B emission)



CHARACTERISTICS

WM Ref. 1860085

Supply voltage	21.5–28 V DC
Stand-by current (IEC 62301)	50 mA @ 24 V DC
Stand-by power (IEC 62301)	300 mW @ 24 V DC
Max. motor current consumption	4 x 2.3 A @ 24 V DC
Supply voltage of group control input	SELV, 16 V DC =
Supply voltage of local push buttons	SELV, 16 V DC =
Inputs/outputs	Short circuit protected
Terminals	Spring connectors
Running time per output (relay contact)	Max. 5 minutes
Operating temperature	0 °C to 45 °C
Relative humidity	85 %
Material of housing	CC-ABS polycarbonate
Housing dimensions (w x h x d)	180 x 255 x 63 mm
Weight	660 g
Degree of protection	IP 20
Protection class	III
Conformity	www.somfy.com/ce