

# 4 DC/E Motor Controller WM/DRM 220 – 240 V AC

animeo Solo

**animeo IB+**

animeo KNX

animeo LON

SOLUTIONS FOR BUILDING CONTROL



Ref. 1860087 (WM)



Ref. 1860200 (DRM)

Motor controller for interior blinds and interior Venetian blinds.

To individually control up to four 24 V DC motors or 24 V DC/E encoder motors vial local push buttons or in groups with IB+ controlling technology.

Available in two versions: wall-mounted (WM) and DIN-rail installation.

## Installation advantages

- > Easy installation thanks to integrated 24 V DC power supply.
- > Easy and quick commissioning in combination with the animeo IB+ Building Controller.
- > Spring connectors and tension relief with cable ties for safer and quicker installation.
- > Status feedback through LEDs.
- > Indication in case of overload.

## Functional advantages

- > Intelligent switching between manual and automatic operation to guarantee excellent user-friendliness and energy savings.
- > Local setting of an intermediate position and of user ergonomics.
- > Configurable up and down speed in combination with animeo IB+ Building Controller.
- > Configurable slats and rotation speed for optimum user ergonomics.
- > Enables very precise slats orientation and/or load bars alignment thanks to Somfy LW25 E83 Motor Encoder.
- > Upgradable at any time for local controlling through radio Somfy RTS or EnOcean technology.

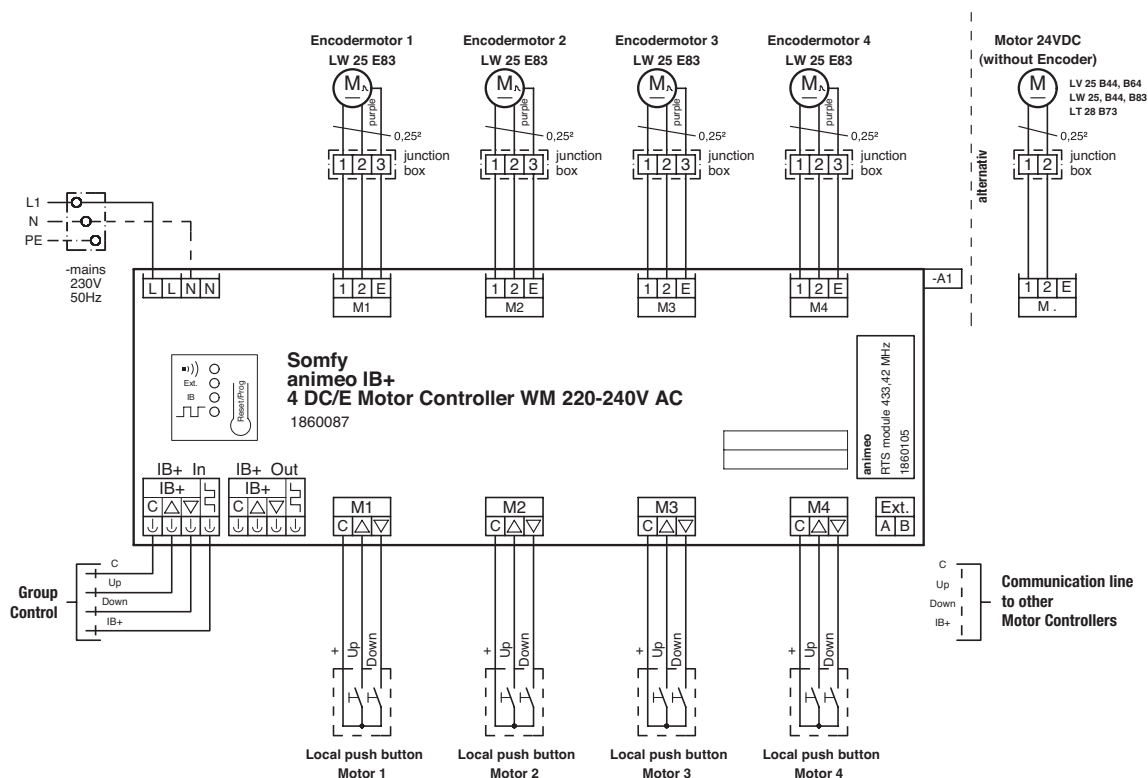
## Wiring

Connection	Cables	Twisted pairs	Max. distance
<b>Motors</b>	Min.: 3 x 0.6 mm <sup>2</sup> /22 AWG Max.: 3 x 2.5 mm <sup>2</sup> /14 AWG	-	20 m
<b>Motor Controller Extensions</b>	Min.: 2 x 0.25 mm <sup>2</sup> /24 AWG Max.: 2 x 0.75 mm <sup>2</sup> /18 AWG	Required	50 m
<b>Switches</b>	Min.: 3 x 0.6 mm <sup>2</sup> /22 AWG Max.: 3 x 2.5 mm <sup>2</sup> /14 AWG	Recommended	100 m
<b>IB+ bus</b>	Min.: 4 x 0.6 mm <sup>2</sup> /22 AWG Max.: 4 x 1.5 mm <sup>2</sup> /16 AWG	Recommended	1000 m
<b>220 – 240 V AC</b>	Min.: 3 x 1.5 mm <sup>2</sup> /16 AWG Max.: 3 x 2.5 mm <sup>2</sup> /14 AWG	-	

## Classification

**The Motor Controller is an electronically and manually-operated, independently-mounted control.**

- Class A control function
- Type 1 action
- Pollution degree: 2
- Rated impulse voltage: 4 kV
- Temperature of the ball hardness test: 75 °C
- Type X attachment
- Method of attachment for non-detachable cords: screwless spring terminal
- EMC emission test:  $U_{AC} = 230 \text{ V DC}$   $I_{AC} = 0.5 \text{ A}$   
(EN 55022 Class B emission)



### CHARACTERISTICS

	WM Ref. 1860087	DRM Ref. 1860200
Supply voltage	220 - 240 V AC / 50/60 Hz	220 - 240 V AC / 50/60 Hz
Stand-by current (IEC 62301)	41 mA @ 230 V AC	41 mA @ 230 V AC
Stand-by power (IEC 62301)	3.6 W @ 230 V AC	3.6 W @ 230 V AC
Max. motor current consumption	4 x 0.6 A @ 24 V DC	4 x 0.6 A @ 24 V DC
Supply voltage of group control input	SELV, 16 V DC =	SELV, 16 V DC =
Supply voltage of local push buttons	SELV, 16 V DC =	SELV, 16 V DC =
Inputs/outputs	Short circuit protected	Short circuit protected
Terminals	Spring connectors	Spring connectors
Running time per output (relay contact)	Max. 5 minutes or 5000 m	Max. 5 minutes or 5000 m
Operating temperature	0 °C to 45 °C	0 °C to 45 °C
Relative humidity	85 %	85 %
Material of housing	CC-ABS polycarbonate	CC-ABS polycarbonate
Housing dimensions (w x h x d)	180 x 255 x 63 mm	90 x 210 x 63 mm (12 HP)
Weight	770 g	430 g
Degree of protection	IP 20	IP 20
Protection class	II	II
Conformity	<a href="http://www.somfy.com/ce">www.somfy.com/ce</a>	<a href="http://www.somfy.com/ce">www.somfy.com/ce</a>