

Designations	IZYMO ON-OFF RECEIVER io F/CE/NE/SE IZYMO ON-OFF RECEIVER io MEA/EE
References	F/CE/NE/SE : 1822649 MEA/EE : 1822650
Range	io

FUNCTIONS

The **ON-OFF receiver io** enables to transform any lighting or home equipment into a smart and connected one. To control a lighting, it can be placed behind the switch or next to the light source (depending on the installation). To control a home equipment, it can be placed behind its outlet.

In stand-alone usage, it can be used to add an extra switch wherever you want (IZYMO transmitter io required).



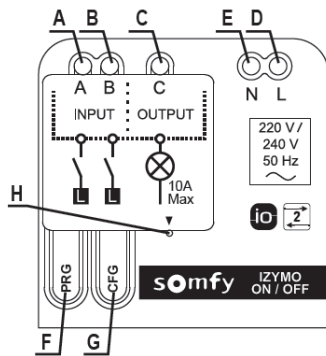
Compatibility



Technical specifications

Power supply	Input: 220-240V AC (Neutral + Live) Output: 230V, 10A
Max. power	Resistive/halogen load: 2000W Fluo-compact: 150W LEDs 220-240V AC: 150W Other load: 2000W
Protocol	io-homecontrol (2-way)
Frequency bands and max. effective radiated power	868,000MHz – 868,600MHz e.r.p. < 25mW 868,700MHz – 869,200MHz e.r.p. < 25 mW 869,700MHz – 870,000MHz e.r.p. < 25 mW
Free field range	200 meters
Indoor range	20 meters through 2 concrete walls
Dimensions	43 x 43 x 18 mm
Weight	50g
Index protecting rage	IP20 (indoor use only)
Storage temperature	-30 °C à +70 °C
Operating temperature	0°C to +55°C
Number of io remote controls	1-way : 10 remote control devices 2-way : unlimited
Standby consumption	<0,5W

PRODUCT DESCRIPTION



Designation	Cable	Mark
Input A	Violet	A
Input B	Orange	B
Output C	Black	C
Live power supply L	Brown	D
Neutral power supply N	Blue	E
PRG button	-	F
CFG button	-	G
Multi-coloured LED	-	H

COMPATIBILITIES

All Somfy 1W & 2W io-homecontrol controls/remotes, such as:

- Smoove io range
- Situ 1/5 io
- Situ 1/5 variation io
- Easy Sun io
- Nina & Nina Timer io
- Keytis 4 Home io
- Keygo io
- Chronis io
- Telis Composio io
- Impresario Chronis io
- IZYMO Transmitter io

All io-homecontrol compatible boxes

- TaHoma
- Connexoon Window io
- Connexoon Access io
- Connexoon Terrace io
- E-Connect (Rexel)

All Somfy io alarm systems

- Home keeper io
- Protexial io

Velux controls :

- 1W
- 2W
- Repeater io

APPLICABLE STANDARDS

Safety: EN 62368-1 :2014+ AC :2015 ; EN 60669-2-1 :2009 + Corr 2007 + A1 :2009 + A12 : 2010;

Health: EN 62479:2010

EMC compliances: EN 301489-1 V1.9.2:2011; EN 301489-3 V1.6.1:2013;

Radio compliances : EN 300220-1 V3.1.1 :2017 ; EN 300220-2 V3.1.1 :2017

ERP directive and related regulations : Directive 2009/125/EC, standby mode <0.5W

Radio Equipement Directive: RED 2014/53/UE