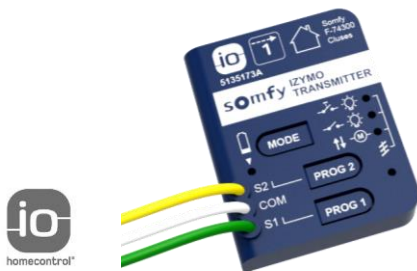


Designations	IZYMO TRANSMITTER io F/CE/NE/SE IZYMO TRANSMITTER io MEA/EE
References	F/CE/NE/SE : 1822609 MEA/EE : 1822628
Range	io

FUNCTIONS

The transmitter io enables to transform any wired push-button or rocker switch into an io control. This way, you can send orders to lightings, roller shutters and external venetian blinds. When it is connected to a push-button, it can also be used as a TaHoma scenario launcher.



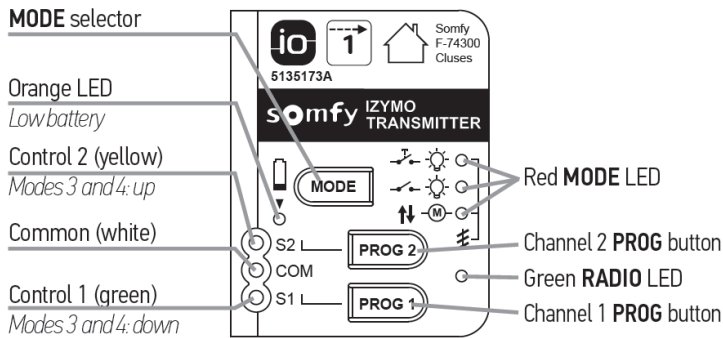
Compatibility



Technical specifications

Power supply	CR2430 battery: 3V
Battery life	3 years
Protocol	io-homecontrol (1-way)
Frequency bands and max. effective radiated power	868,700MHz – 869,200MHz e.r.p. < 25 mW
Free field range	200 meters
Indoor range	20 meters through 2 concrete walls
Dimensions	35 x 43 x 8 mm
Weight	20g
Index protecting rage	IP20 (indoor use only)
Storage temperature	-20 °C à +80 °C
Operating temperature	0°C to +55°C
Humidity	85% HR at 25°C

PRODUCT DESCRIPTION



COMPATIBILITIES

SOMFY io-homecontrol actuator, such as:

- ON/OFF PLUG io
- Lighting ON/OFF receiver io
- IZYMO ON-OFF Receiver io
- IZYMO DIMMER Receiver io
- IZYMO SHUTTER Receiver io
- Io Rolling Shutter Receiver
- Io Rolling Shutter Motor
- Io Up/Stop/Down Motor
- J4 io/ J4 Protect io
- EVB io bridge

io-homecontrol compatible boxes

- TaHoma
- E-Connect (Rexel)

Velux

- Plug io ON/OFF

APPLICABLE STANDARDS

Safety: EN 62368-1 :2014+ AC :2015 ;

Health: EN 62479:2010

EMC compliances: EN 301489-1 V1.9.2:2011; EN 301489-3 V1.6.1:2013;

Radio compliances : EN 300220-1 V3.1.1 :2017 ; EN 300220-2 V3.1.1 :2017

Radio Equipment Directive: RED 2014/53/UE