

KNX RS485 Motor Controller WM/PCB

animeo Solo

animeo IB+

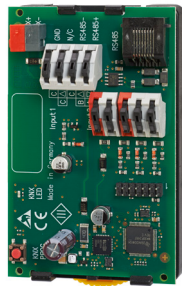
animeo KNX

animeo LON

SOLUTIONS FOR BUILDING CONTROLS



Ref. 1860236



Ref. 1860238

The KNX RS485 Motor Controller enables the controlling of a group of 1 to max. 6 similar Somfy RS485 motors with identical running times through the KNX bus.

For the individual (only one motor connected!) or group controlling of interior/exterior screens and roller shutters. A group reacts simultaneously.

Available in two versions: wall-mounted (WM) and printed circuit board (PCB).



Installation advantages

- > Flexible installation: suspended ceiling/raised floor, under-window or wall-mounted wiring channels, electrical cabinet with clip adapter.
- > Quick installation and connection of the motor controller through:
 - Plug and play as well as spring clamp connectors.
 - Cable tension relief points to tighten cables to the housing of the product.
 - Daisy chaining of several RS485 motors possible.

Functional advantages

- > Perfect alignment of the blind thanks to the increment encoder technology of the RS485 motors.
- > The exact position of the blind during move and when reaching the upper and lower end limits can be monitored.
- > A conventional double push button and a window contact can be connected directly to the Motor Controller. Both inputs can be used as binary inputs to transmit the signals to the KNX bus.
- > Using a one Byte telegram over the KNX, the blind can be moved to numerous intermediate positions.

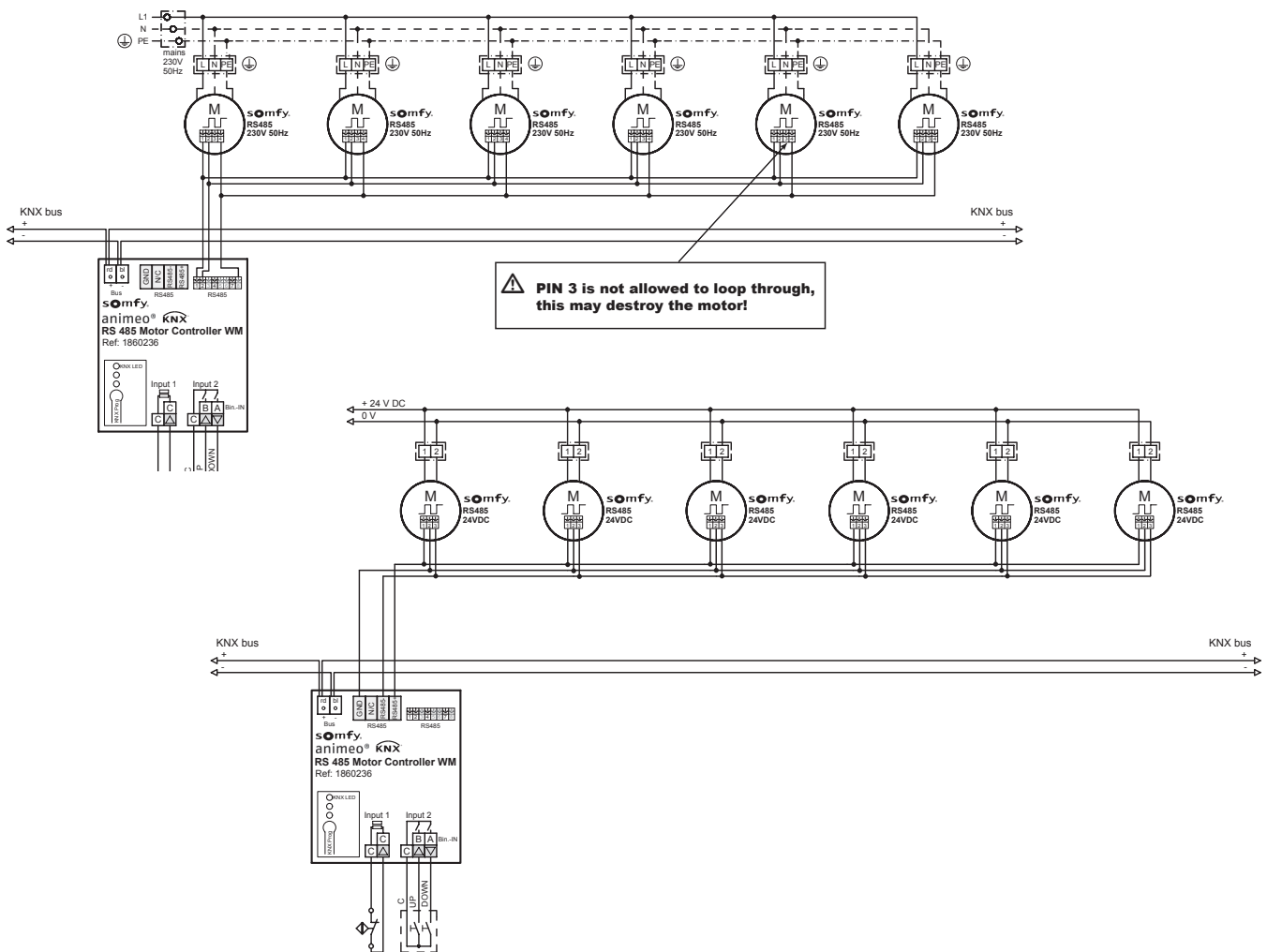
Wiring

Connection	Cables	Twisted pairs	Max. distance
RS485 bus	Modular Jack 8P4C (RJ45) spring clamp terminal	Min.: 4 x 2 x 0.5 mm/24 AWG Required twisted pair shielded, Impedance 100 Ω (-10 Ω/+30 Ω), Recommended CAT5-FTP, Following Somfy RS485 guidelines	1000 m
Switches	spring clamp terminal	Min.: 3 x 0.6 mm/22 AWG Max.: 3 x 0.8 mm/20 AWG Recommended	100 m
KNX bus	2 x 0.8 mm/20 AWG	Required, following KNX topology guidelines	-

Classification

The Motor Controller is an electronically and manually-operated, independently-mounted control.

- Class A control function
- Type 1 action
- Pollution degree: 2
- Temperature of the ball hardness test: 75 ° C
- Type X attachment
- Method of attachment for non-detachable cords: screwless spring terminal



CHARACTERISTICS

	WM Ref. 1860236	PCB Ref. 1860238
Supply voltage from KNX bus	KNX voltage 21...30V DC, SELV	KNX voltage 21...30V DC, SELV
Rated current consumption KNX	As per KNX guidelines, <= 12.5 mA	As per KNX guidelines, <= 12.5 mA
Supply voltage of local push buttons	SELV, 16 V DC =	SELV, 16 V DC =
Terminals	Spring clamp terminals + RJ45	Spring clamp terminals + RJ45
Running time per output	Max. 5 minutes	Max. 5 minutes
Operating temperature	- 5 °C to 50 °C	- 5 °C to 50 °C
Relative humidity	Max. 85 %	Max. 85 %
Material of housing	CC-ABS polycarbonate	CC-ABS polycarbonate
Housing dimensions (w x h x d)	90 x 180 x 45 mm	65 x 105 x 20 mm
Weight	185 g	45 g
Degree of protection	IP 20	IP 00
Protection class	III	III
Conformity	www.somfy.com/ce	www.somfy.com/ce

For DIN-rail installation additional DIN-rail adapter is needed (Ref. 9008049).

The animeo KNX RS485 Motor Controller is only compatible with Somfy RS485 motors!