

Wind Sensor

animeo Solo

animeo IB+

animeo IP

animeo KNX

animeo LON

SOLUTIONS FOR BUILDING CONTROL



Ref. 9001608

Enables the measuring of wind speed in connection with the Outside Sensor Box (ref. 9001606).

Installation advantages

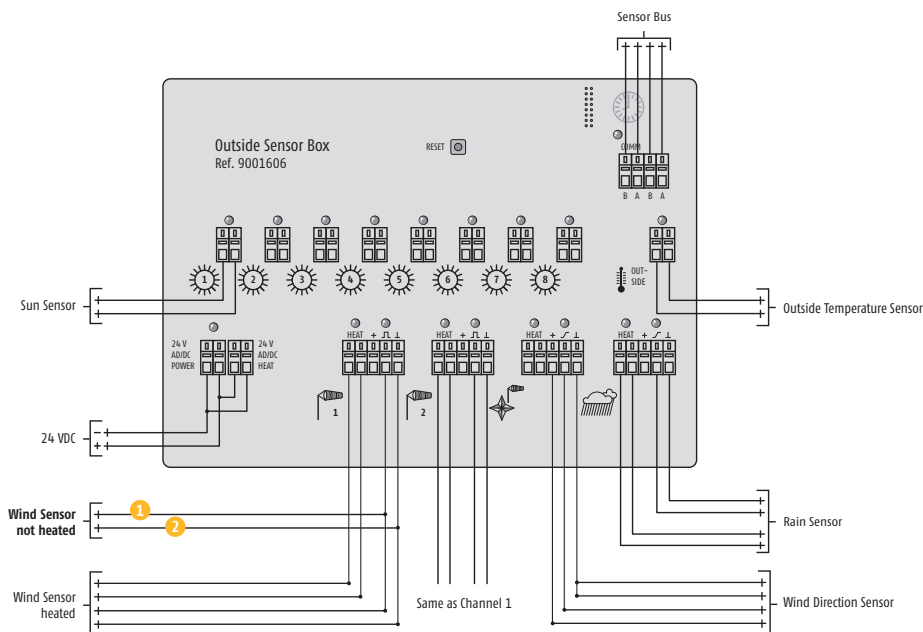
- > Very easy assembling on standard mast with 50 mm diameter.
- > Spring clamb connectors for save and solid wiring to the Outside Sensor Box.

Functional advantages

- > Provides reliable and precise wind speed measurement.
- > High resilience and durability by precision bearing.

Somfy
50 Avenue du Nouveau Monde
74300 Cluses
France
T +33 (0)4 50 96 70 00
F +33 (0)4 50 96 71 89

www.somfy.com/projects
www.somfy.com



CHARACTERISTICS

Dimensions	Height 200 mm, Ø 240 mm; max. Ø-mast: 48 mm
Degree of protection	IP 54
Wiring recommendations	2 × 0.8 mm ²
Max length	100 m
Operating temperature	- 25 °C to + 75 °C
Weight	612 g
Protection class	III
Conformity	www.somfy.com/ce