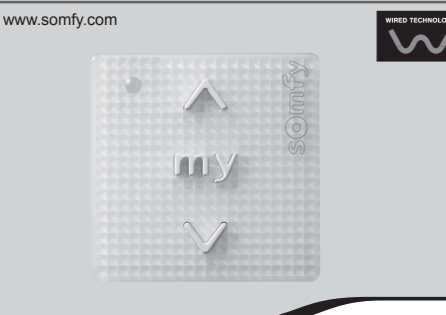


www.somfy.com

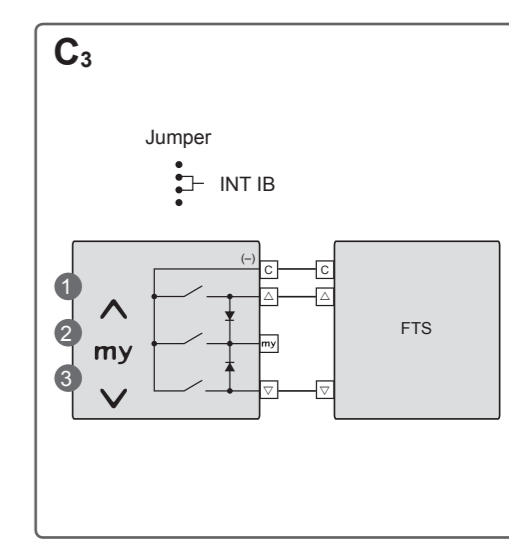
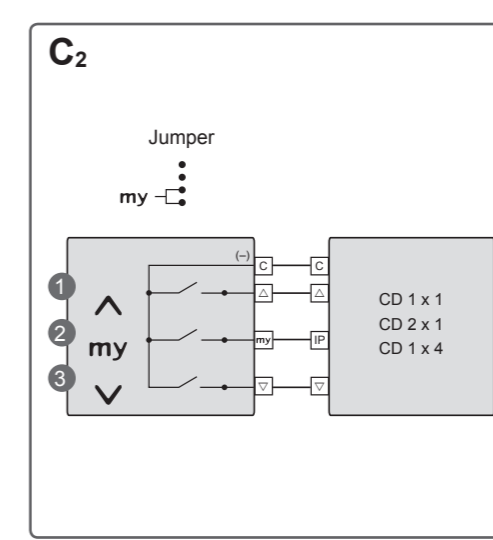
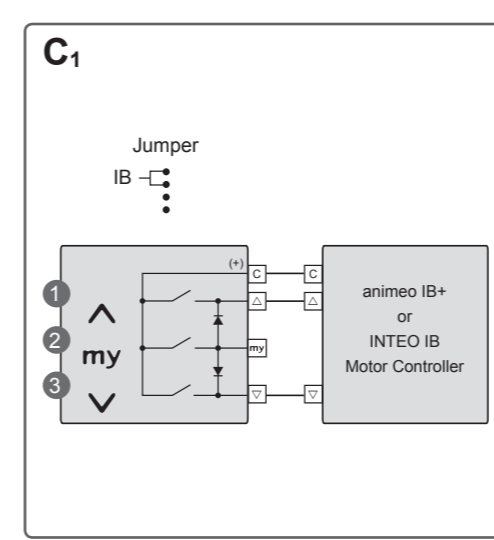
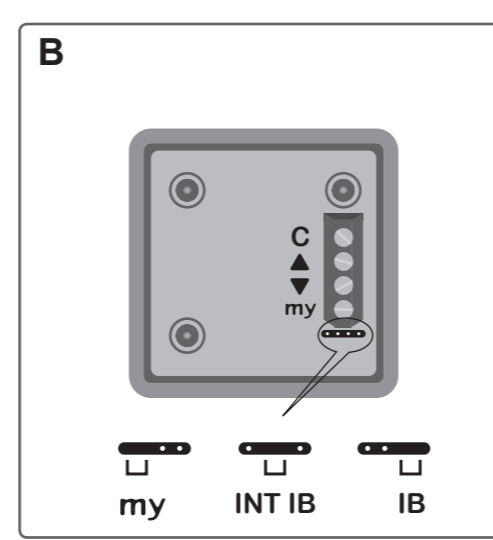
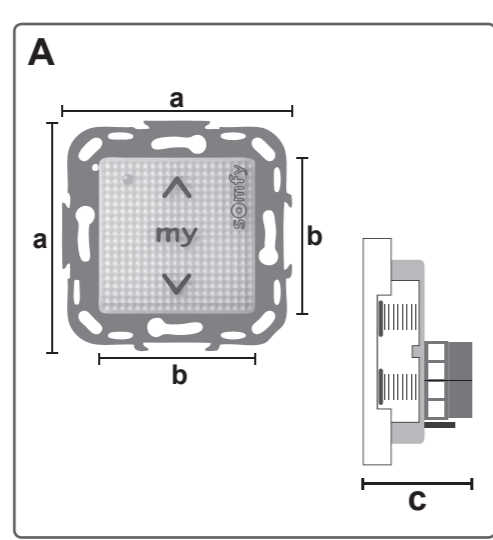


Smoove Origin IB

DK Installationsvejledning
 GB Installation guide
 NL Montagehandleiding

Ref. 5111445

somfy



Somfy worldwide

ARGENTINA: Somfy Argentina
 Tel. +5511 (0) 4737-3700

AUSTRALIA: Somfy Pty Limited
 Tel. +61 (0) 296 380 744

AUSTRIA: Somfy Gesmbh
 Tel. +43 (0) 662 625 308

BELGIUM: Somfy NV SA
 Tel. +32 (0) 27 120 770

BRASIL: Somfy Brasil Ltda
 Tel. +55 (0) 1 136 953 585

CANADA: Somfy ULC
 Tel. +1 (0) 9 055 646 446

CHINA: Somfy China Co Ltd.
 Tel. +86 (0) 2 162 809 660

CROATIA: Somfy Predstavništvo
 Tel. +385 (0) 51 502 640

CYPRUS: Somfy Middle East Co. Ltd.
 Tel. +357 (0) 25 345 540

CZECH REPUBLIC: Somfy Spol s.r.o.
 Tel. +420 (0) 2 963 724 867

DENMARK: Somfy Nordic AB
 Tel. +45 (0) 65 325 793

FINLAND: Somfy Nordic AB
 Tel. +358 (0) 957 130 230

FRANCE: Somfy France
 Tel. +33 (0) 450 967 096

GERMANY: Somfy GmbH
 Tel. +49 (0) 74 729 300

GREECE: Somfy Hellas SA
 Tel. +30 (0) 2 106 146 768

HONG KONG: Somfy Co. Ltd.
 Tel. +852 (0) 25 236 339

HUNGARY: Somfy Kft
 Tel. +36 (0) 18 145 120

INDIA: Somfy India Private Limited
 Tel. +91 (0) 1 146 111 555

INDONESIA: Somfy Jakarta Representative Office
 Tel. +62 (0) 217 193 620

IRAN: Somfy Iran
 Tel. +98 (0) 2 177 951 036

ISRAEL: SISA HOME AUTOMATION LTD
 Tel. +972 (0) 39 525 554

ITALY: Somfy Italia S.R.L.
 Tel. +39 (0) 24 847 181

JAPAN: Somfy K.K.
 Tel. +81 (0) 454 750 732

JORDAN: Somfy Jordan
 Tel. +962 (0) 65 621 615

KOREA: Somfy JOO
 Tel. +82 (0) 316 005 250

KUWAIT: Somfy Kuwait
 Tel. +965 (0) 9 889 467

LEBANON: Somfy Lebanon
 Tel. +961 (0) 1 427 888

MALAYSIA: Somfy Malaysia
 Tel. +60 (0) 322 874 743

MEXICO: Somfy MEXICO SA de CD
 Tel. +52 (0) 55 477 777 701

MOROCCO: Somfy Maroc
 Tel. +212 (0) 22 443 500

NETHERLANDS: Somfy B.V.
 Tel. +31 (0) 235 544 900

NORWAY: Somfy Nordic AB
 Tel. +47 (0) 41 576 639

POLAND: Somfy SP Z.O.O
 Tel. +48 (0) 225 095 300

PORTUGAL: Somfy Portugal
 Tel. +351 (0) 229 396 840

ROMANIA: Somfy SRL
 Tel. +40 (0) 36 844 081

RUSSIA: Somfy LLC
 Tel. +7 (0) 953 804 186

SERBIA: Somfy Predstavni štvo
 Tel. +381 (0) 25 841 510

SINGAPORE: Somfy PTE LTD
 Tel. +65 (0) 63 833 855

SLOVAK REPUBLIC: Somfy spol. s.r.o.
 Tel. +421 (0) 337 718 638

SOUTH KOREA: Somfy JOO
 Tel. +82 (0) 25 944 331

SPAIN: Somfy Espana SA
 Tel. +34 (0) 934 800 900

SWEDEN: Somfy Nordic AB
 Tel. +46 (0) 40 165 900

SWITZERLAND: Somfy AG
 Tel. +41 (0) 18 384 030

SYRIA: Somfy Syria
 Tel. +963 (0) 955 580 700

TAIWAN: Somfy Development Taiwan Branch
 Tel. +886 (0) 226 587 150

THAILAND: Bangkok Regional Office
 Tel. +66 (0) 27 143 170

TUNISIA: Somfy Tunisia
 Tel. +216 (0) 98 303 603

TURKEY: Somfy Turkiye
 Tel. +90 (0) 2 166 513 015

UNITED ARAB EMIRATES: Somfy Gulf
 Tel. +971 (0) 48 832 808

UNITED KINGDOM: Somfy Ltd.
 Tel. +44 (0) 1 133 913 030

USA: Somfy Systems Inc.
 Tel. +1 (0) 6 093 951 300

CE

DK

Mål

a = 71 mm
 b = 50 mm
 c = 25 mm

Kabel

Min.: 4 x 0.6 mm/22 AWG
 Max.: 4 x 1.5 mm²/16 AWG

Tilslutning til animeo IB+ eller Inteo IB motor controllers

1 Op
 2 Stop/IP (my)
 3 Ned

△ Jumper til „IB“

Tilslutning til animeo CD motor controllers

1 Op
 2 Stop/my
 3 Ned

△ Jumper til „my“

Tilslutning til FTS styring

1 Op
 2 Stop/my
 3 Ned

△ Jumper til „INT IB“

GB

Measurements

a = 71 mm
 b = 50 mm
 c = 25 mm

Cables

Min.: 4 x 0.6 mm/22 AWG
 Max.: 4 x 1.5 mm²/16 AWG

Connection to animeo IB+ or Inteo IB motor controls

1 Up
 2 Stop/IP (my)
 3 Down

△ Jumper on „IB“

Connection to animeo CD motor controllers

1 Up
 2 Stop/my
 3 Down

△ Jumper on „my“

Connection to FTS controls

1 Up
 2 Stop/my
 3 Down

△ Jumper on „INT IB“

NL

Afmetingen

a = 71 mm
 b = 50 mm
 c = 25 mm

Bekabeling

Min.: 4 x 0.6 mm/22 AWG
 Max.: 4 x 1.5 mm²/16 AWG

Verbinding met animeo IB+ of Inteo IB motor controls

1 Op
 2 Stop/IP (my)
 3 Neer

△ Dip switch op „IB“

Verbinding met de animeo CD Motor Controllers

1 Op
 2 Stop/IP (my)
 3 Neer

△ Dip switch op „my“

Verbinding met FTS Controls

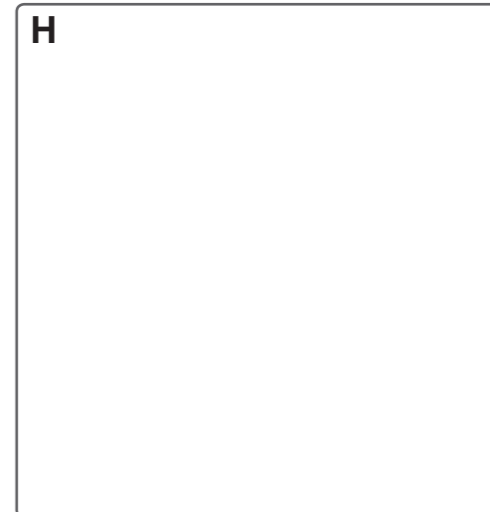
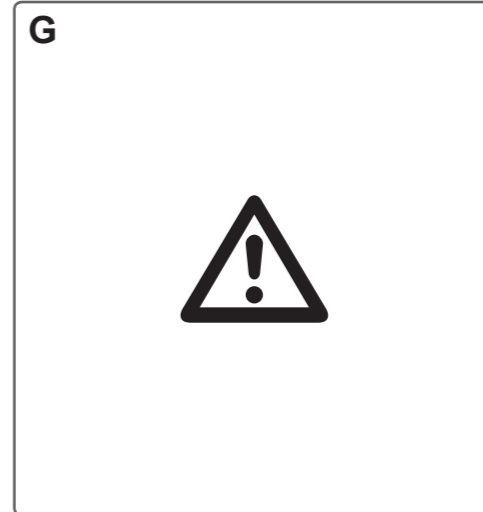
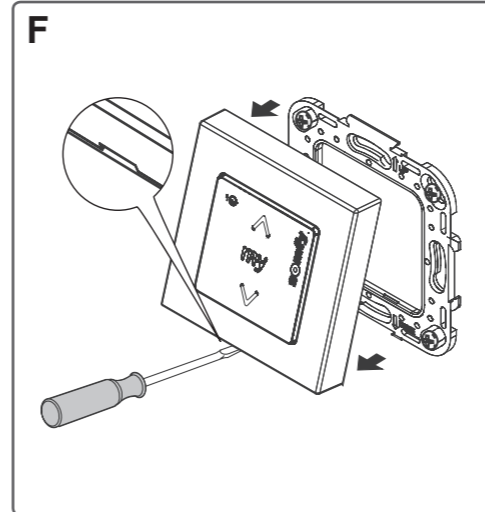
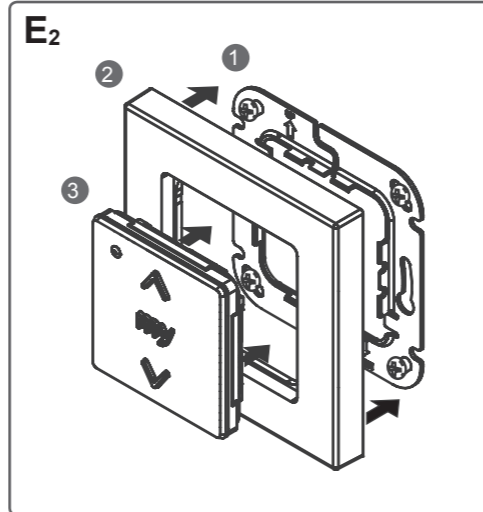
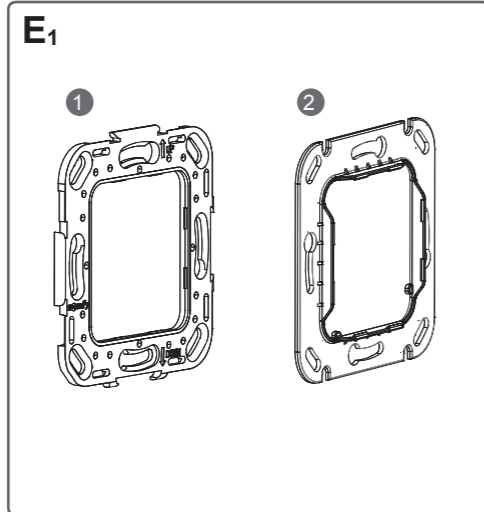
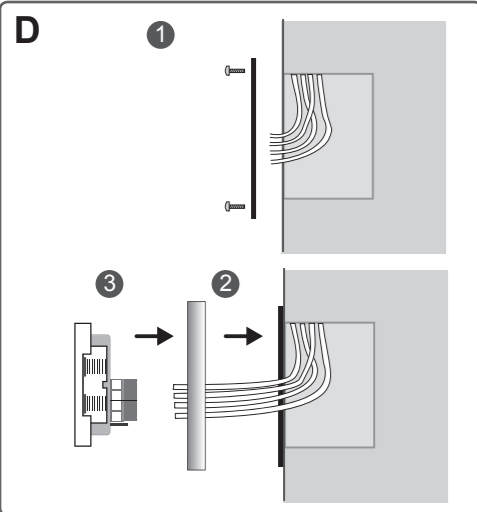
1 Op
 2 Stop/IP (my)
 3 Neer

△ Dip switch op „INT IB“

CHARACTERISTICS: Smoove Origin IB

Smoove Origin IB	Ref. 1811272
Max input switching capacity	24 V DC / 50 mA △
Terminals	Screw terminals
Operating temperature	0° C to 45° C
Relative humidity	max. 85 %
Material of housing	PC-ABS
Housing dimensions	50x50x27 mm
Degree of protection	IP 20
Protection class	III
Conformity	www.somfy.com/ce

©2013, Somfy SAS. ALL RIGHTS RESERVED. 2013/07/01



DK **Installation/montering**

Egnede omgivelser: Tørt rum

- 1 Fæstne montererammen i installationsdåsen
- 2 Klik rammen fra kontakten på selve montererammen.
- 3 Koble kablerne i Smoove Origin IB og klik derefter trykpanelet i rammen.

Mulige rammer

- 1 Somfy ramme
- 2 Andre distributører

⚠ Det er muligt, at der skal monteres en ekstra adapter fra en anden leverandør inden.

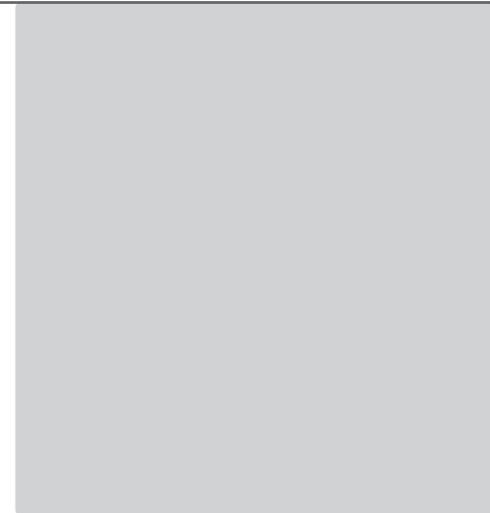
Rækkefølgen i montering

- 1 Monteringsramme
- 2 Ramme fra kontakten
- 3 Smoove Origin IB

Afmontering

Fjern rammen (fra kontakten) sammen med selve kontakten.

⚠ Før installationen påbegyndes, skal denne vejledning læses, og anvisningerne følges. Fejl på installationen kan medføre alvorlig personskade.



GB **Installation/Mounting**

Ambient conditions: Dry rooms

- 1 Fix support frame in flush-mounted box.
- 2 Clip frame of the used switch range onto the support frame.
- 3 Attach connection cables at Smoove Origin IB, position push button into the frame.

Possible frames

- 1 Somfy frame
- 2 Other distributors

⚠ If necessary, an adapter frame of the used frame distributor has to be mounted additionally.

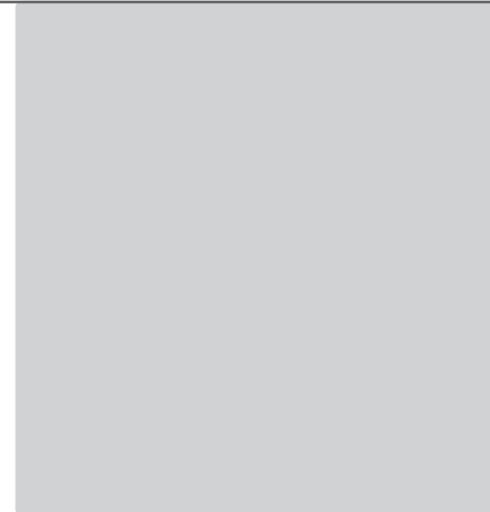
Order of mounting

- 1 Support frame
- 2 Frame of the used switch range
- 3 Smoove Origin IB

Dismantling

Remove the frame together with the Smoove Origin IB.

⚠ Before installation, please read and follow these instructions. SOMFY's liability for defects and damages is excluded if they were caused by disregard of the instructions.



NL **Installatie/Montage**

Milieu: Alleen toepassen in droge ruimten

- 1 Monteer het support frame in de wand-contactdoos.
- 2 Klik het afdekplaatje van het toegepaste schakel materiaal in het support frame.
- 3 Sluit de kabels aan op de Smoove Origin IB, en klik de drukknop in het frame.

Toe te passen afdekplaatjes

- 1 Somfy afdekplaatjes
- 2 Andere leveranciers van schakelmateriaal.

⚠ Indien nodig hiervoor een extra adaptor frame monteren.

Volgorde van de montage

- 1 Support frame
- 2 Afdekplaatje van het toegepaste schakelmateriaal
- 3 Smoove Origin IB

Demontage

Verwijder het frame samen met de Smoove Origin IB.

⚠ Lees voor het installeren eerst deze handleiding. De SOMFY garantie is niet van toepassing als de aanwijzingen in deze handleiding genegeerd worden.

