

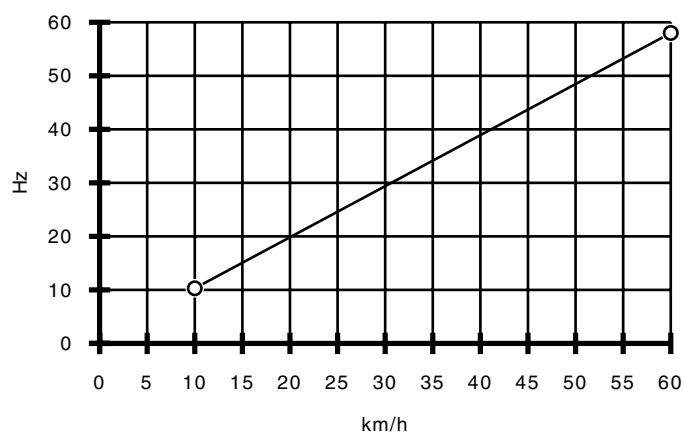
designation	EOLIS SENSOR
reference	154090
range	INTEO

FUNCTIONS

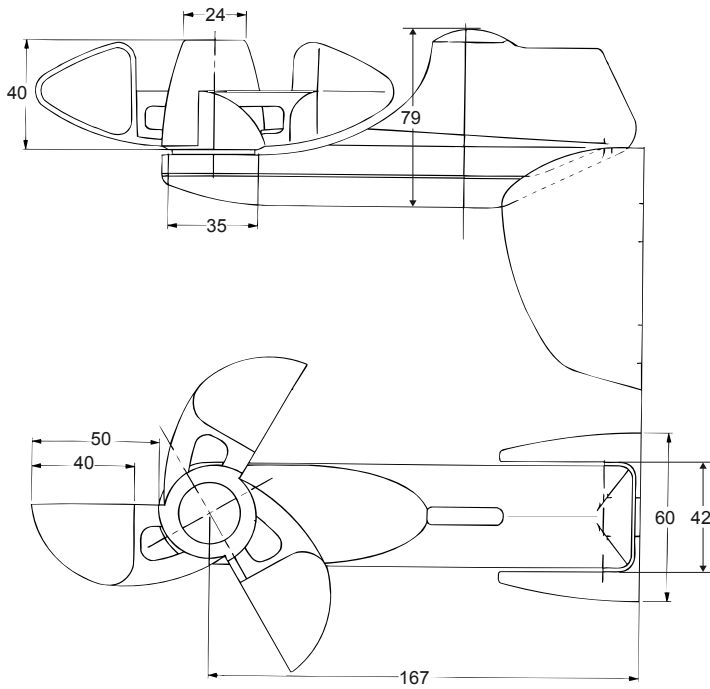
- Enables to measure the wind speed.
- Analogical output signal.
- It is forbidden to connect several sensors on the same control unit.

**TECHNICAL SPECIFICATIONS**

Box	Material	ABS
	Color	grey
	Protection factor against solid	IP33 class 2
Temperature range	Working	-30°C to +70°C
	Storage	-30°C to +70°C
Weight		230g
CE marking		yes

Wind values (Hz / km/h)

DIMENSIONS



COMPATIBILITIES AT THE 13/10/98

IN THE INTEO RANGE

- EOLIS BOX
- EOLIS RTS RECEIVER

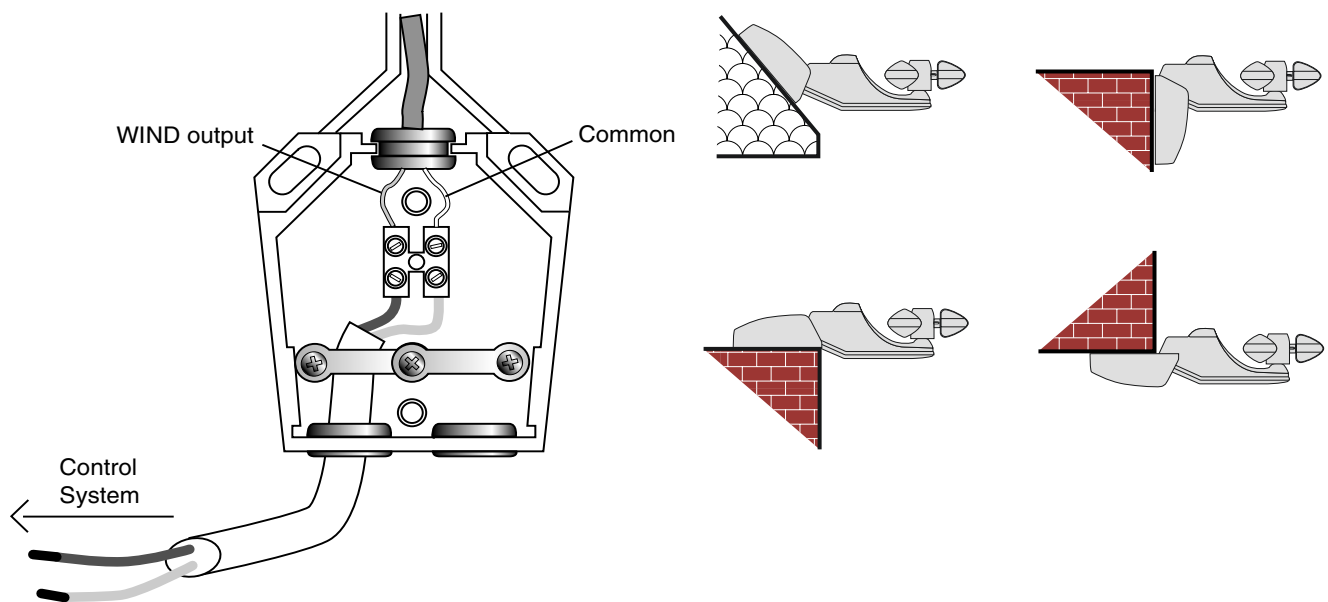
IN THE BASIC CONTROLS RANGE

- WIND CONTROL; RADIO WIND CONTROL

IN THE OTHER RANGES

- SLn1000; SLn1000 Demo; SLn1000 RK2; SLn1000 110V
- SLn1100; SLn1100 Demo; SLn1100 RK2
- SLn1010; SLn1010 Demo
- SLn1110; SLn1110 Demo
- SM1; SMS
- ML1010

CABLING / INSTALLATION



BE

QUALITY

GMD