



| | |
|--------------------|---------------------------------------|
| designation | EOLIS 3D WIREFREE RTS - Europe |
| references | 9013809 ; 9013847 ; 9014400 |
| range | Sensors |

FUNCTIONS



The EOLIS 3D WIREFREE RTS is an autonomous sensor (cordless and with batteries). Its technology is based on a **three dimensional acceleration sensor**. This sensor is exclusively dedicated to Terrasse arm awnings (folding arm, semi cassette and cassette)

- **TEMPORISATION**

•Operating mode identical to current Eolis sensor : same frames sent = same behaviour

| Temporisations | User mode | Demo Mode |
|---|------------------|------------------|
| wind appearance(acceleration) | 12sec | 12 sec |
| wind disappearance(stop of acceleration) | 30 sec / 12 min | 15 sec |

- **WIND FUNCTIONNING**

The wind is declared present when counter of vibration pass over the threshold:

- 4 times for each level

At this moment, the awning goes up and lock the remote control and sensor orders (no possibilities to go down). Then disappearance of the vibration :

- 30s after , the remote control orders are enable
- 11mn30s after, the automatism (sun) orders are enable

- **THRESHOLD LEVELS (G - FORCE)**

| | | | | | | | | | | |
|------------------------------|---|------|-------|-----|-------|------|-------|-----|-------|------|
| Levels | 0 | 1 | 2 | 3 | 4 | 5 | 6 | 7 | 8 | 9 |
| Corresponding acceleration * | | 0,15 | 0,225 | 0,3 | 0,375 | 0,45 | 0,525 | 0,6 | 0,675 | 0,75 |

* = automatic setting

COMPATIBILITIES AT THE 10/08/06

Motors :

- OREA (230V/120V) diameter 50 / 60
- ALTUS (230V/120V) diameter 40 / 50 / 60
- LT RTS 2
- LT RTS CSI

Controls :

- Soliris sensor RTS
- Eolis sensor RTS
- Sunis sensor Wirefree RTS

Receivers :

- Universal receiver RTS
- Orienta Receiver RTS
- Soliris UNO RTS

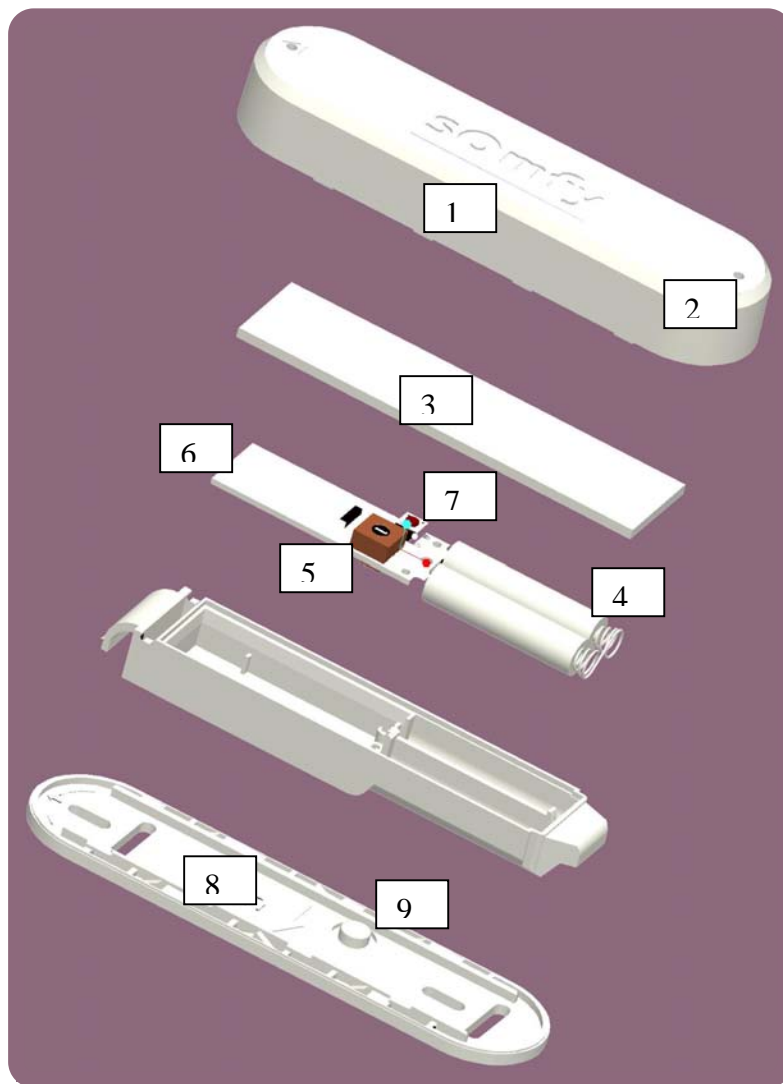
TECHNICAL SPECIFICATIONS

| | | |
|--|---|---|
| Box | Material | ABS(UV stabilised) / PP |
| | Color | Bronzal Ultra light /BlackRAL / Alpine White |
| | Size | 25 X 38 X 153 (h x l x L) |
| | Protection factor against solid & splash proof | IP 44 |
| Battery | Voltage | 2x1.5V |
| | Type | AAA Alkaline batteries |
| Battery lifetime (at ambient temperature) | | over 5 years (1 actions per day) |
| Radio characteristics (RTS Protocole): | Frequency | 433.42 Mhz +/- 100kHz |
| | Radiated power | -6 dBm |
| | Modulation Type | ASK Type A1 |
| | Range in free field | 150 m |
| Standard | | EN 60730 |
| | | EN 301489-3 |
| | | EN 300220-3 |
| Temperature range | Storing | -30°C / + 80°C |
| | Working | -20°C / + 60°C |
| Antenna | | Built in |
| Electro Magnetic compatibility | CEI 1000-4-2 | 8 kV |
| | CEI 1000-4-3 | lev III |
| CE Requirements | | YES |
| Weight | | 90g (including batteries) |

DESCRIPTION / DIMENSION

- 1) LID
- 2) Water evacuation holes
- 3) Waterproof joint
- 4) AAA Alkaline batteries
- 5) Potentiometer:
 - 0: Automatic setting
 - 1-9: predefined setting

- 6) Electronic circuit board
+ integrated radio antenna
- 7) Programming Button
- 8) Fixing support
- 9) ON/OFF magnet



Technical characteristics

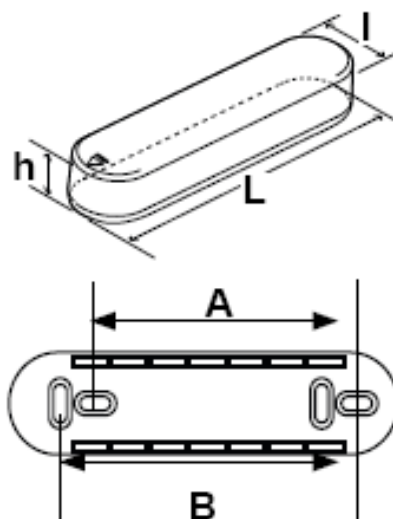
Power supply: 2 AAA alkaline batteries

Size: 25 x 38 x 153 mm (h x l x L)

Space between the oblong:

A = 93,5 mm

B = 120,5 mm



R&D
Name:
Date:

T.JAIN

QUALITY
Name:
Date:

G. BRUNEAU

EDITOR
Name:
Date:

E. GUILLEMOT