



12/02/98

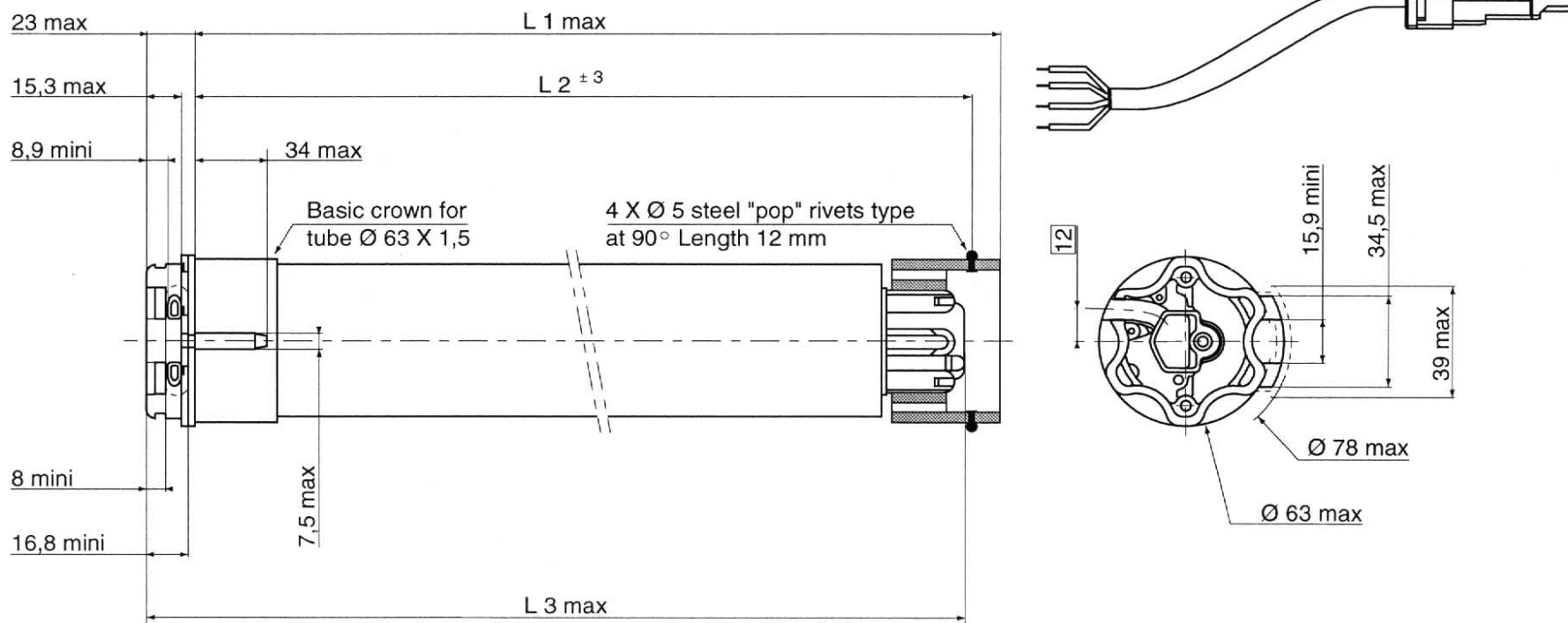
LT 60 TECHNICAL DATA

DMKI - FPTE
RANGE 2
LT60Range2R0

Nominal voltage	120 V - 60 Hz
Power supply tolerances	108 - 126V
Thermal time	5 minutes
Number of wires of the cable	4
Wire section	AWG 18
Type of limit switch unit	Quick limit switch
Capacity of the LSU	35 turns
Repeatability	± 5°
System of protection	IP 44
Interface drawings	Wheel interface LT60 206801-Crown interface LT60, LT60ADF, FTS60 & LT60CSI 206802-Interface drawing star head LT60 206803-Interface drawing LT50&60 buttons 206817.
Basic crown for tube Ø	63 x 1,5 mm
Temperature working range	Normal use : -10°C to +40°C Exceptionnall use (20% of the life time not continuous) : -25°C to + 70°C
Noise level	According to SOMFY measures (for information only).Worse value : in load up direction during 10 seconds.

Designation	Nm / in.Lbs	rpm	reference	mm	mm	mm	mm	W	A	°C	Brake type	kg	dBa
	Nominal torque	Nominal speed		L1 max.	L2 (±3 mm)	L3 max.	tube	Rated power	Rated current	Thermal tripping		Weight	Noise
660R2	60/530	14	200431	659	642	665	595	285	2,5	140	sliding	4,05	63
680R2	80/700	14	200432	659	642	665	595	390	3,4	140	sliding	4,3	65
6100R2	100/880	14	200433	659	642	665	595	430	3,8	140	sliding	407	67

WIRING	Neutral	White
	White button	Black
	Yellow button	Red
	Earth	Green



Visa : BEM *[Signature]* Quality *[Signature]* MKI *[Signature]*