



12/02/98

LT 60 TECHNICAL DATA

DMKI - FPTE
RANGE 3
LT60Range3R0

Nominal voltage	100 V - 50/60 Hz
Power supply tolerances	95 - 107V
Thermal time	5 minutes
Number of wires of the cable	4
Wire section	0,75 mm ²
Type of limit switch unit	Quick limit switch
Capacity of the LSU	35 turns
Repeatability	± 5°
System of protection	IP 44
Interface drawings	Wheel interface LT60 206801-Crown interface LT60, LT60ADF, FTS60 & LT60CSI 206802-Interface drawing star head LT60 206803-Interface drawing LT50&60 buttons 206817.
Basic crown for tube Ø	63 x 1,5 mm
Temperature working range	Normal use : -10°C to +40°C Exceptionnal use (20% of the life time not continuous) : -25°C to + 70°C
Noise level	According to SOMFY measures (for information only).Worse value : in load up direction during 10 seconds.

Designation	Nm	rpm	reference	mm	mm	mm	mm	W	A	°C	Brake type	kg	dBA
	Nominal torque	Nominal speed		L1 max.	L2 (±3 mm)	L3 max.	tube	Rated power	Rated current	Thermal tripping		Weight	Noise
660R3	60	12/14	200451	659	642	665	595	300	3,2	150	sliding	4,05	62
680R3	80	12/14	200452	659	642	665	595	400	4,2	150	sliding	4,3	-
6100R3	100	12/14	200453	659	642	665	595	470	5	150	sliding	4,7	67

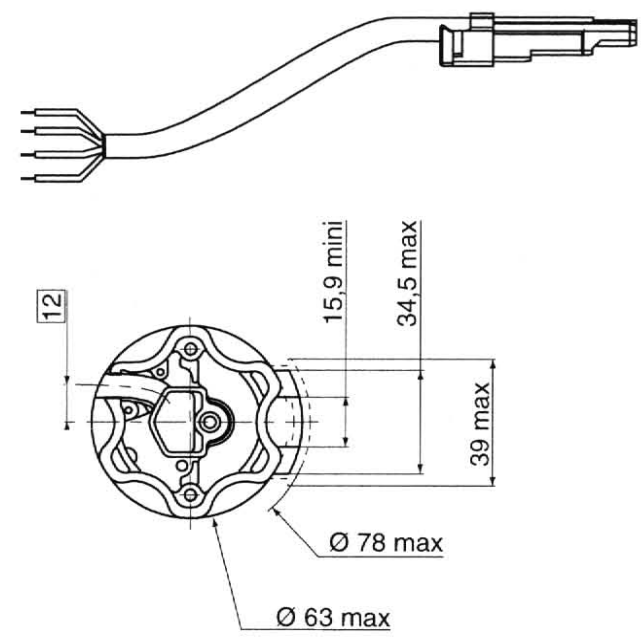
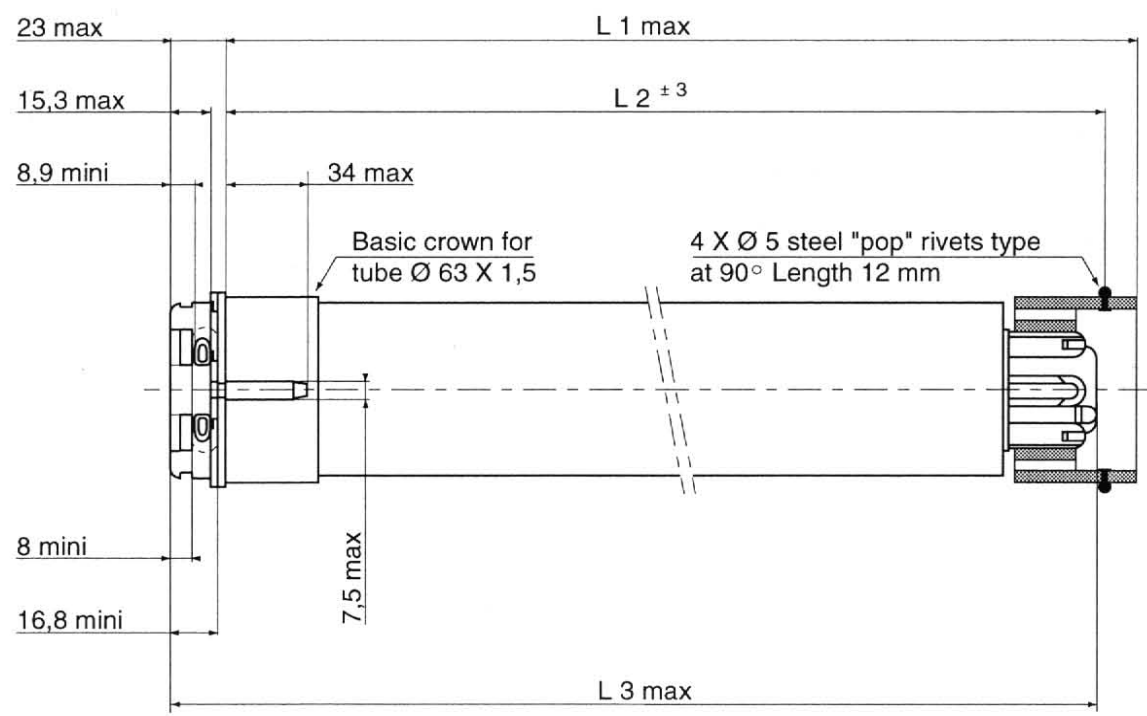


12/02/98

LT 60 TECHNICAL DATA

RANGE 3

WIRING	Neutral	White
	White button	Black
	Yellow button	Red
	Earth	Green



Visa : BEM *[Signature]* Quality *[Signature]* MKI *[Signature]*