



12/02/98

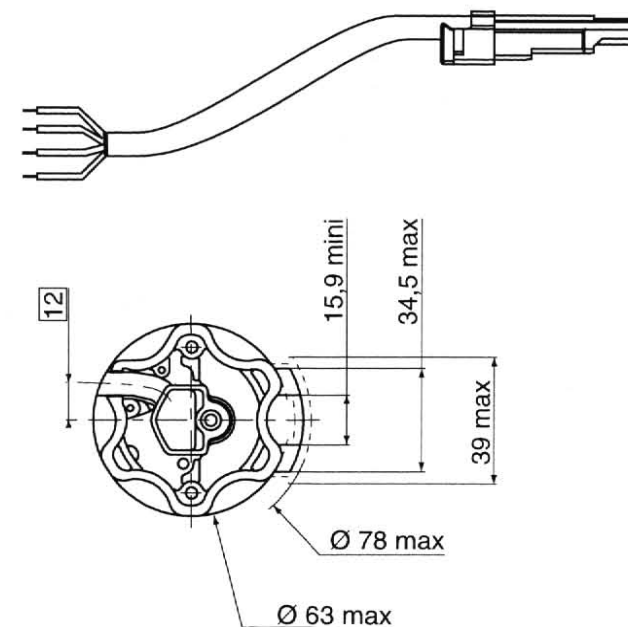
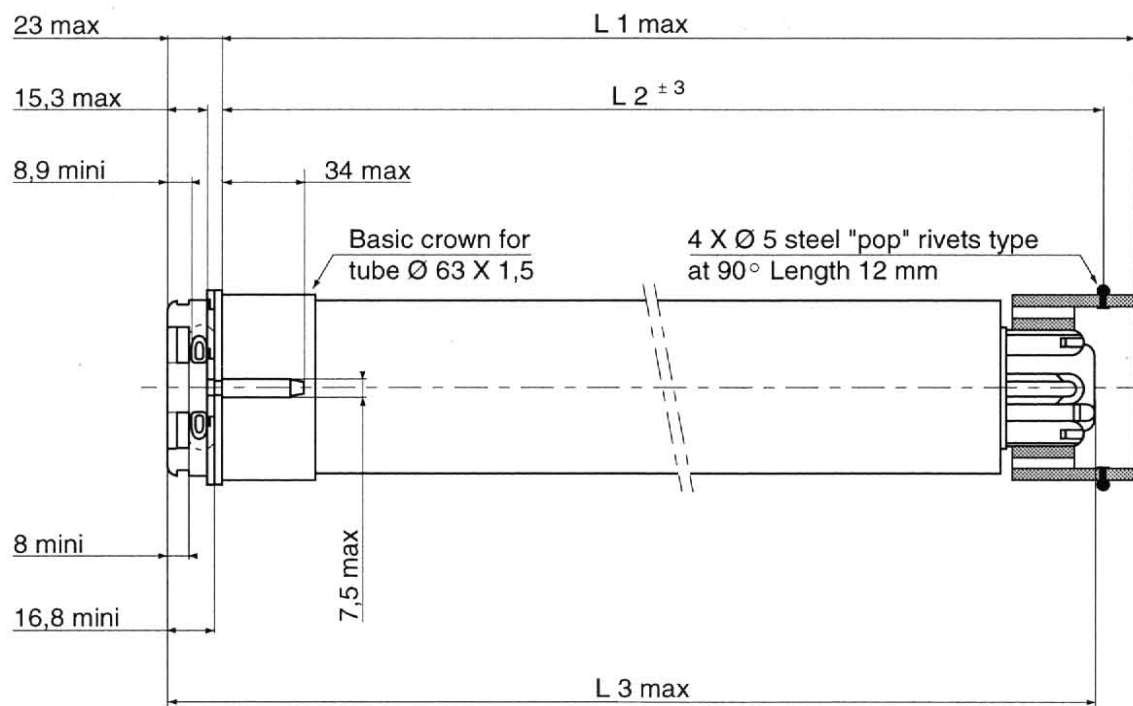
**LT 60 TECHNICAL DATA**


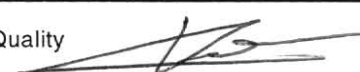
DMKI - FPTE  
RANGE 5  
LT60Range5R0

Nominal voltage	240 V - 50 Hz
Power supply tolerances	225 - 254V
Thermal time	5 minutes
Number of wires of the cable	4
Wire section	0,75 mm <sup>2</sup>
Type of limit switch unit	Quick limit switch
Capacity of the LSU	35 turns
Repeatability	± 5°
System of protection	IP 44
Interface drawings	Wheel interface LT60 206801-Crown interface LT60, LT60ADF, FTS60 & LT60CSI 206802-Interface drawing star head LT60 206803-Interface drawing LT50&60 buttons 206817.
Basic crown for tube Ø	63 x 1,5 mm
Temperature working range	Normal use : -10°C to +40°C    Exceptionnal use (20% of the life time not continuous) : -25°C to + 70°C
Noise level	According to SOMFY measures (for information only).Worse value : in load up direction during 10 seconds.

Designation	Nm	rpm	reference	mm	mm	mm	mm	W	A	°C	Brake type	kg	dB(A)
	Nominal torque	Nominal speed		L1 max.	L2 (±3 mm)	L3 max.	tube	Rated power	Rated current	Thermal tripping		Weight	Noise
<b>660R5</b>	<b>60</b>	<b>12</b>	200480	614	597	620	550	260	1,15	140	sliding	4,05	62
<b>680R5</b>	<b>80</b>	<b>12</b>	200481	614	597	620	550	340	1,5	150	sliding	4,3	65
<b>6100R5</b>	<b>100</b>	<b>12</b>	200482	659	642	665	595	400	1,75	150	sliding	4,7	65

WIRING	Neutral	Blue
	White button	Brown
	Yellow button	Black
	Earth	Green / Yellow



Visa : BEM 
Quality 
MKI 