



14/03/00

LT 60 SASO TECHNICAL DATA

DMKI - FPTE
RANGE 6
LT60SASORange6R0

Nominal voltage	220 V - 60 Hz
Power supply tolerances	200 - 240 V
Thermal time (to reach 115°C)	2,25 minutes
Number of wires of the cable	4
Wire section	0,75 mm ²
Type of limit switch unit	Quick limit switch
Capacity of the LSU	35 turns
Repeatability	± 5°
System of protection	IP 44
Interface drawings	Wheel interface LT60 206801-Crown interface LT60, LT60ADF, FTS60 & LT60CSI 206802-Interface drawing star head LT60 206803-Interface drawing LT50&60 buttons 206817.
Basic crown for tube Ø	63 x 1,5 mm
Temperature working range	Normal use : -10°C to +40°C Exceptionnal use (20% of the life time not continuous) : -25°C to + 70°C
Noise level	According to SOMFY measures (for information only).Worse value : in load up direction during 10 seconds.

Designation	Nm	rpm	reference	mm	mm	mm	mm	W	A	°C	Brake type	kg	dBA
	Nominal torque	Nominal speed		L1 max.	L2 (±3 mm)	L3 max.	tube	Rated power	Rated current	Thermal tripping		Weight	Noise
660R6	60	14	901203	659	642	665	595	290	1,4	150	sliding	4,05	62
680R6	80	14	901204	659	642	665	595	370	1,8	150	sliding	4,3	67
6100R6	100	14	901205	659	642	665	595	450	2,15	150	sliding	4,7	68

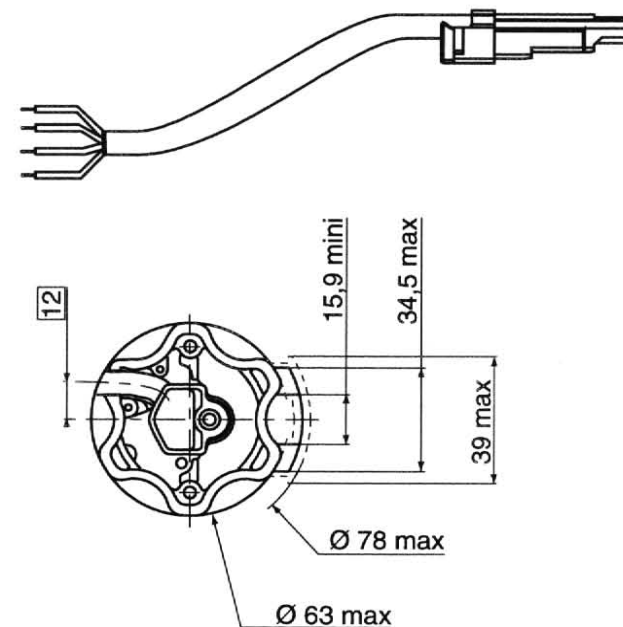
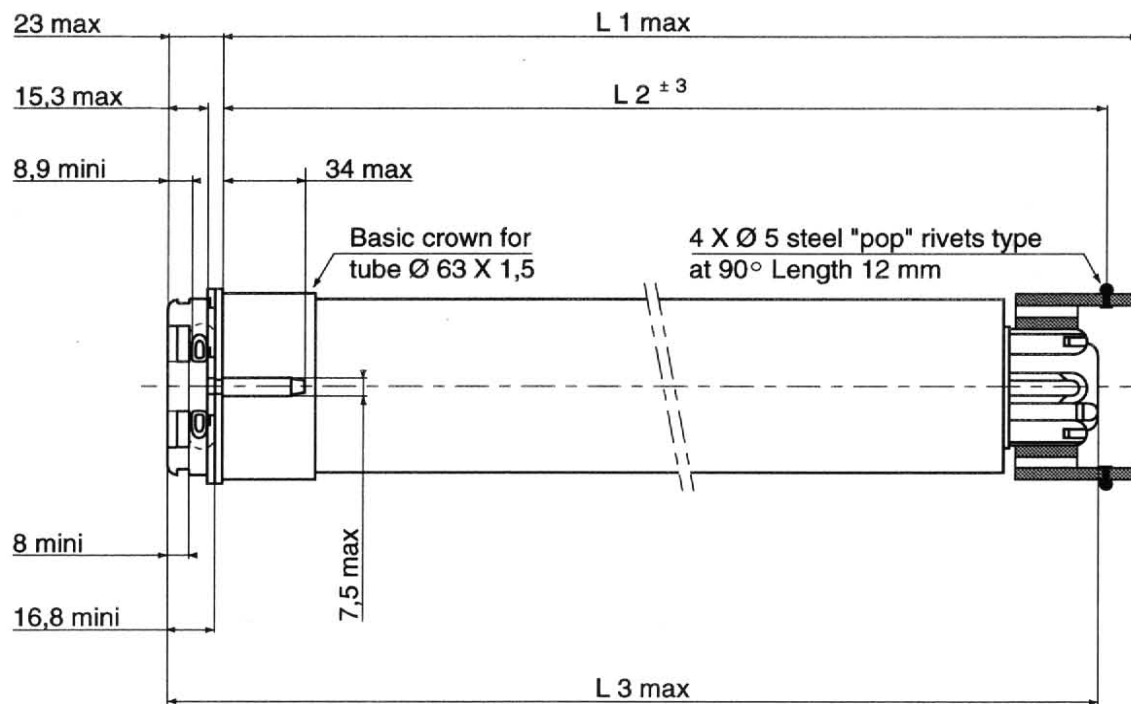


14/03/00

LT 60 SASO TECHNICAL DATA

RANGE 6

WIRING	Neutral	Blue
	White button	Brown
	Yellow button	Black
	Earth	Green / Yellow



Visa : DT *[Signature]* Quality *[Signature]* GMD *[Signature]*