



RBD Catalogue 2023

Residential Solutions

somfy®



Connected solutions

- TaHoma Suite 8
- TaHoma Din-Rail 10
- Tahoma Switch 12

Index



Motorization for Rolling Shutters

- What is a motorized rolling shutter? .. 16
- Benefits of motorized rolling shutter .. 17
- Altus io 18
- Motor selection for a rolling shutter .. 19



Motorization for Curtains & Blinds

- CURTAINS**
- Glydea™ 24
- INTERIOR BLINDS**
- Sonesse® 26



Motorization for Outdoor Living

- ZIP SCREEN**
- Maestria io 30
- PERGOLA**
- Pergola Tilt 24 V
- Control Unit Pergola Tilt io 32
- AWNING**
- Sunilus io 34
- Sunea 36

Motorization for Gates



- SLIDING GATES**
- Elixo Smart io 40
- Elixo 500 230 V RTS 42
- Elixo 800 230 V RTS 44
- Elixo 2000 230 V RTS 46
- SWINGING GATES**
- Ixengo L 3S io 48
- Ixengo L 3S RTS 50
- Ixengo JS/JL 230 V RTS 52



Motorization for Garage doors

- Dexxo Smart 800/1000 io 56
- Dexxo Pro 800/1000 3S RTS 58



Motorization for Barriers

- Levixo 40/60 24V RTS 62
- Levixo 30/50 230V RTS 64



Video door phones

- V100+ 68
- V350 69
- V500 RTS 70
- V500 Pro io 71

Alarms

- Wireless Alarm System 74

Cameras

- Indoor Surveillance Camera 76
- Outdoor Camera 77



Connected Doorlock

- Door Keeper 78



Climate

- Intesis gateway 82
- Thermostat connected 83
- Thermostat io 84

Controls & Automatism

- Connected transmitters io 88
- Remote controls RTS 89
- Smooove wall switch io & RTS 90
- Nina io & Nina timer io 93
- Connected receivers io & RTS 94
- Access radio controls 96



Choose Somfy



For more than 50 years, Somfy has been driving durable positive motion as a **pioneer in window and door automation**.

Developed with **comfort, ease of use, security, and sustainability in mind**, our **seamless and connective solutions** are designed to help people **make the move** to living spaces impactful for humans and impactless on nature.



- 59 countries & 117 subsidiaries
- 17 R&D centers & 8 production sites
- More than 8 Million connected devices
- 80 logistics centers & warehouses worldwide

5 YEARS WARRANTY
Standard 5-year warranty for Somfy Brand solutions (motors, accessories, order points, automation, control & connected solutions) for rolling & swinging shutters**, exterior/interior blinds**, pergola, curtains, security (alarm systems & cameras), garage doors & integrated Invisio motorized system for gates.

** out of batteries

SPECIFIC LIMITATION

3 YEARS WARRANTY
• All Somfy brand motors*, control box, kits for gates, and batteries for swinging shutter motors
**out of Invisio integrated motorization for gate*

7 YEARS WARRANTY
• Somfy Brand products for rolling shutters for the S&SO RS 100 ranges.
• Oximo WireFree RTS solar solution for rolling shutter (motor, panel, and battery installed exclusively together)

INTERNATIONAL CERTIFICATIONS



5 YEAR WARRANTY - A COMMITMENT TO QUALITY

Partnering with Somfy means working with an industry leading provider of motors and controls for motorized blinds, motorized shades, motorized draperies, motorized awnings and motorized rolling shutters. Somfy has been offering products with unsurpassed performance which reflect years of innovation and development. The result is a reputation for state-of-the-art products that are simple to use, easy to install and are dedicated to providing full value and satisfaction to end users. Our commitment to this exceptional level of quality is demonstrated with our industry leading warranty of 5 years.

Somfy offers its professional customers (installers, manufacturers, resellers, etc.) a five-year warranty on its motors and controls, starting from the date of manufacture. This is offered in the context of conditions clearly set out for professionals. Ask your installer for details.

COMPLIANCE WITH SAFETY AND QUALITY STANDARDS

Somfy motors and controls comply with UL and CSA safety standards. Somfy is proud to have achieved ISO 9001.

Certification in 1005 as well as safety approvals from Underwriters Laboratories and the Canadian Standard Association.

All products are sent through an extensive quality assurance process including testing in extreme environmental conditions, for electrostatic discharge, mechanical shock, and high life cycle. Somfy products have received 600 approvals in 40 countries.



Somfy products comply with AU/NZ safety standards and are C - Tick approved.

All products are sent through an extensive quality assurance process including testing in extreme environmental conditions, for electrostatic discharge, mechanical shock, and high life cycle. Somfy products have received 600 approvals in 40 countries





Connected Solutions

The first **smart control** to **centralize & connect** your home equipment

You have the power to go connected

Discover **TaHoma suite**, Somfy's latest innovation that makes connectivity simpler, more accessible and more intuitive, giving you the power to go connected.

A trio of complementary and exclusive tools:



TaHoma switch | The power to win over your customers

TaHoma switch is the first smart control to centralise and connect home equipment, enabling your customers to ease their daily routine, save precious time and enjoy greater peace of mind.

Give yourself the power to:

Sell more easily

Adding connectivity brings valuable benefits thanks to centralisation and all the power of TaHoma. Connected equipment is now easy for you to sell.

Give your customers the power to:

Customize scenes

It has two customisable scene launcher buttons to launch their daily routines in just one touch.

Control conveniently

In 3 different ways: on the smart control; at home, away or automatically using TaHoma app; and with a compatible voice assistant.



Enrich their home experience

Somfy's complete and open ecosystem is compatible with close to 300 types of products from Somfy and partners.

TaHoma pro | The power to service remotely

TaHoma pro app, Somfy's smartphone tool, helps you quickly and reliably commission all connected equipment. Your installations are now easier to manage, helping you save time and get more done in total confidence.



Give yourself the power to:

Be efficient

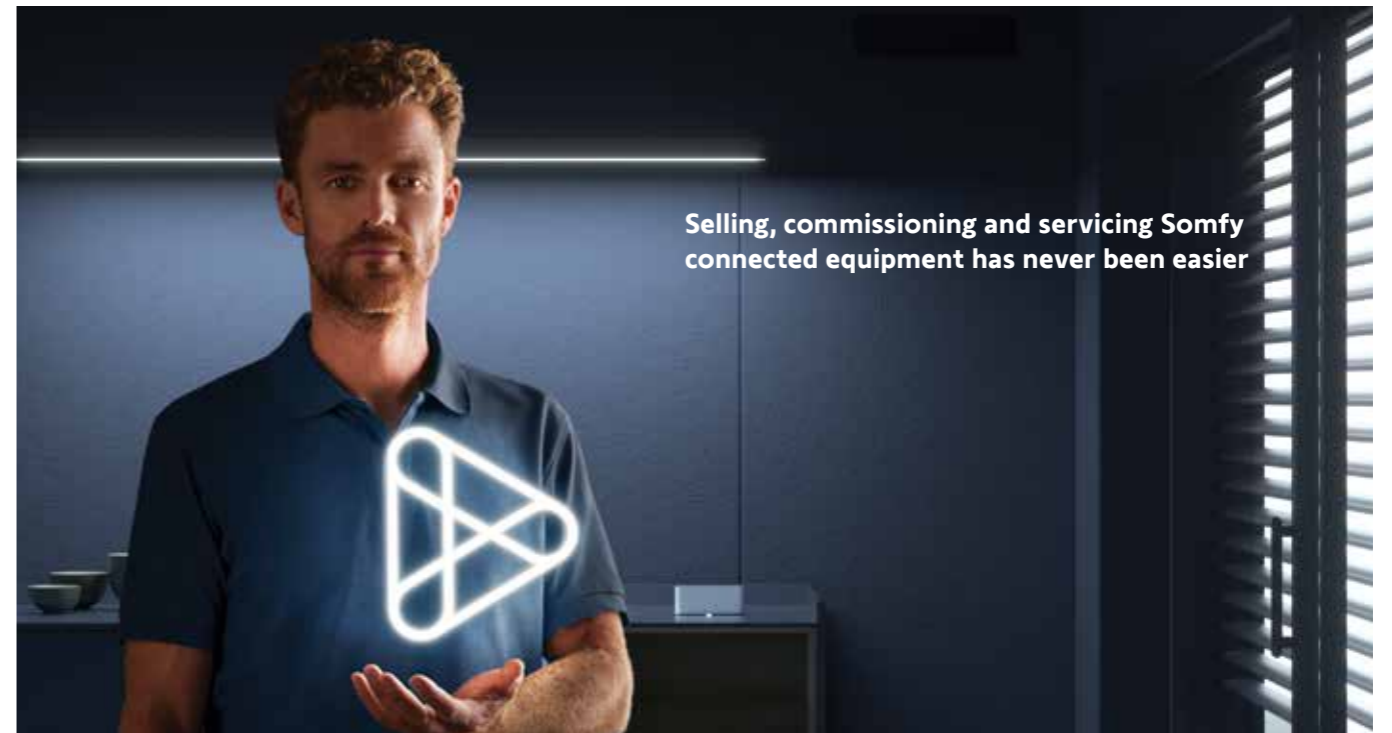
Simpler management of all your connected installations directly from your app.

Set up intuitively

A step-by-step guide to set up a connected installation and reliably adjust motors, error-free.

Work on-the-go

All of your installations are right in your pocket, available at the tap of a finger.



Serv-e-Go | The power to service remotely

Serv-e-Go is Somfy's online maintenance tool for connected equipment. It gives you a clear overview of all your installations, helping you diagnose problems and prepare better for customer visits. Spend less time on the road and more time on activities that have greater value for your business.

Give yourself the power to:

Get full visibility

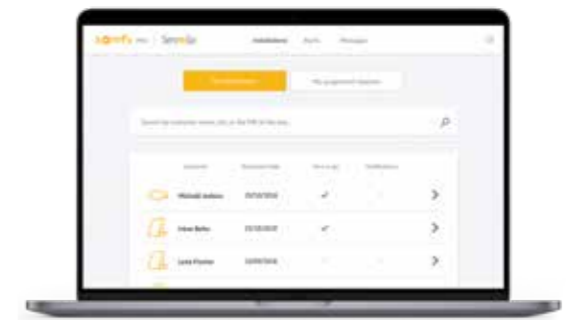
Lists all the connected equipment installed and shows its current status.

Stay ahead

Remote troubleshooting allows you to better prepare for service visits, by planning the time and equipment required.

Be responsive

Quickly service equipment and reconfigure it remotely, without leaving your office. Receive alerts and take action before customers call.



TaHoma® DIN-Rail

Installation designed to save time...

With a box integrated directly into the building

TaHoma® DIN-Rail fits directly and easily into the electrical panel during building construction. The compact solution minimizes the risk of breakage or theft from the work site and is highly discreet for occupants.



In brief

TaHoma® DIN-Rail is a box dedicated to new housing, individual or collective, which is built directly into the switchboard. It is an ideal solution for professionals, thanks to ease of installation and familiarization. It is also ideal for various occupant change procedures.

Advantages

1. Built into the frame

Designed to perfectly follow the building's construction cycle, TaHoma DIN-Rail is built directly into the switchboard. Hence you limit the risk of breakage or theft during the work. With a width of just 7 DIN units, it will take up a minimum of space, for a discreet presence. The quick-release connections fitted will reduce the installation times.

2. TaHoma, the home control app, for use either in-situ or remotely.

TaHoma® is the app that will make your life easier, and simplify your customers' day-to-day lives. This application will enable your customers to control their home equipment either in-situ or remotely. There are multiple possibilities, checking the equipment status, programming scenarios, and also advanced scenarios, thanks to Somfy range sensors.

3. An open and scalable solution

TaHoma® DIN-Rail is compatible with Somfy products, partner products and voice assistants. Your customer can add new products over time with the TaHoma app®.



Created for and with users, for a completely new experience.

Accessible for all, simple & intuitive, hints available at any time.

- Shutters, Blinds & Curtains
- Lighting & Sockets
- Gates, Garage doors
- Terraces, Awnings
- Cameras & Alarms
- Heating, Thermostat
- Music



5 YEARS WARRANTY

App control

Compatible Voice control*

works with Google Home

works with alexa

Works with Apple Home

Available on the Google play | Available on the App Store



Specifications	Details
Compatible equipment	
Requirements	Wi-Fi router with Internet access
Technical data	Power supply: 230V / 5V DC - 1A Wireless connection: Wi-Fi 802.11 802.11 b/g/n 2.4 GHz or RJ45
Pack contents	TaHoma® DIN-Rail "User manual" sticker for switchboard
Dimensions	125 x 90 x 60 mm i.e. 7 DIN units
Weight	194 g

TaHoma® Switch

The smart control to centralize and connect your home



Open and evolutive solution

- Compatible with Somfy and partner products as well as voice assistants
- New products can be easily added with the TaHoma application
- Scenes can be adapted with the buttons according to the customers needs

Centralize and control the home in one touch

- Dedicated buttons to launch 2 favourite scenes
- Customize scenes as much as desired

Designed for all desires

- Fully customizable
- Fits anywhere in the home, thanks to the Wi-Fi connection and its sobriety



In brief

Discover TaHoma® switch, the smart control to centralise & connect the home. Connected equipment will then ease your customer's daily life, bringing more convenience and peace of mind.

Advantages

1. Centralize & control your home in one touch

Launch your 2 favourite scenes from the buttons. Customise them as much as you want! Take advantage of our new mobile application made for and with its users, for a totally new experience.



2. Designed for all desires

TaHoma® switch is fully customizable according to the daily life of your customers. The possibilities are endless, especially thanks to the Wi-Fi connection and its sobriety, TaHoma® switch can be placed anywhere in the home, and adapts to any interior style.

Made for and with its users, for a completely new experience.

Accessible to all, simple & intuitive, and providing guidance at all time!

Benefit from a greater link with your customers

Your company name is displayed in the user TaHoma® app giving you more visibility.

3. Open and evolutive solution

Compatible with Somfy and partner products as well as voice assistants. Your customers can add new products at their own pace with the TaHoma® application, and can adapt the scenes with the buttons according to their needs.

Specifications	Details
Compatible equipment	
Requirements	Wi-Fi router with Internet access
Technical data	Power supply: 230V / 5V DC - 1A Wireless connection: Wi-Fi 802.11 802.11 b/g/n 2.4 GHz
Pack contents	TaHoma® switch Plug + Power-supply cable (1.5m)
Dimensions	162 x 67.5 x 34 mm
Weight	235 g



Rolling Shutters

Control your **shutters** from your **phone** or your **remote control** from the **comfort of your sofa**

Rolling Shutter

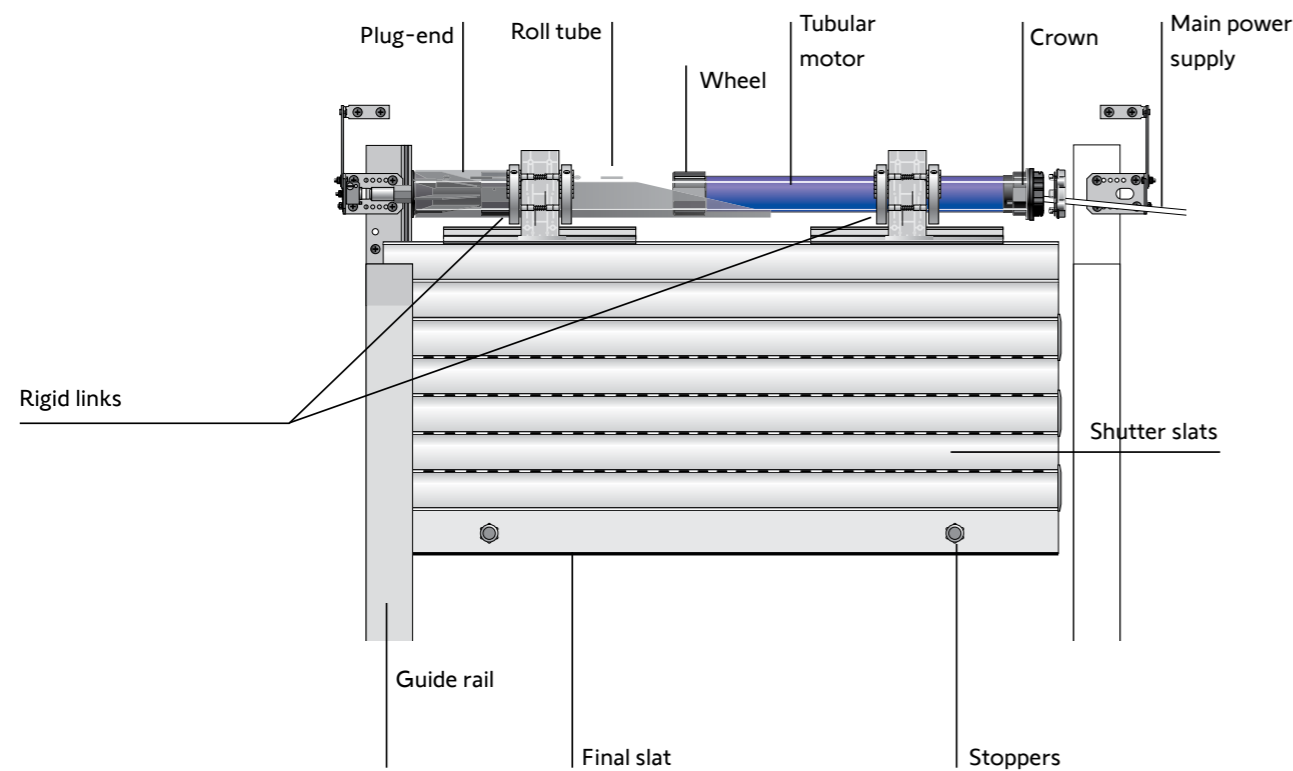
Somfy service quality...Makes all the difference!

What is a motorized roller shutter?

The tubular motor is integrated into the roll tube around which the curtain is wound. It is electrically powered.

It is operated either by:

- A wired system integrated in the wall
- A wireless wall-mounted control unit
- A remote command or an automated system (programmer, timer, temperature or sun sensor...)



All roller shutters can be motorized!

Whether you're having a new house built or restoring an existing one, there is a Somfy motorisation solution to suit every type of roller shutter.



How to select the motor?

When selecting motors for roller shutters, the following 4 criteria should be examined:

- Type of slat
- Height of roller shutter
- Diameter of roller tube

Tube deflection chart

Once the weight has been calculated for a roller shutter, the chart below helps us select the appropriate tube to use according to the weight and the width of the roller shutter. The maximum deflection of the tube allowed in this chart is 2.5 mm per meter.

Benefits of motorized Rolling Shutters

Introduction

An experimental study was done with the American University of Beirut (AUB) to test the effect of shutter placement on energy savings and window performance in hot and humid climates like KSA.

3 Major benefits were found that could improve the quality of life in Residential Buildings.

A) Energy savings for different shutter positions:

The percentage of reduction in electrical energy consumption was found each time the shutter is closed.

Case	Electrical Energy Consumption (Wh/m ²)	Percentage of Reduction compared to Base-case (%)
Shutter Fully-opened	153.9	-
Shutter 25% Closed	145.1	5.7
Shutter 50% Closed	140.8	8.5
Shutter 75% Closed	134.8	12.4
Shutter Fully-closed	115.8	24.8

Findings: In the climate of Kingdom Saudi Arabia when Rolling Shutters devices are used and 50% closed can result with 37% saving of annual cooling energy consumption.

B) Furniture protection from Ultraviolet transmission through the space envelope:

Ultraviolet (UV) transmission has become a concern especially in countries with high amounts of solar radiation hitting the building envelope.

It could be concluded that the Motorized shutter is very resistive to UV transmission.

This window would ensure no UV passage to the interior space that might harm the occupants as well as the furniture over long periods of time.

Air leakage into a space has become a problem as it might increase the cooling load and might contain undesired bacteria, chemicals concentration or even sand.



C) Findings about Air infiltration through window/shutter

Rolling Shutter and window has great resistance to air passage, and any other type of material that might be transported through air into the inner space, especially sand.



Altus io - ø 50 & 60

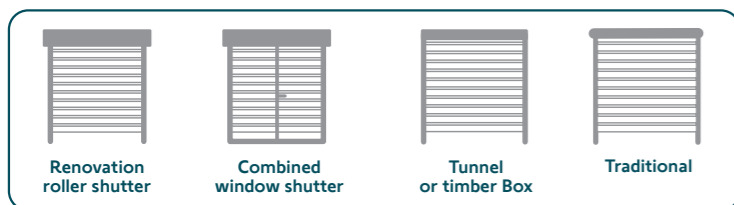


What is a motorized roller shutter?

The tubular motor is integrated into the roll tube around which the curtain is wound. It is electrically powered.

It is operated either by:

- A wired system integrated in the wall
- A wireless wall-mounted control unit
- A remote command or an automated system (programmer, timer, temperature or sun sensor...)



Product main functionalities

The "My" function
To move in one click your shutter to your pre-recorded favourite position.

Tamper resistant
Burglary delayed (If the roller shutter is equipped with rigid links).

Somfy Drive Control
• The shutter mechanism last longer.
• No need for maintenance.

Obstacle sensitivity with ABS wheel

Remote limit setting

Benefits for professionals

- Easy Way to set**
- Set the rotation direction
 - Set the end limits
 - Program the transmitter
 - Less wiring
 - Simple for re-adjustment of the end limits by remote control

- Wide range of functions and designs**
- Compatible with all io controls Somfy range
 - Compatible with sun sensors

Sell value
More performance: widened and competitive offer of torques/speeds

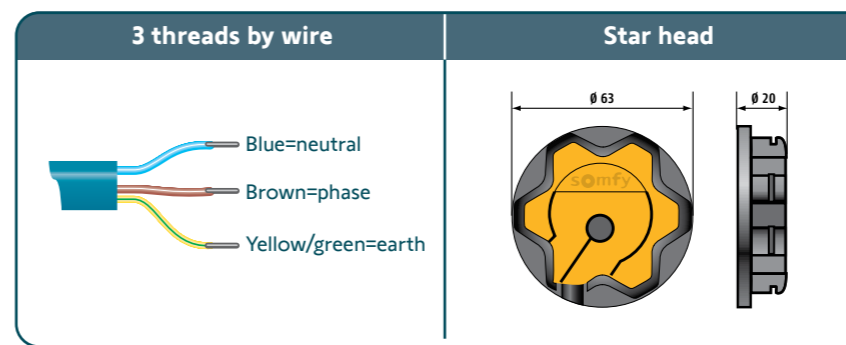
Benefits for End-Users

- Easy to use
- Remote control
- Centralization function: move more than one roller shutter from a remote
- Manage your shutter with a single remote control
- Upgradeable system
- The "my" position that allows you an intermediate position
- Memory capacity: 12 channels and 3 sensors
- Less Radio interference
- Repeat order up to 8 times if necessary
- Increased security by system key

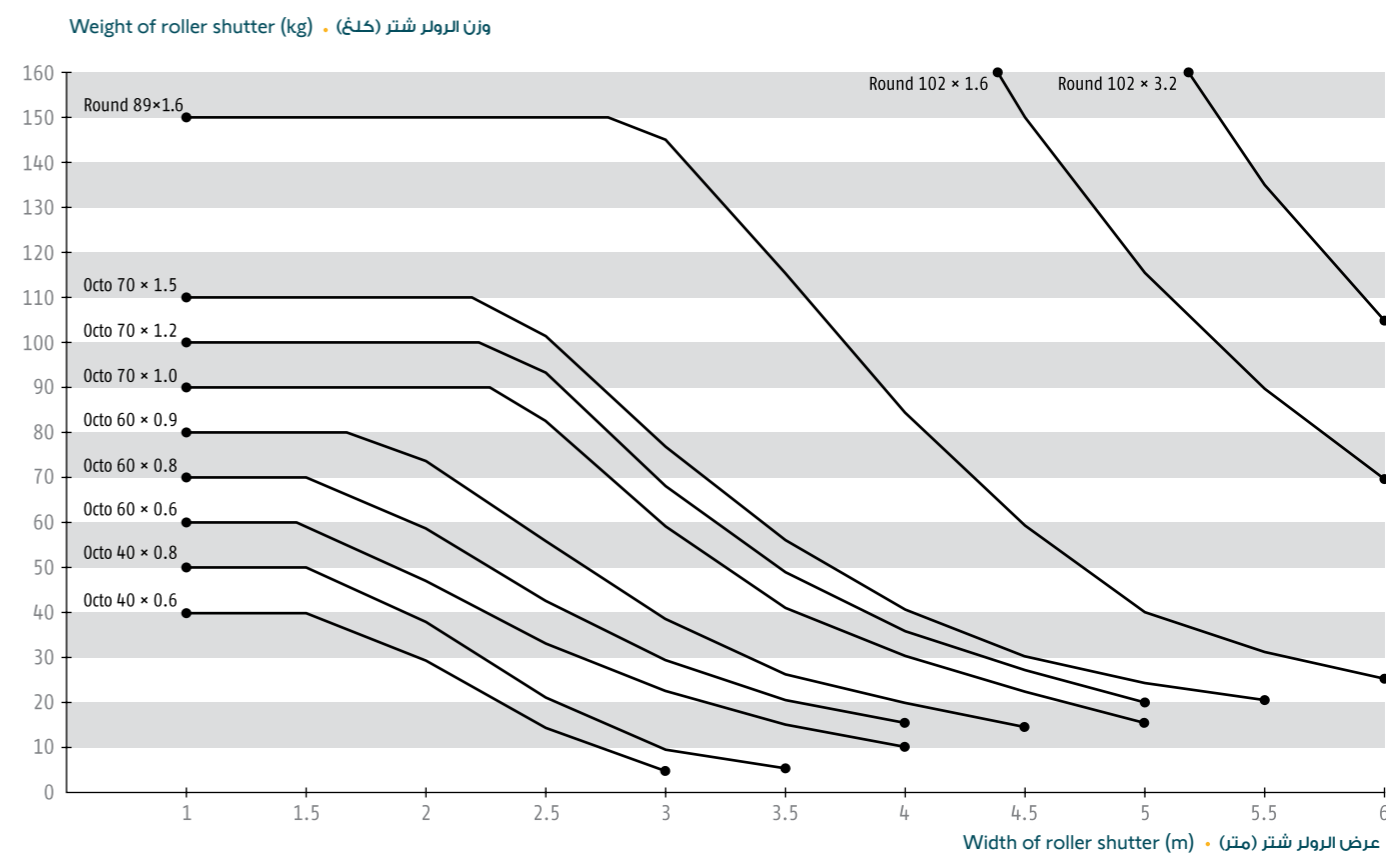
Technical Specifications

Altus io	
Thermal Time	4 min
Index Protection Rating	IP 44
Cables	Removable RRF or VVF
Limit Switch Unit	Electronic
Electric Insulation	ø 50 Class 1

Availability (According to products): Range 1, 3, 4 and Range 6



The values indicated in the below chart are indicative, please refer to the tube manufacturer for further details.



Rolling Shutter - Motor selection

Range 1: 230V/50Hz - Range 6: 220V/60Hz

Roller shutter slat type 35x5 mm | 37x8 mm | 40x8 mm | 41x8mm | 45x8 mm

Height	Tube Diam (mm)																				
Up to 1.5 m	40	9 4 Nm	19 9 Nm	29 13 Nm																	
	60	13 6 Nm	17 8 Nm	21 10 Nm	32 15 Nm	42 20 Nm	53 25 Nm	64 30 Nm	74 35 Nm	85 40 Nm	106 50 Nm										
	70	12 6 Nm	16 8 Nm	20 10 Nm	30 15 Nm	40 20 Nm	50 25 Nm	60 30 Nm	70 35 Nm	80 40 Nm	100 50 Nm	110 55 Nm	120 60 Nm	140 70 Nm	160 80 Nm	170 85 Nm	200 100 Nm	240 120 Nm			
	89	11 6 Nm	15 8 Nm	18 10 Nm	27 15 Nm	37 20 Nm	46 25 Nm	55 30 Nm	64 35 Nm	73 40 Nm	92 50 Nm	101 55 Nm	110 60 Nm	128 70 Nm	147 80 Nm	156 85 Nm	183 100 Nm	220 120 Nm			
From 1.5 to 2.5 m	40	8 4 Nm	18 9 Nm	26 13 Nm																	
	60	11 6 Nm	15 8 Nm	18 10 Nm	28 15 Nm	37 20 Nm	46 25 Nm	55 30 Nm	64 35 Nm	73 40 Nm	92 50 Nm										
	70	11 6 Nm	14 8 Nm	18 10 Nm	27 15 Nm	36 20 Nm	45 25 Nm	54 30 Nm	63 35 Nm	72 40 Nm	90 50 Nm	99 55 Nm	108 60 Nm	126 70 Nm	144 80 Nm	153 85 Nm	180 100 Nm	216 120 Nm			
	89	10 6 Nm	13 8 Nm	17 10 Nm	25 15 Nm	33 20 Nm	42 25 Nm	50 30 Nm	59 35 Nm	67 40 Nm	84 50 Nm	92 55 Nm	100 60 Nm	117 70 Nm	134 80 Nm	142 85 Nm	167 100 Nm	201 120 Nm			
From 2.5 to 3.5 m	40	7 4 Nm	15 9 Nm	21 13 Nm																	
	60	10 6 Nm	13 8 Nm	16 10 Nm	24 15 Nm	32 20 Nm	40 25 Nm	48 30 Nm	55 35 Nm	63 40 Nm	79 50 Nm										
	70	9 6 Nm	12 8 Nm	15 10 Nm	23 15 Nm	31 20 Nm	39 25 Nm	46 30 Nm	54 35 Nm	62 40 Nm	77 50 Nm	85 55 Nm	93 60 Nm	108 70 Nm	123 80 Nm	131 85 Nm	154 100 Nm	185 120 Nm			
	89	8 6 Nm	11 8 Nm	14 10 Nm	21 15 Nm	28 20 Nm	35 25 Nm	42 30 Nm	50 35 Nm	57 40 Nm	71 50 Nm	78 55 Nm	85 60 Nm	99 70 Nm	113 80 Nm	120 85 Nm	142 100 Nm	170 120 Nm			

Roller shutter slat type 45x11 mm | 52x13 mm | 53x14 mm | 55x13 mm | 60x14 mm

Height	Tube Diam (mm)																				
Up to 1.5 m	60	9 6 Nm	12 8 Nm	15 10 Nm	23 15 Nm	30 20 Nm	38 25 Nm	46 30 Nm	53 35 Nm	61 40 Nm	76 50 Nm										
	70	9 6 Nm	12 8 Nm	15 10 Nm	23 15 Nm	30 20 Nm	38 25 Nm	45 30 Nm	53 35 Nm	60 40 Nm	75 50 Nm	83 55 Nm	91 60 Nm	106 70 Nm	121 80 Nm	128 85 Nm	151 100 Nm	181 120 Nm			
	89	8 6 Nm	11 8 Nm	14 10 Nm	21 15 Nm	28 20 Nm	35 25 Nm	42 30 Nm	50 35 Nm	57 40 Nm	71 50 Nm	78 55 Nm	85 60 Nm	99 70 Nm	113 80 Nm	120 85 Nm	142 100 Nm	170 120 Nm			
	102		M	A	R	I	N	E	R		56 50 Nm	70 55 Nm	77 60 Nm	84 70 Nm	98 80 Nm	112 85 Nm	119 100 Nm	140 120 Nm	168 150 Nm	210 200 Nm	280 250 Nm
From 1.5 to 2.5 m	60	8 6 Nm	11 8 Nm	14 10 Nm	20 15 Nm	27 20 Nm	34 25 Nm	41 30 Nm	47 35 Nm	54 40 Nm	68 50 Nm										
	70	8 6 Nm	11 8 Nm	14 10 Nm	20 15 Nm	26 20 Nm	33 25 Nm	39 30 Nm	46 35 Nm	53 40 Nm	67 50 Nm	72 55 Nm	79 60 Nm	92 70 Nm	105 80 Nm	112 85 Nm	131 100 Nm	158 120 Nm			
	89	7 6 Nm	10 8 Nm	12 10 Nm	19 15 Nm	25 20 Nm	31 25 Nm	37 30 Nm	44 35 Nm	50 40 Nm	64 50 Nm	69 55 Nm	75 60 Nm	87 70 Nm	100 80 Nm	106 85 Nm	125 100 Nm	150 120 Nm			
	102		M	A	R	I	N	E	R		49 50 Nm	61 55 Nm	67 60 Nm	74 70 Nm	86 80 Nm	98 85 Nm	104 100 Nm	123 120 Nm	147 150 Nm	184 200 Nm	245 250 Nm
From 2.5 to 3.5 m	60	8 6 Nm	10 8 Nm	13 10 Nm	19 15 Nm	25 20 Nm	31 25 Nm	38 30 Nm	44 35 Nm	50 40 Nm	63 50 Nm										
	70	7 6 Nm	10 8 Nm	12 10 Nm	19 15 Nm	25 20 Nm	31 25 Nm	37 30 Nm	43 35 Nm	50 40 Nm	62 50 Nm	68 55 Nm	74 60 Nm	87 70 Nm	99 80 Nm	105 85 Nm	124 100 Nm	149 120 Nm			
	89	7 6 Nm	9 8 Nm	12 10 Nm	17 15 Nm	23 20 Nm	29 25 Nm	35 30 Nm	41 35 Nm	46 40 Nm	58 50 Nm	64 55 Nm	69 60 Nm	91 70 Nm	93 80 Nm	98 85 Nm	116 100 Nm	139 120 Nm			
	102		M	A	R	I	N	E	R		44 50 Nm	55 55 Nm	61 60 Nm	66 70 Nm	77 80 Nm	88 85 Nm	94 100 Nm	110 120 Nm	132 150 Nm	165 200 Nm	220 250 Nm



Curtains & Blinds

Opening & closing of all blinds and curtains with a **click** on your **phone, remote control or by voice**

Glydea™ Ultra

Silent motorization solution for curtains

In high-end residential & hospitality projects

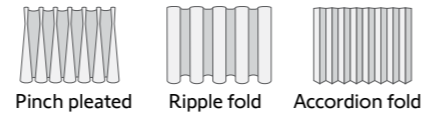
Glydea™ ULTRA is suitable for every project, all decors and in any place where silence offers well-being.

It is compatible with multiple technologies to suit user control preferences and is also connected to meet the needs of smart buildings and smart homes.

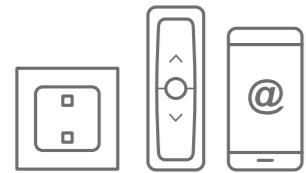


Our motors and accessories guarantee an industry-leading level of premium silence. Enhance new interior applications with the added value of silence and power.

Glydea™ ULTRA is available for the most popular types of curtains: classic, ripple fold, pinch pleated, and accordion fold.



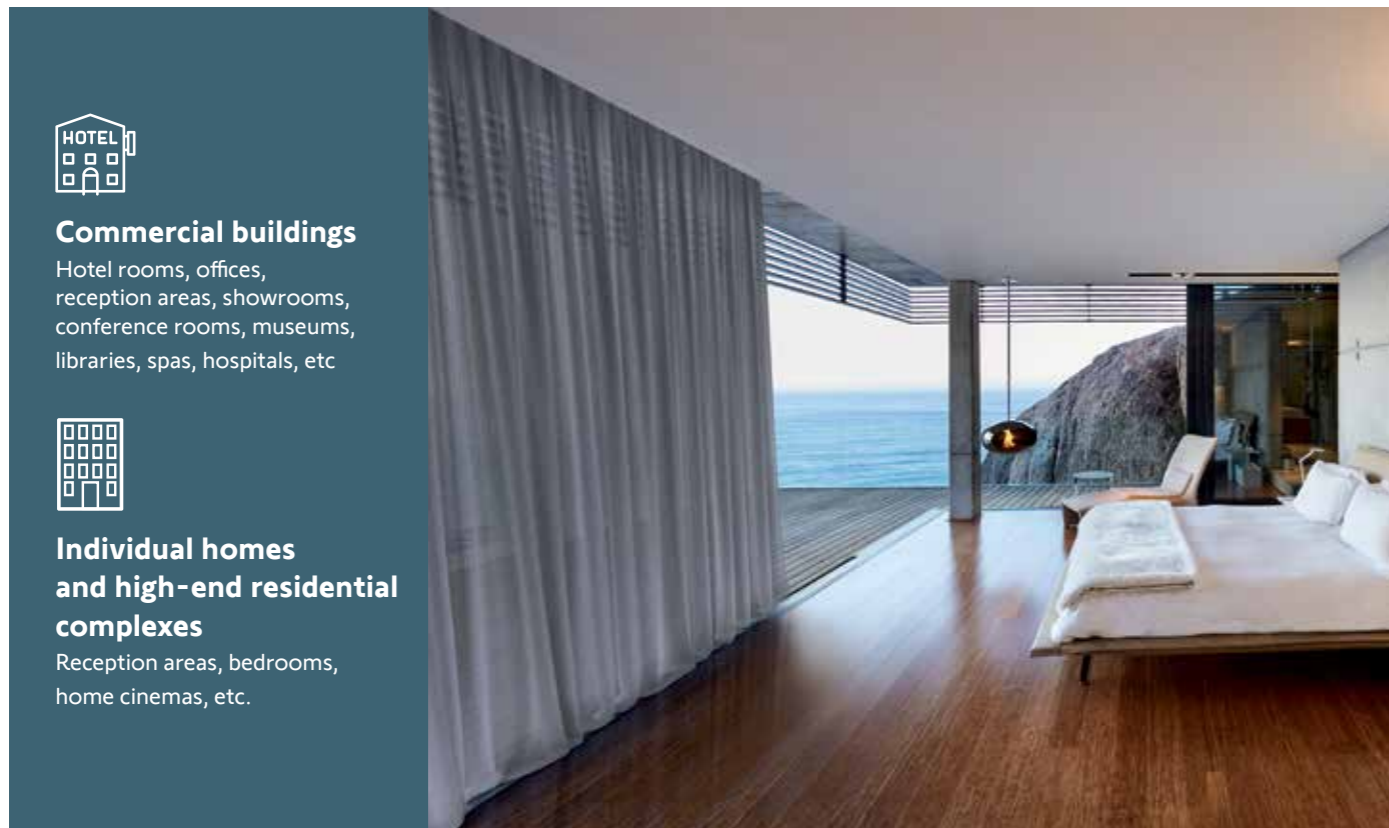
A choice of controls:



Wall switch: Smoove
Remote control: Telis, Situo
App control: TaHoma Switch



Smart building management
with animeo compatibility



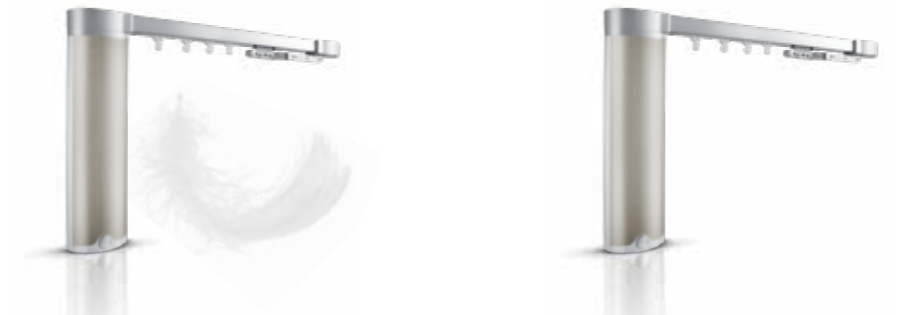
Commercial buildings

Hotel rooms, offices, reception areas, showrooms, conference rooms, museums, libraries, spas, hospitals, etc



Individual homes and high-end residential complexes

Reception areas, bedrooms, home cinemas, etc.



Glydea™ ULTRA 35e

Loading **35kg**
Maximum track length **10m**

Straight and curved track

Glydea™ ULTRA 60e

Loading **60kg**
Maximum track length **12m**

Straight and curved track

Sound level	38 dBA at silent mode	
Torque	0.6 Nm	1.0 Nm
Speed	Default: 15cm/s Normal mode: 12.5 - 20cm/s Silent mode: 7.5cm/s	
Power supply	90 - 255V , 50 - 60Hz	
Open, close, my functions	✓	
Touch motion	✓	
Classic curtains type	✓	
Ripple fold, pinch pleated, accordion fold	✓	
Side or central opening	✓	
Left / Right-side installation	✓	
Top mounting	✓	
Quiet accessories	Specific silence accessories to maximize acoustic performance	
Control technology		

* With module



To choose Somfy is to choose the highest levels of quality. Every product comes with a 5-year warranty and complies with international certifications and safety standards. Our experienced professionals are always on hand to provide advice too.

The range of silent motors for interior blinds

Offer quiet, customized, value-added indoor window coverings

that set you apart from the competition and help you to gain new business

- Receive assistance at every stage of the installation process to ensure that your quiet motorized products offer the very best performance.
- Optimize your productivity. The Sonesse® motor is so easy to integrate that you can optimize your productivity without changing your assembly methods.

Sonesse® 40 Sonesse® 50 Sonesse® ULTRA 50 AC

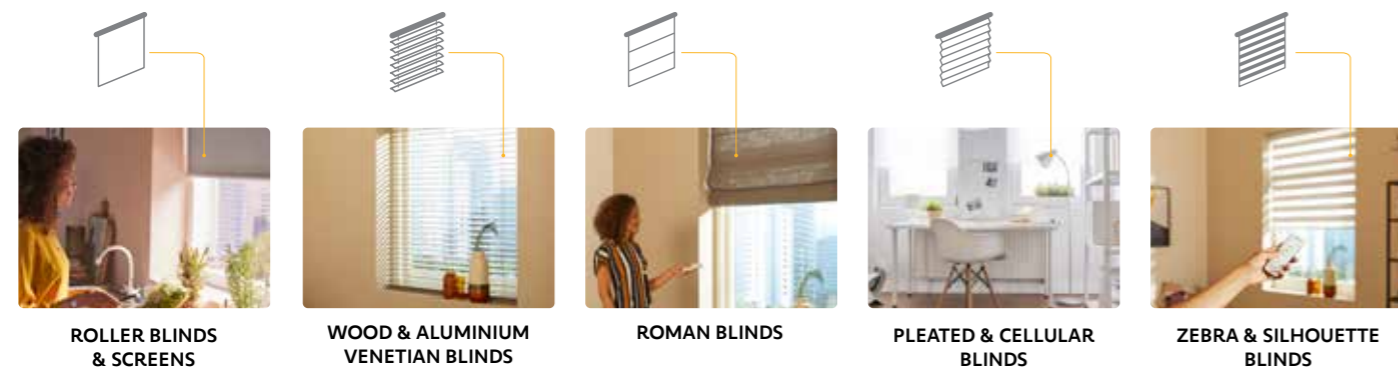


Sound Level	≤ 47 dBA	≤ 47 dBA	≤ 38 dBA ULTRA Quiet
Torque	3 Nm 6Nm 9Nm	6 Nm 10Nm	6 Nm
Speed	30 rpm 20 rpm 12 rpm	28 rpm 28 rpm	28 rpm
Nominal Voltage	230V - 50Hz AC	230 V - 50Hz AC	230 V - 50 Hz AC
Control Technology			
Certifications			

Bring your creation to life

Sonesse® is available with a wide variety of torques and speeds to motorize all interior solutions including the most demanding in terms of aesthetics, well-being and...silence.

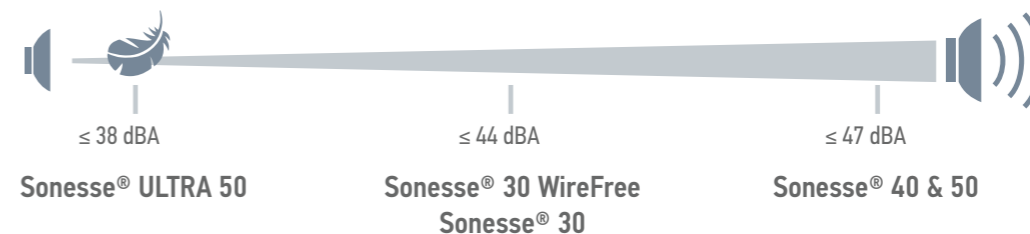
Somfy powers silence for all interior applications



*Sound Level: According to standards ISO 3741 NF 31022 in dBA ref 1pW at nominal torque without end product.

Power of Silence in AC

The Sonesse® range of motors are rated according to their quietness. The volume scale below designates the motor's level of sound output.



A specific accessories range Make silence the new standard

The brake, motor and gear box are all specially designed to absorb noise. The Sonesse® range includes specific silence accessories to create an offer that provides maximum acoustic comfort from design to installation.



Choose the Somfy "Designed for Silence" label

- Choose a motor that guarantees an industry leading level of acoustic comfort.
- Offer a quiet solution for motorized shades every time.
- Conquer new interior applications with added value.



Somfy® reliability

Sonesse® motors and accessories comply with international safety standards. All Somfy products are tested during production. Somfy guarantees its products for 5 years.





Terrace

Enjoy the pleasure of living outside all day long while **protecting** your terrace equipment

Maestria + 50 io for screens















The wireless solution for screens

The all-in-one io screen motor, with advanced features to match all screen specificities

MASTER & PRECISION OF MOVEMENT

The Maestria+ 50 io motorization is designed for all kinds of vertical screens while offering the functionalities needed for Zip applications. Somfy's expertise is at your service to optimize the lifetime of your installations. With its intelligent detection system, at down movement, Maestria+ 50 io identifies real obstacles.

 <p>Star head 6 options to position the motor head</p>	 <p>Smart obstacle detection Stops if it meets an obstacle when coming up or down.</p>	 <p>Automatic fabric length compensation, check adjustment function Guarantee constant projection, even after years, with three frequencies of adjustment</p>
 <p>"my" favourite In one click move the blind to your favourite position</p>	 <p>Remote limit setting</p>	 <p>Flexible Compatible with all types of external screens including automatic catching locks</p>
 <p>Three limit setting modes Automatic, Semi-Automatic and Manual</p>	 <p>Automatic self tensioning To protect the fabric and assure high quality finish</p>	 <p>Compatibility with all cross locks screens Specific setting ergonomics to be compatible with any cross locks on the market.</p>
 <p>Adjustable electronic stretch of the fabric Three levels of adjustment of the tension of the fabric when using locks</p>	 <p>Perfect closure</p>	 <p>Adjustable back release Releases the motor break just after the closure, to relax the fabric. This extends the lifespan of the fabric</p>



Power supply	230 V - 50 Hz				
Torque (Nm)	6	10	15	25	35
Speed (rpm)	17/32	17/32	17/32	17	17
Index Protection Rating	IP 44				
Thermal time	4 minutes				
Number of wires of the cable	3				
Wire section	0,75 mm ²				
Type of limit switch unit	Electronic				
Capacity of the LSU	241 turns				
Repeatability	< ± 5°				
Radio frequency	868-870 Mhz (tri band)				
Capacity of memory	Maxi 9 for 1W transmitter - infinite for 2W transmitters				
Antenna	Integrated				
Range	20 m with 2 reinforced concrete walls to be passed through Possibility to enhance radio range thanks to a Repeater				
Basic crown for tube Ø	50 x 1,5 mm				
Temperature working range	80% of life time between -10°C to +40°C 20% of life time between -20°C to +70°C				

Compatible Applications



- **Protection for your carrier products**
Prevents damage to the fabric if the screen slips out of the guides.
- **Convenient, optimal use for your customers**
Detection system less vulnerable to wind, even gusts.
- **Peace of mind for everyone**
Less interference in use, fewer call-outs for after-sales!



3 accessible technologies

io radio io-homecontrol®
homecontrol®

- Fully secure technology
- Maximum radio reliability
- Real time feedback
- Protocol compatible with the major connected home brands

RTS radio technology Somfy
Radio Technology Somfy®

- Fully secure technology
- Maximum radio reliability
- Protocol compatible with the major connected home brands

WIRED TECHNOLOGY Wired (except for screens with locks)

Pergola Tilt 24 V - Control Unit Pergola Tilt io

A complete solution for a connected outdoor living

The all-in-one io screen motor, with advanced features to match all screen specificities

MAKE LIFE EASY FOR YOURSELF

A motor dedicated to tilting pergola slats to create livable space, users can enjoy in any season. Operate them with LED lights or motorized screens.

Somfy becomes your sole partner, launching a complete solution:

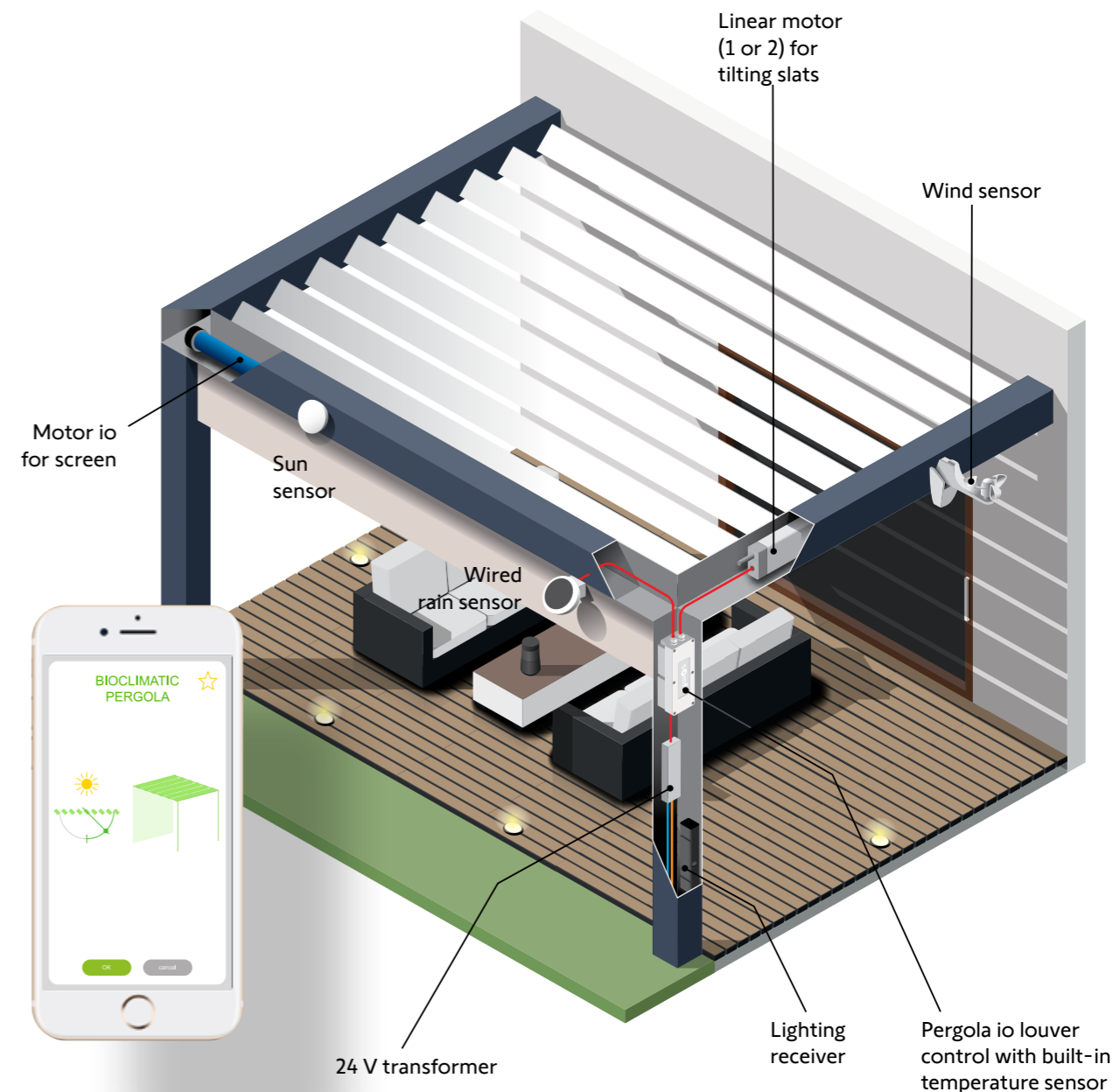


- Easily and reliably control the tilt orientation of Pergola slats so users can maximize the use of outdoor spaces.
- Compatible with other connected solutions so users gain a smart home experience.
- Add optional rain, temperature, and wind sensors to automatically protect spaces against weather conditions.
- Mechanical or electronic end limit settings possible with the control unit.



Peace of mind, whatever the time

Pergola equipment connect using io technology. This opens up endless possibilities and offers greater calm and comfort for your customers' daily lives. Our smart pergola automatically adapts to all situations, demonstrating the depth of its potential.



Power supply	24Vdc TBTS
Radio frequency	868-870 Mhz io homecontrol two-way Tri-bands
Frequency bands and maximum power used	868.000 Mhz – 868.000Mhz e.r.p <25mW 868.700 Mhz – 869.200Mhz e.r.p <25mW 869.700 Mhz – 870.000Mhz e.r.p <25mW
Index Protection Rating	IP 55
Electrical insulation	Class 3 (TBTS 24 V)
Operating temperature	T° use -20°C to 60°C
Dimensions	80 x 265 x 45 mm
Maximum no. of related control points and sensors for 1W	12
Maximum power	288 W
Current	2 x 3A adjustable from 0.5 to 5.5A

Sunilus - 50 & 60 io



The radio solution for awnings, pergolas and vertical screens

The io motor dedicated to awnings and vertical screens with no cassette



Star head
6 options to position the motor head



"my" favourite
In one click move the blind to your favourite position



Remote limit setting



Awning protection
An electronic detection device (crown stop) stops the motor instantly if there is an obstacle during any motion.

→ Simple, effortless comfort

- Move your awning effortlessly and remotely thanks to the radio control
- Move in one click your awning to your favorite "my" position

→ Aesthetics & durability of the awning

- Extend the life of your awning (automated wind protection)
- Protect your patio and interior all day (automated solar protection)
- Create your evening ambiance (lighting solutions)
- Control your patio with a single remote control



Power supply	230 V - 50 Hz
Index Protection Rating	IP 44
Thermal time	4 minutes
Number of wires of the cable	3
Wire section	0,75 mm ²
Type of limit switch unit	Electronic
Capacity of the LSU	Diameter 50: 241 turns Diameter 60: 184 turns
Repeatability	< ± 5°
Radio frequency	868-870 Mhz (tri band)
Capacity of memory	Maxi 9 for 1W transmitter - infinite for 2W transmitters
Antenna	Integrated
Range	20 m with 2 reinforced concrete walls to be passed through Possibility to enhance radio range thanks to a Repeater
Basic crown for tube Ø	50 diameter: 50 x 1,5 mm 60 diameter: 63 x 1,5 mm
Temperature working range	80% of life time between -10°C to +40°C 20% of life time between -20°C to +70°C



	Torque (Nm)	Speed (rpm)	Diameter
Sunilus 50 io 20/17	20	17	50
Sunilus 50 io 25/17	25	17	50
Sunilus 50 io 30/17	30	17	50
Sunilus 50 io 35/17	35	17	50
Sunilus 50 io 40/17	40	17	50
Sunilus 50 io 50/12	50	12	50
Sunilus 60 io 55/17	55	17	60
Sunilus 60 io 70/17	70	17	60
Sunilus 60 io 85/17	85	17	60
Sunilus 60 io 100/12	100	12	60
Sunilus 60 io 120/12	120	12	60



Take full benefits of io-homecontrol® feedback on the terrace

- Full understanding of sun and wind automatisms
- Easy customization of the groups and sun sensor thresholds from the remote control
- Access to io-homecontrol® full home automation offer for more security, energy saving and comfort

Sunea 50 & 60 io



The radio solution for awnings

The all-in-one io-homecontrol® awning motor, with advanced functions for all types of awnings with or without cassette. Take full benefits of io bi-directionality and feedback on the terrace.



Perfect closure
The guarantee that cassette closes every time.



Adjustable electronic Stop detection « Soft Close »
Once the cassette is closed, the motor stops immediately to protect the mechanism and limit stress on the fabric. Possibility to choose between 3 levels of closure power.



Adjustable back release
When activated, it releases the motor break just after the cassette closure, to relax the fabric. This extends the lifespan of the fabric.



Star head
6 options to position the motor head



“my” favourite
In one click move the blind to your favourite position



Electronic rail guided system control
Automatic rail guided system fabric length compensation, to guarantee constant projection, event after several years.



Rail guided system protection
An electronic detection device (crown stop) stops the motor instantly if there is an obstacle during any motion.



Remote limit setting



→ Simple, effortless comfort

- Move your awning effortlessly and remotely thanks to the radio control
- Move in one click your awning to your favorite “my” position

→ Aesthetics & durability of the awning

- Perfect cassette closure to prevent the fabric against mould
- No tension on the fabric preserving its long lasting well-looking
- A fabric perfectly taut over the years, without pocket effect (particularly suitable for large awnings and winter gardens)

Power supply	230 V - 50 Hz
Index Protection Rating	IP 44
Thermal time	4 minutes
Number of wires of the cable	3
Wire section	0,75 mm ²
Type of limit switch unit	Electronic
Capacity of the LSU	Diameter 50: 241 turns Diameter 60: 184 turns
Repeatability	< ± 5°
Radio frequency	868-870 Mhz (tri band)
Capacity of memory	Maxi 9 for 1W transmitter - infinite for 2W transmitters
Antenna	Integrated
Range	20 m with 2 reinforced concrete walls to be passed through Possibility to enhance radio range thanks to a Repeater
Basic crown for tube Ø	50 diameter: 50 x 1,5 mm 60 diameter: 63 x 1,5 mm
Temperature working range	80% of life time between -10°C to +40°C 20% of life time between -20°C to +70°C

	Torque (Nm)	Speed (rpm)	Diameter
Sunea 50 io 20/17	20	17	50
Sunea 50 io 25/17	25	17	50
Sunea 50 io 30/17	30	17	50
Sunea 50 io 35/17	35	17	50
Sunea 50 io 40/17	40	17	50
Sunea 50 io 50/12	50	12	50
Sunea 60 io 55/17	55	17	60
Sunea 60 io 70/17	70	17	60
Sunea 60 io 85/17	85	17	60
Sunea 60 io 100/12	100	12	60
Sunea 60 io 120/12	120	12	60



Take full benefits of io-homecontrol® feedback on the terrace

- Full understanding of sun and wind automatisms
- Easy customization of the groups and sun sensor thresholds from the remote control
- Access to io-homecontrol® full home automation offer for more security, energy saving and comfort



Gates

Opening & closing
of all swinging and
sliding gates with a **click**
on your **phone, remote**
control or by voice

Motorization for sliding gates

Most efficient motorization for standard installations



Programming interface and extractible terminal blocks



Automatic end-limits detection

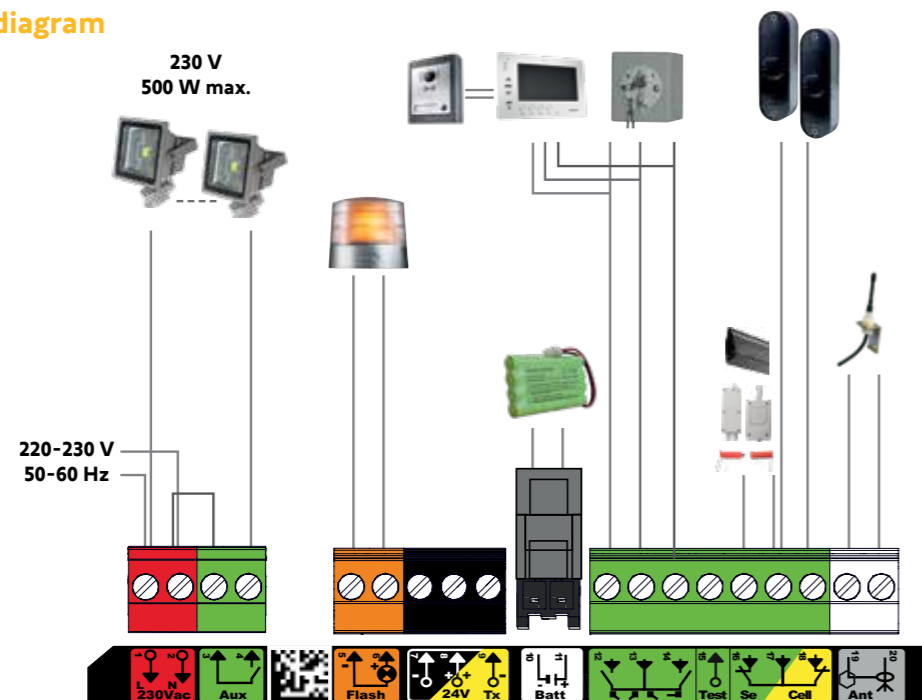


Up to 6 m
400 kg
Individual housing
Intensive use

Application area



General wiring diagram



Easy install

- Start and Run in less than 90 s
- Dedicated "Prog" button for transmitter programming
- Dedicated "Set" button for settings
- Extractible colored terminal blocks
- No end-limits needed on the gate
- Rotation direction reversing, without rewiring

Easy prog & Easy diagnostic

- Set&Go: setting tool
- Serve-e-Go: remote maintenance and diagnostic tool

Total control on motorization parameters for accurate, smooth and safe operation

- Encoder technology
- Adjustable speed, slow down area / soft stop area and obstacle detection sensitivity

Extended lighting capability

- Lighting output controlled separately with remote controls, TaHoma®, Connexoon

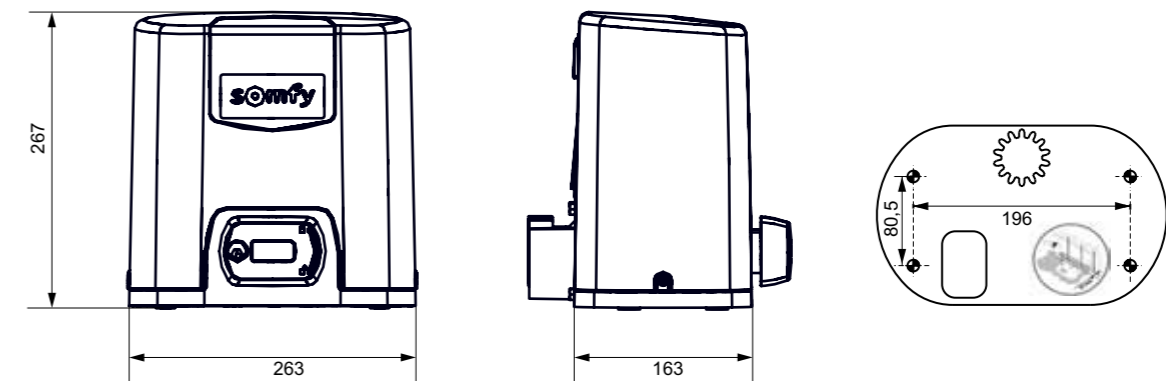
Comprehensive comfort and security accessories compatibility

- 2 wired control inputs: total and partial opening
- Video door phone compatible
- Photocells: compatible with standard 4 wires models, or Somfy 2 wires bus models
- Orange light
- Safety edge

TaHoma®: advanced connected home

- Secure the entire home with a single click when leaving
- Check anytime, anywhere, that the home is safe
- Manage deliveries when away from home
- Be welcomed home when coming back

General overall size



Power supply	220-230 V - 50-60 Hz
Index Protection Rating	IP 44
Max standby consumption	≤ 5W
Traction force (Peak force)	380 N
Opening time to 3m	15 s
Operating temperature	-20° C to +60 ° C
io Radio frequency	868-870 Mhz
Number of memorizable channels	1 way : 38 channels max 2 way: unlimited
Lighting output	Dry contact (230 V compatible)
Motor direction	Inverse motor direction thanks to a simple push on "+" and "-" button
Pedestrian position	1,20 m (Adustable only with Set & Go tool)
24 V output power supply	24 Vdc / 400 mA Max
Wired input diagnosis	Real time status indicator of accessories wired input

Elixo 500 230 V RTS



Motorization for sliding gates

Reliable and hard-wearing for sliding gates



Real-time indication of the product operating status



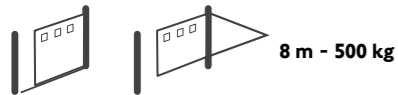
Easy access to ground fixation screws from the top



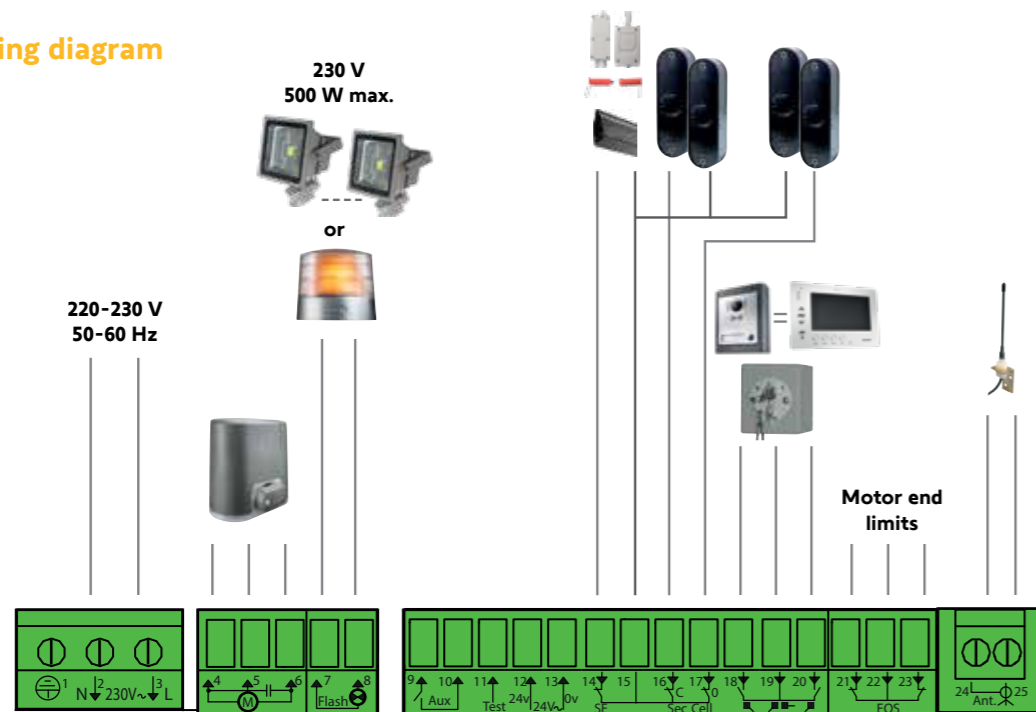
Up to 8 m
500 kg

Collective housing
Semi-intensive
use

Application area



General wiring diagram



Easy to install

- Easy access to ground fixation screws from the top
- No adjustment needed from the installer

Reliability and durability

- Mechanical design based on 30 years of group experience

Convenient to use

- Easy and secured declutching with individual key

Gate preserved

- Soft stop and adjustable torque

Easy setting

- One button to learn the gate course
- One button to program remote controls
- 12 switches for advanced settings

Customized and upgradable installation

- Wide range of comfort and security accessories

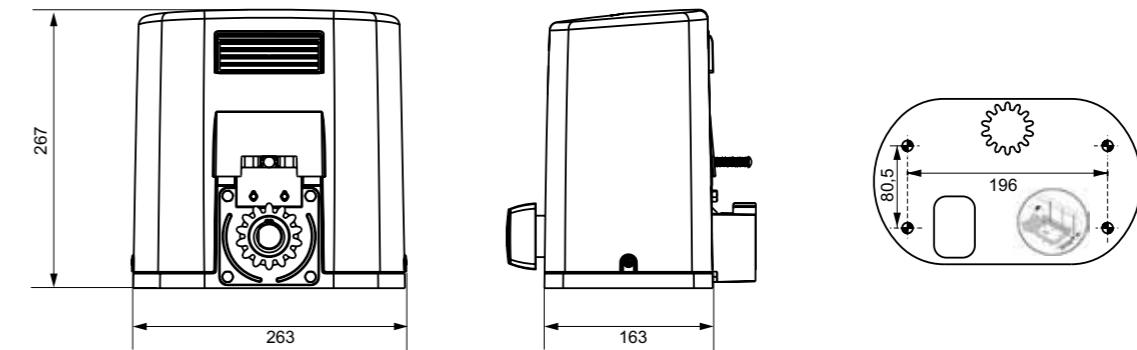
Easy connection of accessories

- Extractible terminal blocks

Easy maintenance

- Immediate diagnosis: real-time indication of the product operating status

General overall size



Power supply	220-230 V - 50-60 Hz
Index Protection Rating	IP 44
Motor voltage	230 V
Accessories power supply	24 Vdc / 315 mA
Opening time to 3m	21 s
Operating temperature	-20° C to +60° C
Thrust force	500 N
RTS radio frequency	433.42 Mhz
Number of remote controls	128 channels maximum



Elixo 800 230 V RTS



Motorization for sliding gates

Reliable and hard-wearing for sliding gates



Real-time indication of the product operating status



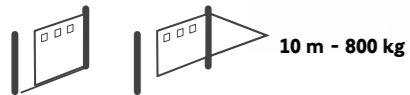
Motor ground fixation



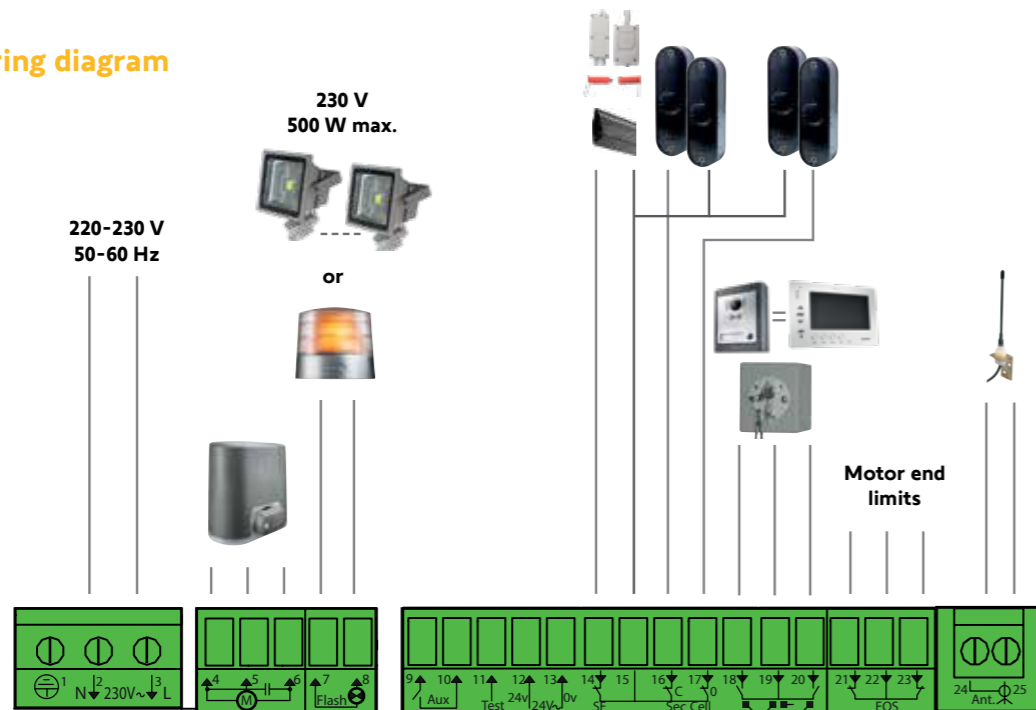
Up to 10 m
800 kg

Collective housing
Semi-intensive use

Application area



General wiring diagram



Easy to install

- Easy access to ground fixation screws from the top
- No adjustment needed from the installer

Reliability and durability

- Mechanical design based on 30 years of group experience
- Soft stop

Convenient to use

- Easy and secured declutching with individual key

Gate preserved

- Soft stop and adjustable torque

Easy setting

- One button to learn the gate course
- One button to program remote controls
- 12 switches for advanced settings

Customized and upgradable installation

- Wide range of comfort and security accessories

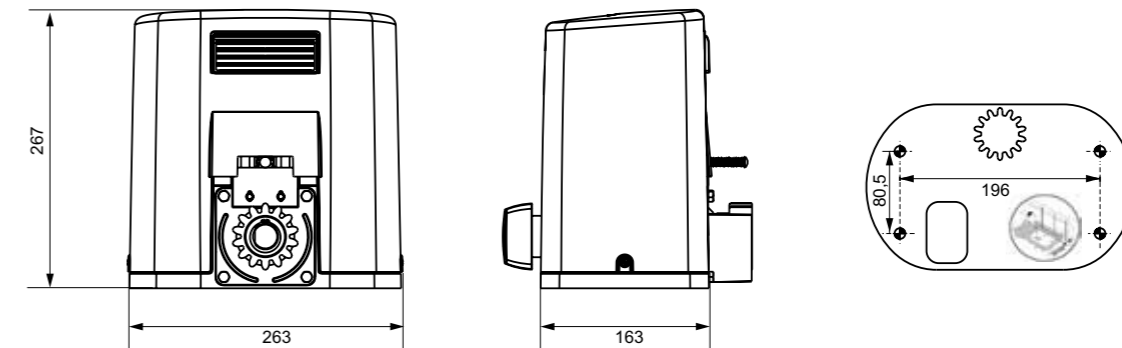
Easy connection of accessories

- Extractible terminal blocks

Easy maintenance

- Immediate diagnosis: real-time indication of the product operating status

General overall size



Power supply	220-230 V - 50-60 Hz
Index Protection Rating	IP 44
Motor voltage	230 Vac
Maximum power consumption	300 W
Accessories power supply	24 Vdc / 315 mA
Opening time to 3m	21 s
Operating temperature	-20° C to +60 ° C
Thrust force	800 N
RTS radio frequency	433.42 Mhz
Number of remote controls	128 channels maximum



Elixo 2000 230 V RTS



Motorization for sliding gates

Robust & unalterable designed for heavy gates with intensive use



Oil bath gearbox permanently lubricated and perfectly cooled.

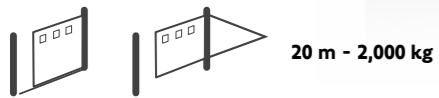


Encoder technology to control the position and the movement of the gate.

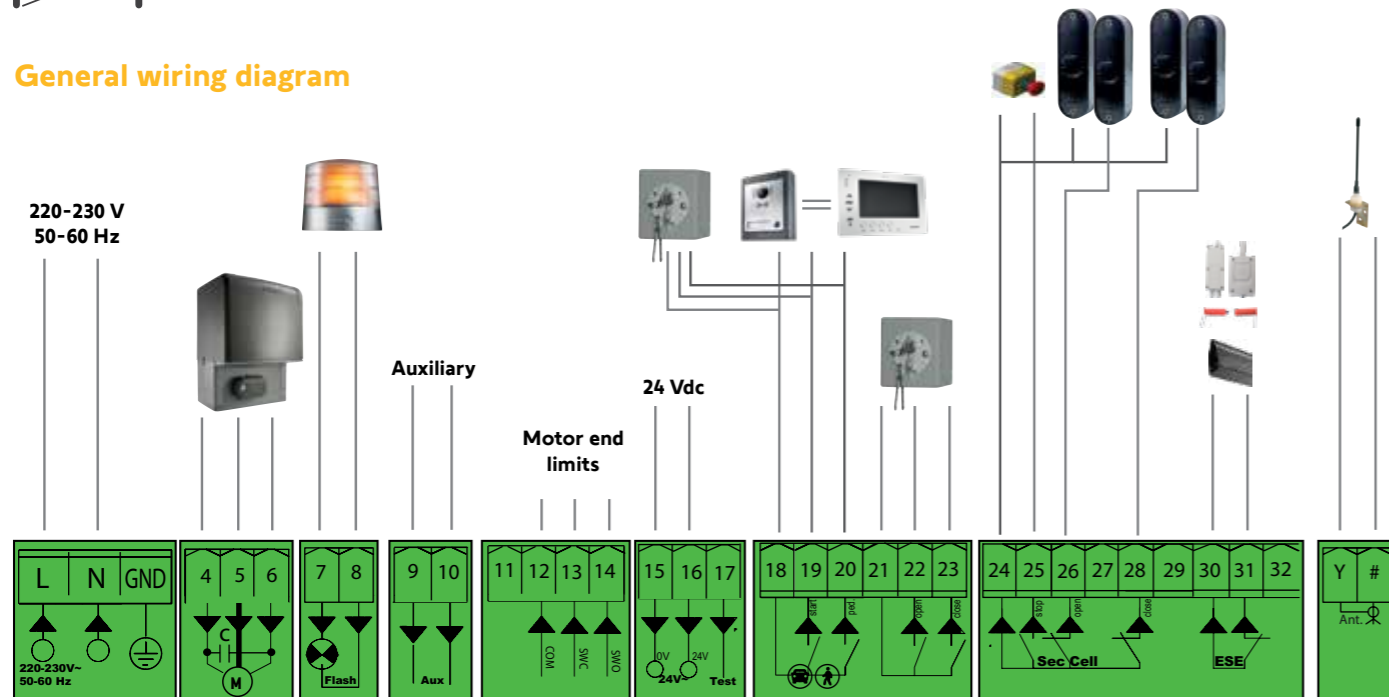


Up to 20 m
2,000 kg
Collective housing
Intensive use

Application area



General wiring diagram



Robust for an intensive use

- Very intensive use, the motor can work permanently and it has been tested for 180,000 cycles on a 10 m and 2,000 kg gate.
- The oil bath gearbox minimizes component wear, so they are permanently lubricated and perfectly cooled.

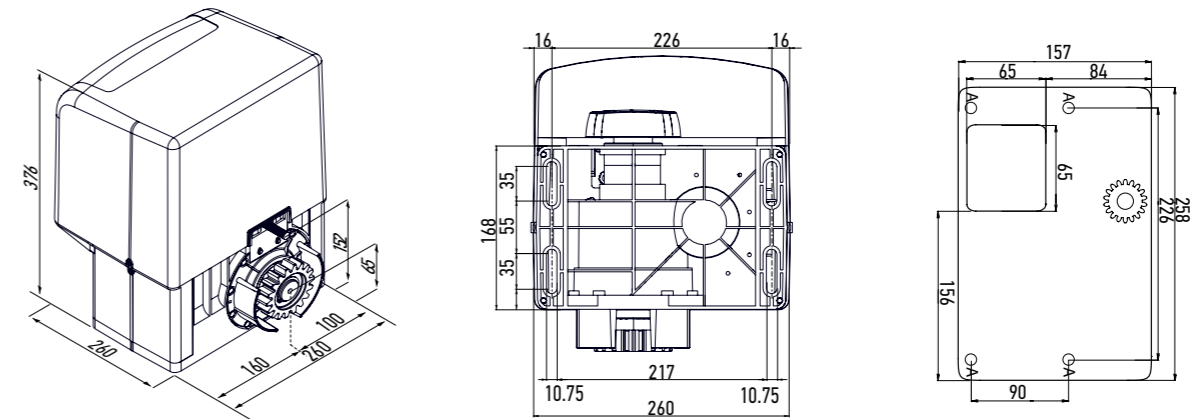
Protected installation

- Motors are protected by individual keys, for locking or declutching.
- Encoder technology: electronically controlled movement, safe and constant, to ensure maximum tranquility and security to gate users.
- Anticrush security: guaranteed by the electronic system that detects the presence of obstacles.
- The irreversibility of the motor guarantees a perfect locking of the gate in closed position thus avoiding intrusion.

Adjustable settings

- The motor torque and soft stop functions are automatically set during self-learning to suit the weight of the gate, to ensure efficiency and preserve the gate. These parameters can be adjusted after self-learning to adapt to each use.
- Adjustable partial opening position for pedestrians and cyclists.
- Automatic closure, operating modes possible to meet all your needs.
- Possible to adjust the energy during the slowdown phase (brake parameter).

General overall size



Power supply	220-230 V - 50-60 Hz
Index Protection Rating	IP 44
Power consumption	750 W
Maximum torque	40 Nm
Speed	9 m/min
Maximum gate leaf weight	2000 kg
Maximum gate leaf length	20 m
Lubrication	Oil bath
Manual operation	Release using individual key
Operating temperature	-20° C to +60° C
Noise level	<70 dBA
RTS radio frequency	433.42 Mhz
Number of remote controls	128 channels maximum

Ixengo L 3S io



Screw motorization for swinging gates

Robust, efficient and easy to install for 100% successful installation



Magnetic end limit

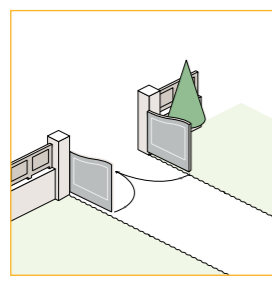
Declutching system with individual key

Up to 4 m
400 kg per leaf

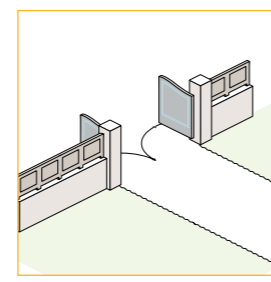
Collective housing
Intensive use

Application area

Opening angle up to 145°
Up to 4 m - 400 kg per leaf



Outward opening up to 90°
Up to 4 m - 400 kg per leaf



Fix & Go App



3S Control Box : quickly installed, customizable, intuitive

Easy to install

- Fix & Go App
Intuitive App for easy and successful motor fixation, ensuring optimized operating performances
- Adjustable or weldable fixing pillar brackets, adapting to all installation configurations
- Advanced and unique end limits setting accessible from the top with a led blinking when the good position is reached

Safe to use

- Its non-reversing mechanism provides excellent resistance against high winds or forcing
- Easy and secured declutching with individual key

Customized installation

- Soft stop and adjustable torque
- Very accurate closing position and closing force adjustment
- Slow speed area and offset between 2 leaves adjustable down to minimum

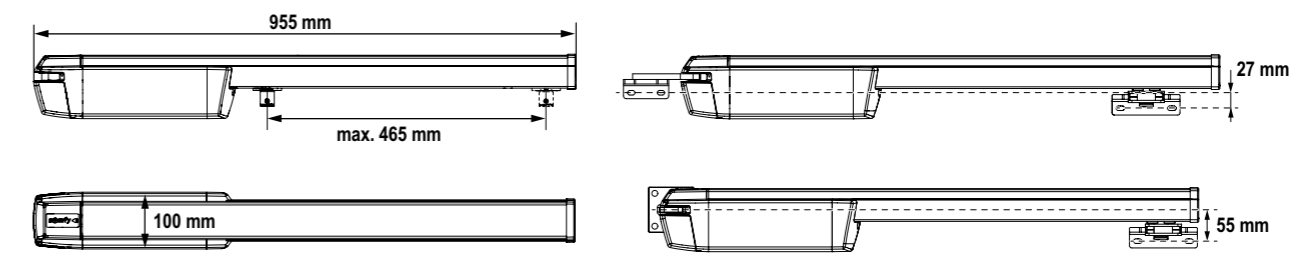
io-homecontrol® technology

- Compatible with all equipment from the Somfy io range
- Feedback from all two-way io remote controls
- Remote operation and control with TaHoma®

Application area in detail

- 4 m and 170 kg
- 3 m and 300 kg
- 2.6 m and 400 kg
- Electric lock recommended for leaves above 2 m

General overall size



Power supply	220-230 V - 50-60 Hz
Minimum room needed behind the leaf*	144 to 236 mm for 90° angle opening (depending on the hinge pin offset)
Maximum hinge pins offset**	-60 to 183 mm
Motor voltage	24 Vdc
Maximum power consumption	40 W
Lighting output	Halogen lighting 500 W maximum
Accessories power supply	24 Vdc / 1,200 mA
Thrust force	2,000 N
Working stroke	465 mm
Index Protection Rating	IP 44
Opening time to 90° without slow down area and max speed	10 to 34 s depending on the installation
io radio frequency	868 - 870 MHz
One-way (Keygo io, ...)	38 channels maximum
Two-way (Keytis io, ...)	Unlimited
Operating temperature	-20°C to +60°C

Ixengo L 3S RTS



Screw motorization for swinging gate

Robust, efficient and easy to install for 100% successful installation

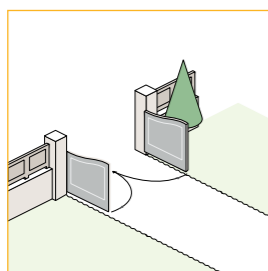


Magnetic end limit

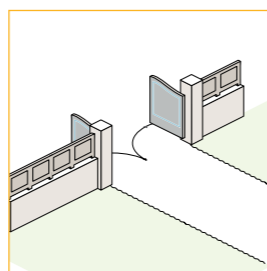
Declutching system with individual key

Application area

Opening angle up to 145°
Up to 4 m - 400 kg per leaf



Outward opening up to 90°
Up to 4 m - 400 kg per leaf



Fix & Go App



3S Control Box : quickly installed, customizable, intuitive

Easy to install

- Fix & Go App
Intuitive App for easy and successful motor fixation, ensuring optimized operating performances
- Adjustable or weldable fixing pillar brackets, adapting to all installation configurations
- Advanced and unique end limits setting accessible from the top with a led blinking when the good position is reached

Safe to use

- Its non-reversing mechanism provides excellent resistance against high winds or forcing

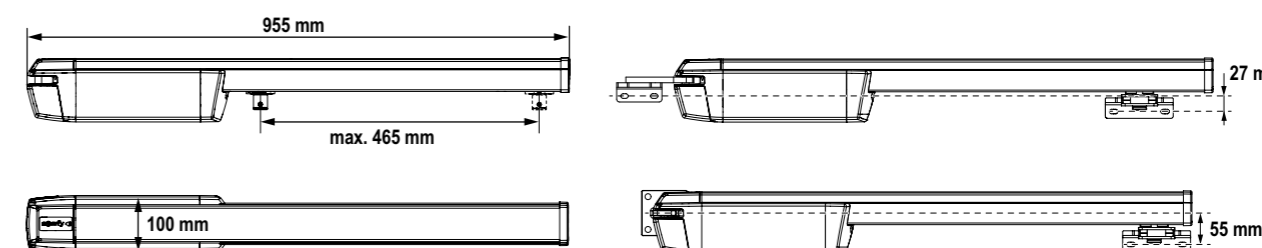
- Easy and secured declutching with individual key
- Customized installation
- Soft stop and adjustable torque
- Very accurate closing position and closing force adjustment
- Slow speed area and offset between 2 leaves adjustable down to minimum

Compatible with solar power supply, in cases where mains electricity is difficult to obtain

Application area in detail

- 4 m and 170 kg
- 3 m and 300 kg
- 2.6 m and 400 kg
- Electric lock recommended for leaves above 2 m

General overall size



Power supply	220-230 V - 50-60 Hz
Minimum room needed behind the leaf*	144 to 236 mm for 90° angle opening (depending on the hinge pin offset)
Maximum hinge pins offset**	-60 to 183 mm
Motor voltage	24 Vdc
Maximum power consumption	40 W
Lighting output	Halogen lighting 500 W maximum
Accessories power supply	24 Vdc / 1,200 mA
Thrust force	2,000 N
Working stroke	465 mm
Index Protection Rating	IP 44
Opening time to 90° without slow down area and max speed	10 to 34 s depending on the installation
RTS radio frequency	433.42 MHz
Number of remote controls	40 channels maximum
Operating temperature	-20°C to +60°C

Ixengo JS/JL 230 V RTS



Screw motorization for swinging gate

Robust, efficient and easy to install



Robust aluminium construction



Individual key for declutching

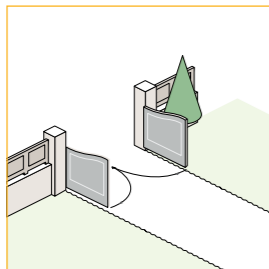


Up to 4 m
& 1000 kg per leaf

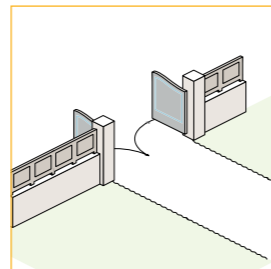
Individual housing
Semi-Intensive use

Application area

Opening angle up to 130°
Up to 3 m - 800 kg per leaf



Outward opening up to 90°
Up to 3 m - 800 kg per leaf



Fix & Go App



Safe to use

- Its non-reversing mechanism provides excellent resistance against high winds or forcing
- Easy and secured declutching with individual key

Easy to install

- Fix & Go
Intuitive App for easy and successful motor fixation, ensuring optimized operating performances.

Easy setting

- One button to learn the gate course
- One button to program remote controls
- 12 switches for advanced settings

Gate preserved

- Soft stop and adjustable torque

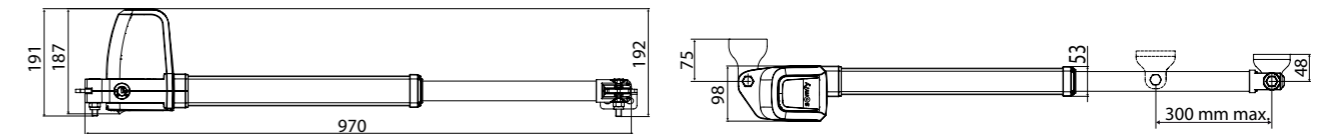
Customized and upgradable installation

- Wide range of comfort and security accessories

Application area in detail

- 3 m and 250 kg
- 2.5 m and 350 kg
- 2 m and 500 kg
- Electric lock recommended for leaves above 2 m

General overall size



Power supply	220-230 V - 50-60 Hz
Minimum room needed behind the leaf*	128 to 263 mm for 90° angle opening (depending of the hinge pin offset)
Maximum hinge pins offset**	-20 to 120 mm
Motor voltage	230 Vac
Maximum power consumption	280 W
Lighting output	230 V - 60 W
Accessories power supply	24 Vac / 315 mA
Thrust force	3,000 N
Working stroke	300 mm
Index Protection Rating	IP 54
Opening time to 90° without slow down area and max speed	7 to 19s depending on the installation
RTS radio frequency	433.42 MHz
Number of remote controls	128 channels maximum
Operating temperature	-20°C to +55°C





Garage Doors

Motorize & Connect
your garage door

Securing and monitoring
your home is easy now

Dexxo Smart 800/1000 io



Garage door motorization

Most efficient motorization for standard installations

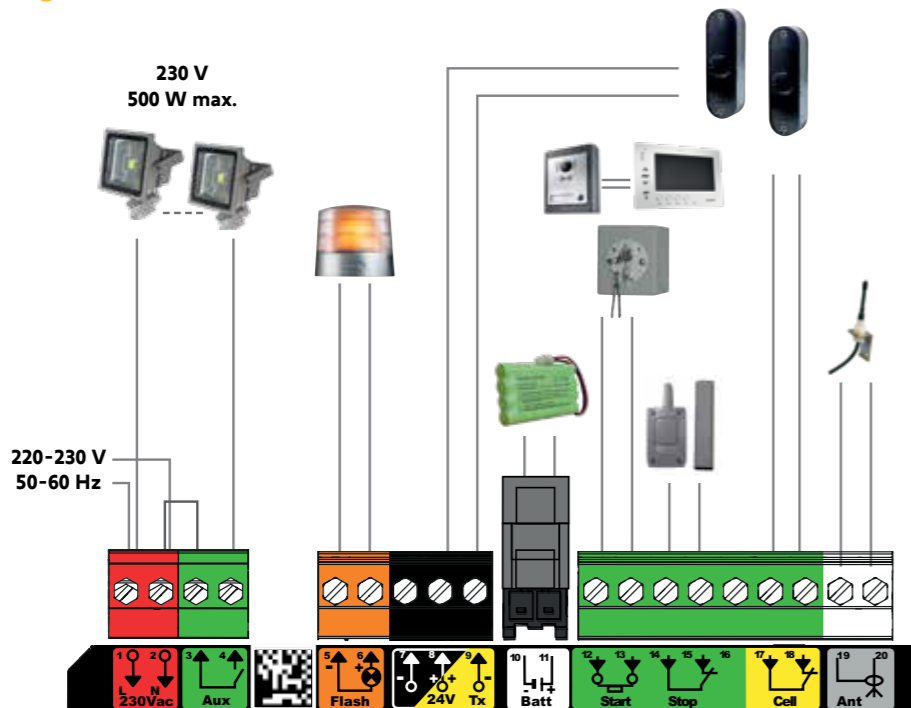


LED integrated lighting

Application area



General wiring diagram



Easy install

- Start and Run in less than 90 s
- Dedicated "Prog" button for transmitter programming
- Dedicated "Set" button for settings
- Extractible colored terminal blocks
- Rotation direction reversing, without rewiring

Easy prog & Easy diagnostic

- Set&Go: setting tool
- Serve-e-Go: remote maintenance and diagnostic tool

Total control on motorization parameters for accurate, smooth and safe operation

- Encoder technology
- Adjustable speed, slow down area / soft stop area and obstacle detection sensitivity
- Fully compatible with lateral door

Extended lighting capability

- Synchronized with garage door operation and

controlled separately with remote controls, or phone through TaHoma®

- Built-in led courtesy light
- Lighting output

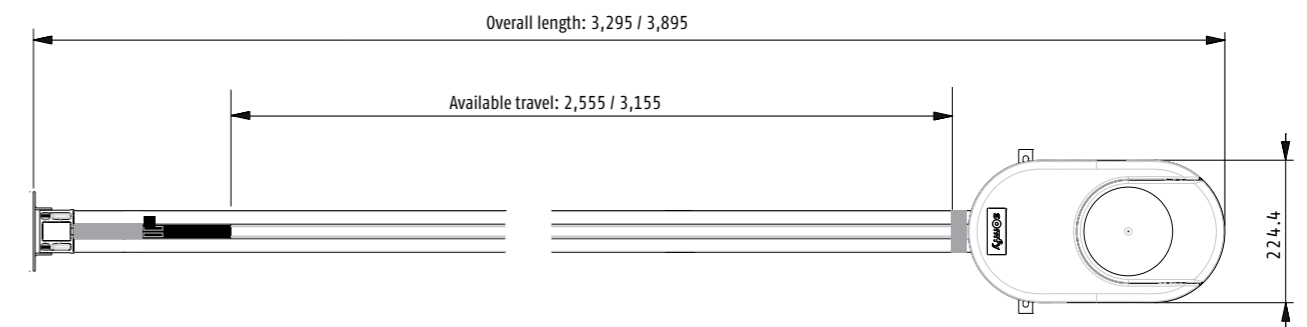
Comfort and security accessories compatibility

- 2 wired control inputs: total opening
- Video door phone compatible
- Photocells: compatible with standard 4 wires models, or Somfy 2 wires bus models
- Orange light
- Wicket door contact

TaHoma®: advanced connected home

- Secure the entire home with a single click when leaving
- Check anytime, anywhere, that the home is safe
- Manage deliveries when away from home
- Be welcomed home when coming back

General overall size



	Dexxo Smart 800 io	Dexxo Smart 1000 io
Power supply	220-230 V - 50-60 Hz	
Maximum power consumption on standby	≤ 5 W	
Traction force	800 N	1000 N
Maximum speed	14 cm/s	10 cm/s
Integrated lighting	24 V / 21 W (bulb provided) - BA15s socket	
Index Protection Rating	IP 20	
Operating temperature	-20°C / +60°C	
io radio frequency	868 - 870 Mhz	
Number of remote controls	One-way (Keygo io,...): 38 channels maximum - Two-way (Keytis io,...): unlimited	

Dexxo® Pro 800/1000 3S RTS

Garage door motorization

Reliable and robust motorization for every installation configuration



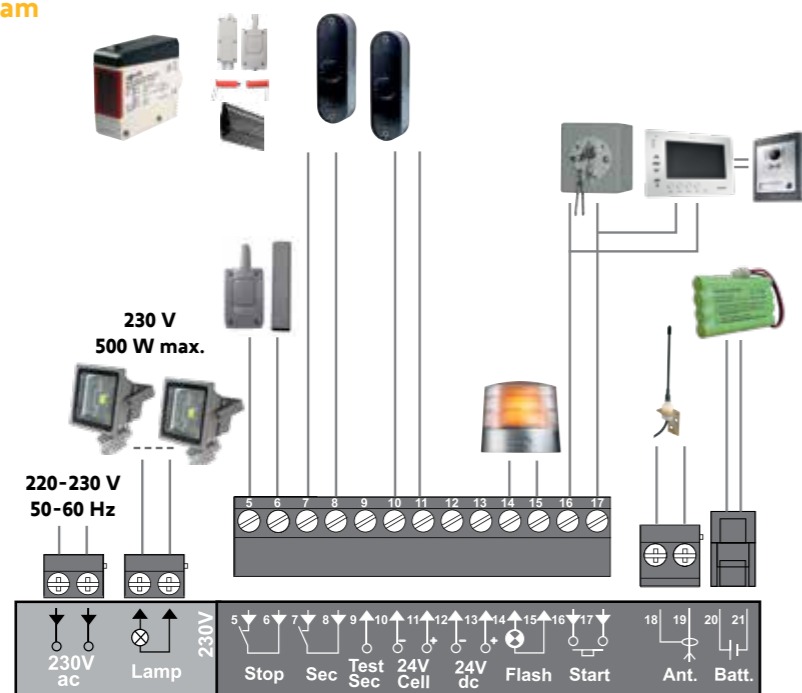
LED integrated lighting:
148 Lux

Application area



For Dexxo Pro 1000 3S only. Note: some of these doors may be impossible to motorize. Consult Somfy's technical services

General wiring diagram



Very easy to use

- Starts working in less than 90 seconds
- All settings are pre-programmed
- Intuitive easy and safe programming thanks to the LCD screen

Extensive scope for customizing the installation

- 17 adjustable parameter settings
- A wide range of safety and comfort accessories can be connected
- A backup battery can be incorporated in the motor unit to cater for power cuts
- Can be connected to a separate lighting unit rated up to 500 W

Maintenance aids

- Real-time display of motor operating status
- Real-time display of fault and failure codes
- Access to maintenance data: opening and closing counters, fault logs, etc.
- Maintenance reminder after X operating cycles

Garage door security features

- Burglar-proof lock

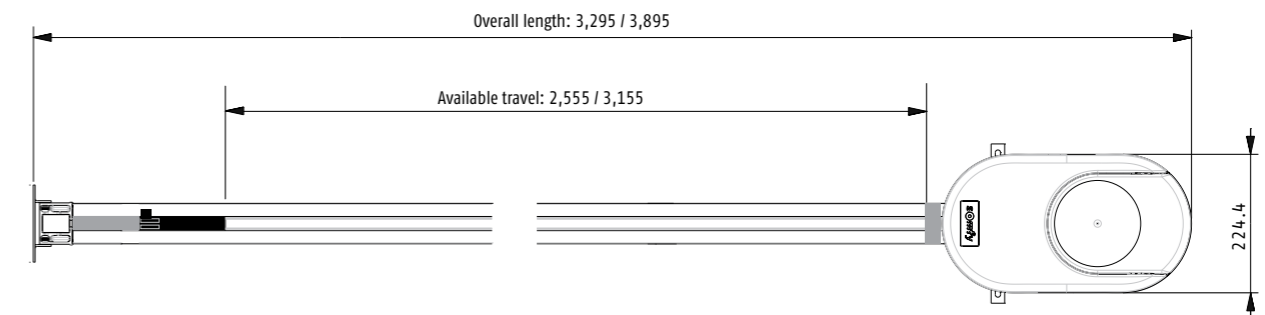
Robustness that stands the test of time

- 5-year warranty

Comprehensive range of transmission systems

- Chain, belt, high-performance chain drives

General overall size



	Dexxo Pro 800 3S RTS	Dexxo Pro 1000 3S RTS
Power supply	220-230 V - 50 Hz	
Motor voltage	24 Vdc	
Maximum power consumption in operation	600 W (with 500 W lighting)	
Maximum power consumption on standby	5 W	
Traction force	800 N	1000 N
Integrated lighting	24 V / 21 W (bulb provided) - BA15s socket	
Maximum speed	18 cm/s	
Operating temperature	-20°C / +60°C	
RTS radio frequency	433.42 MHz	
Number of remote controls	32 channels maximum	





Barriers

Robust, durable
and suitable for
intensive use

somfy.

Levixo 40/60 24V RTS



Barriers

Fast, intensive and reliable, made for collective

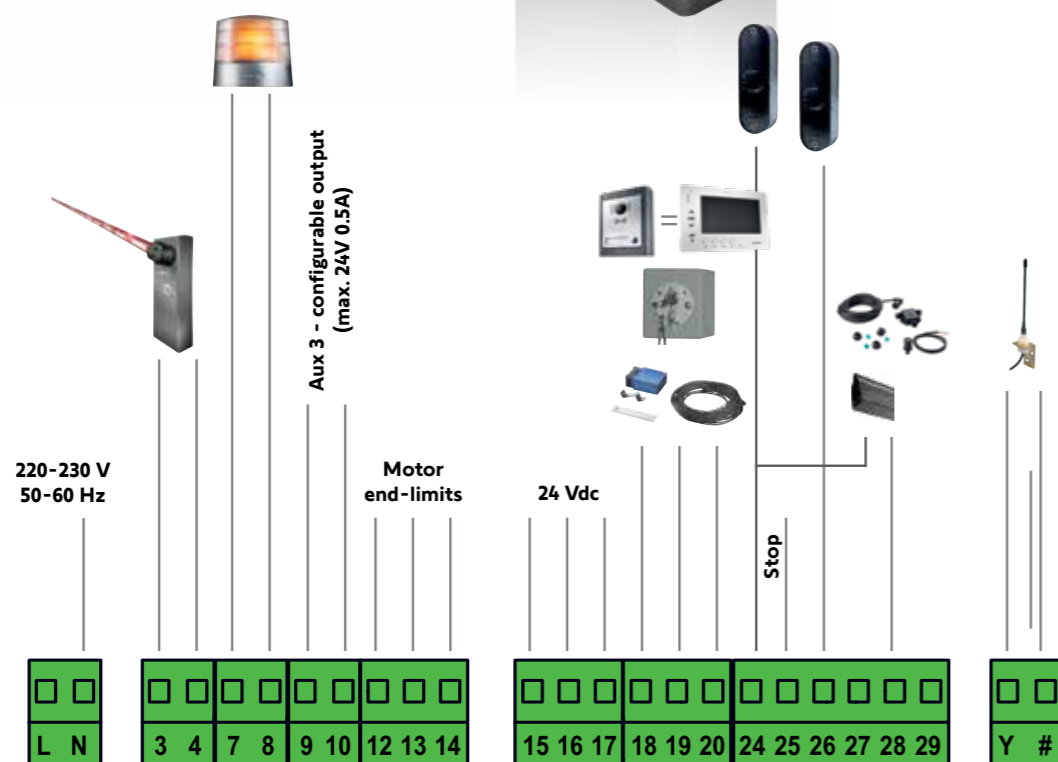


Fixation kits for rounded or rectangular booms



Adjustable settings to suit your application

General wiring diagram



Intensive & collective use

- Intensive use with 2 000 operations per day thanks to the 24V motor
- Automatic closing with adjustable delay
- Led settings for warnings
- Fast closing setting with immediate closing after photocells detection
- Courtesy light
- Differentiated open and close wired input compatible for schedule operation

Fast in motion

- Fast opening and closing from 2.5s to 9s
- Full control of barrier speed thanks to adjustable acceleration, travel speed and deceleration
- 346 cycles/hour in intensive use

User safety

- Built-in obstacle detection thanks to encoder technology
- Adjustable brake at end closing
- Full control of barrier forces with adjustable opening and closing torques
- Orange light with 2s warning

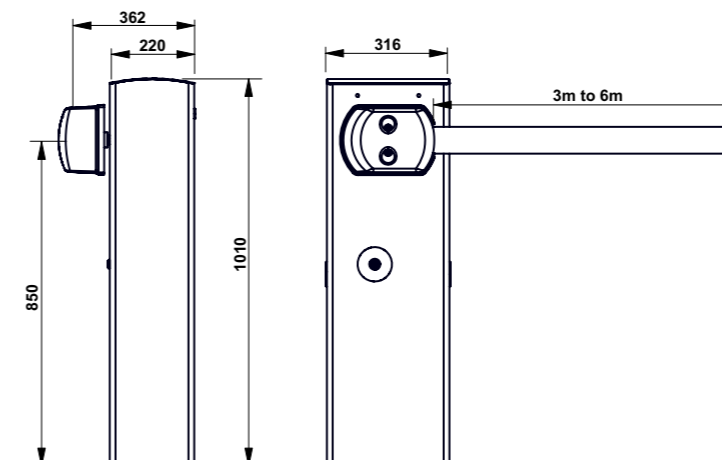
Product security

- Mechanical and electrical end limits for secured and accurate operation
- Various independent fuses to protect the control board

Two models

- Levixo 40 24V RTS: up to 4 meters
- Levixo 60 24V RTS: up to 6 meters

General overall size



Power supply	230 V	
Motor voltage	24V	
Maximum power consumption	300 W	
Accessories power supply	24 V / 0.5 A	
Maximum number of operations/day (Openings/Closings)	2 000	
Maximum number of cycles per hour	346	
Motor torque	Levixo 40	130 Nm
	Levixo 60	260 Nm
Opening time	Levixo 40	2.5 s to 6 s
	Levixo 60	3 s to 9 s
RTS radio frequency	433.42 MHz	
Index Protection Rating	IP 54	
Maximum boom length*	Levixo 40	4 m
	Levixo 60	6 m
Number of remote controls	128 channels maximum	
Operating temperature	-20°C to +55°C	

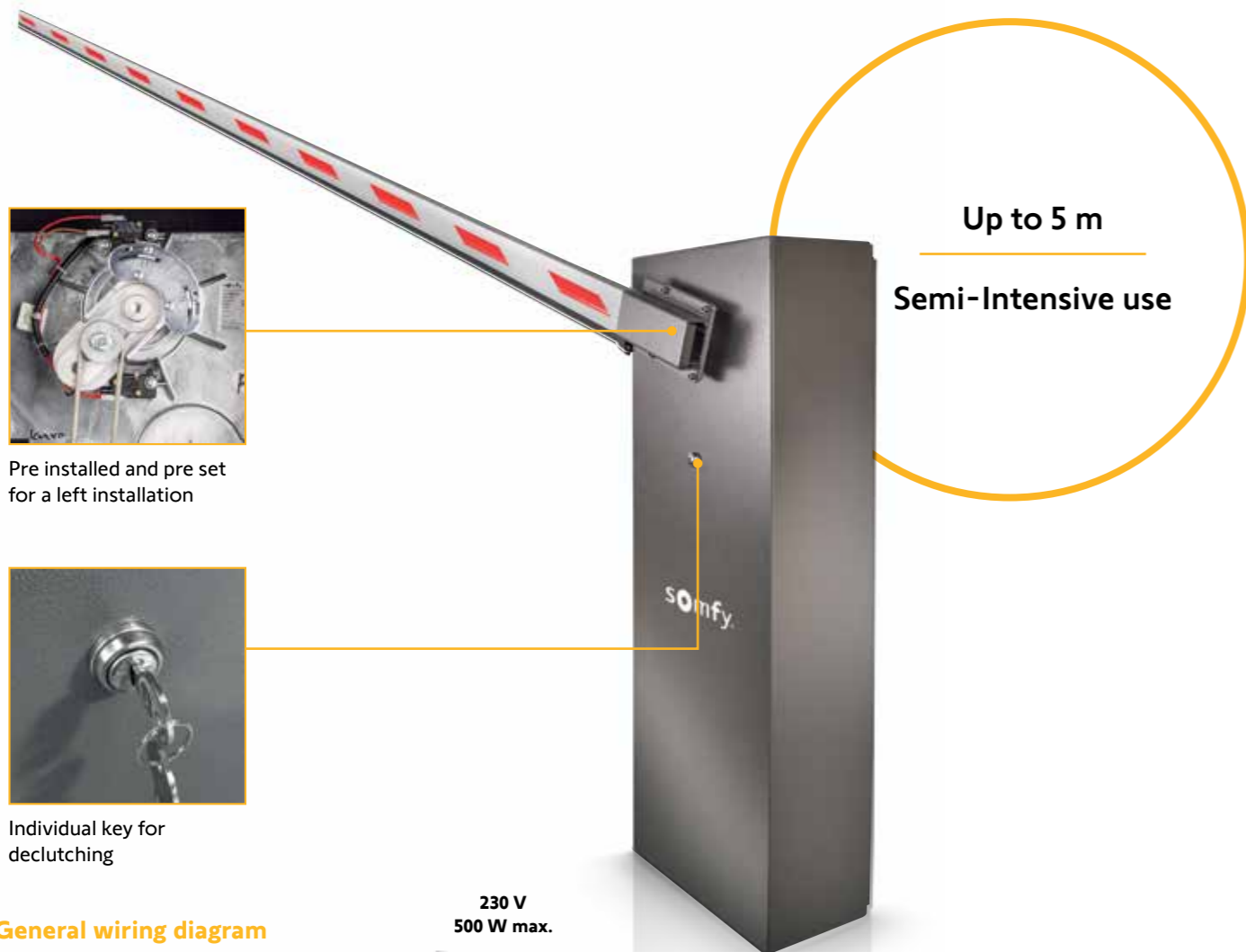
*given for boom without extra accessories

Levixo 30/50 230V RTS



Barriers

Easy to install, easy to use, ideal for your standard applications

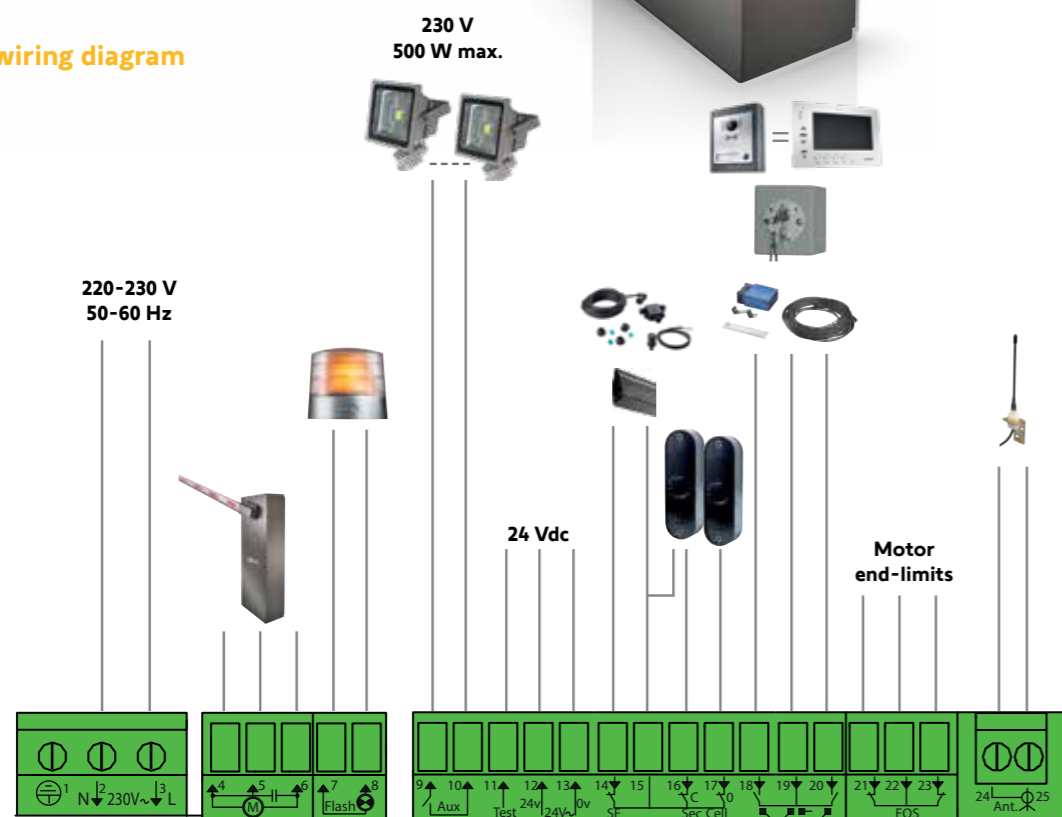


Pre installed and pre set for a left installation



Individual key for declutching

General wiring diagram



Suitable for semi intensive use up to 600 openings and closings per day with a 5m boom

Plug and start

- Ready to go with a pre-set installation
- No self learning needed, end limits already setup
- Pre-set features ready to start or customizable if needed

Easy to use

- 6 operating modes
- Automatic closing with adjustable delay
- Fast closing setting with immediate closing after
- Standard key to access the casing

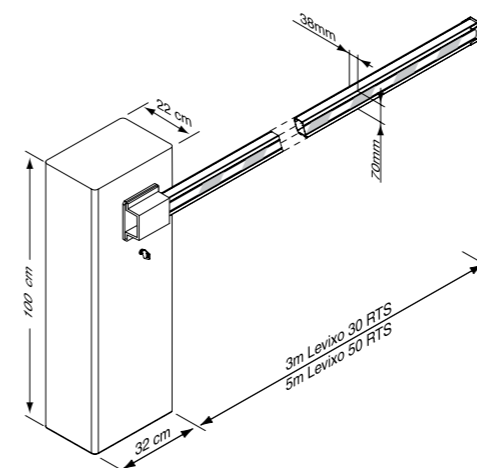
Customizable for your application

- Courtesy light or led warning compatible
- Differentiated open and close wired input
- Compatible for schedule operation with timer
- Compatible with optical safety edge

Two models

- Levixo 30 230V RTS: up to 3 meters
- Levixo 50 230V RTS: up to 5 meters

General overall size



Power supply	230 V	
Maximum power consumption	300 W	
Accessories power supply	24 V / 315 mA	
Maximum number of operations/day (Openings/Closings)	Levixo 30	960
	Levixo 50	600
Maximum number of cycles per hour	Levixo 30	50
	Levixo 50	70
Motor torque	Levixo 30	85 Nm
	Levixo 50	250 Nm
Opening time	Levixo 30	4 s
	Levixo 50	8 s
RTS radio frequency	433.42 MHz	
Number of remote controls	128 channels maximum	
Index Protection Rating	IP 44	
Operating temperature	-20°C to +60°C	
Maximum boom length*	Levixo 30	3 m
	Levixo 50	5 m

*given for boom without extra accessories



Video door phones

Identify your visitors before opening

Safety, comfort and well-being

Video door phone plug&play

Easy to install, easy to use, ideal for your standard applications



Security

- Gate and door opener from home

Performance

- Wide angle camera to be sure to see the visitor in front of the station

Exclusive to Somfy

- New integrated remote control (without battery) for managing up to 5 Somfy RTS products

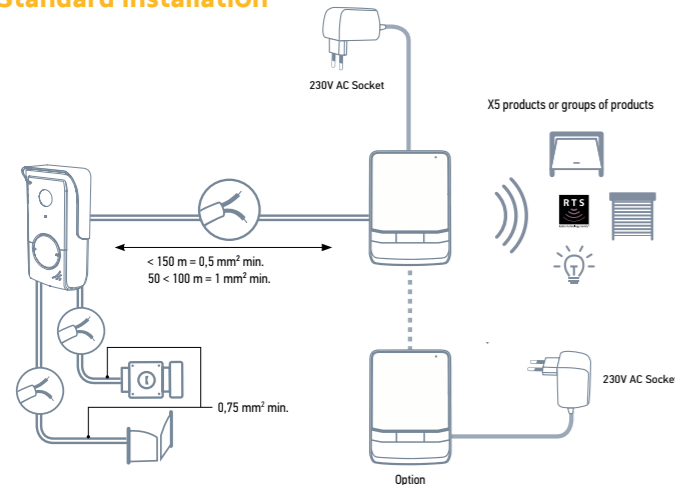
Easy to install

- Connection to the external unit via two wires only (up to 150 m): existing doorbell cables can be used

Compact design

- Discreet and attractive design dedicated to small interior spaces
- Thin and slick call station design adapted to narrow pillars

Standard installation



Indoor monitor		
Screen	Colour - Size: 4.3" 11 cm Resolution: 480 x 272 pixels	
Settings	Ringer volume, colours, brightness, contrast, lock opening time, audio volume, doorbell (x6)	
Power supply	100-240 V / 50-60 Hz 0.6 A 24 Vdc, 1 A power supply White C-type socket power unit (1.5 m cable)	
Fastening	Surface-mounted with bracket	
Size (L x H x th)	130 x 185 x 22 mm	
Operating temperature	-10°C to +55°C	
Radio transmitter 5	Radio range	200 m (free field)
	Radio frequency	RTS - 433.42 MHz

External unit	
Camera	Vision angle: H: 102°/V: 65° 6 IR LEDs for night vision
Label-holder and call button	Backlit (automatic activation below 1000 lux)
Outputs	For lock: 12V, 800mA (2.5 or 10 s opening time) For dry contact: 1 s
Settings	Loudspeaker volume, bell tone volume
Material	Aluminium and plastic
Fastening	Surface-mounted rain shield
Size (L x H x th)	77 x 151 x 45 mm
Operating temperature	-20°C to +55°C
Protection index	IP 54

Video door phone plug&play

Easy to install, easy to use, ideal for your standard applications



Security

- Gate and door opener from home
- Identification of visitors thanks to the image memory (up to 100)
- Wide angle camera to clearly see the visitor
- Night vision with IR LEDs for a nice visitor recognition

Comfort

- Choice of ringtones
- Indoor monitor with sensitive buttons

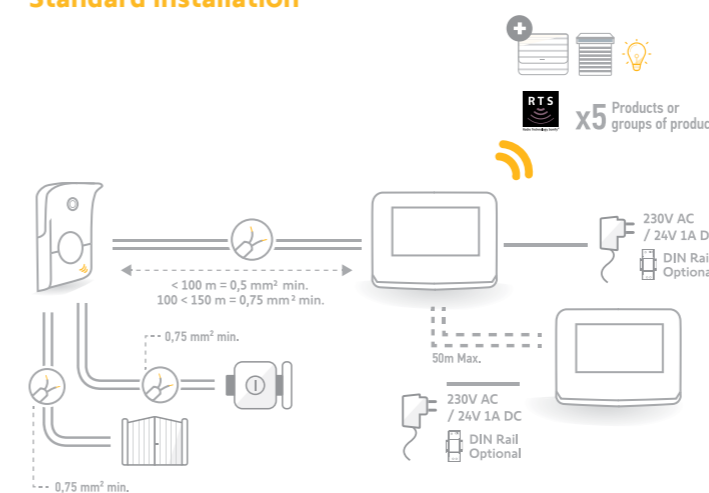
Exclusive to Somfy

- Integrated 5-channel Somfy remote control for managing Somfy RTS products

Easy to install

- Thin call station for narrow pillars
- Connection to the external unit via two wires only (up to 100 m): existing doorbell cables can be used

Standard installation



Indoor monitor		
Screen	Colour - Size: 7" 17 cm Resolution: 800x480 pixels	
Settings	Ringer volume, colours, contrast, brightness, audio volume, door bells, time, date	
Image memory	100 photos on internal memory	
Power supply	100-240 Vac, 50/60 Hz, 0.6 A Output: 24 Vdc 1 A	
Fastening	Surface-mounted with bracket	
Size (L x H x th)	230 x 172 x 22 mm	
Operating temperature	-10°C to +55°C	
Radio transmitter 5	Radio range	200 m (free field)
	Radio frequency	RTS - 433.42 MHz

External unit	
Camera	Vision angle: H: 102°/V: 65° IR LEDs for night vision
Label-holder and call button	Backlit (automatic activation below 1000 lux)
Outputs	For lock: 12 V, 800 mA (2, 5 or 10 s opening time) For dry contact: 1 s
Settings	Loudspeaker volume, bell tone volume
Material	Aluminium and plastic
Fastening	Surface-mounted rain shield
Size (L x H x th)	77 x 151 x 45 mm
Operating temperature	-20°C to +55°C
Protection index	IP 54

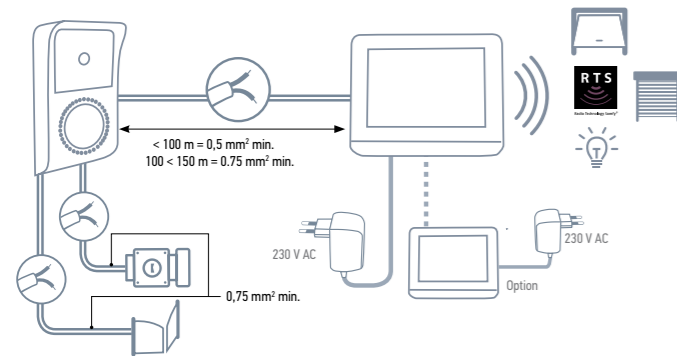
Video door phone plug&play

Easy to install, easy to use, ideal for your standard applications



The intuitive video door phone with user friendly touch interface

Standard installation



Security

- Gate and door opener from home
- Identification of visitors thanks to the image memory
- Call station with robust design
- Night vision with IR LEDs for a nice visitor recognition

Performance

- Wide angle camera to be sure to see the visitor in front of the station
- Touch screen monitor with user friendly interface

Exclusive to Somfy

- Specific interface to control up to 5 wireless Somfy RTS products

Easy to install

- 2-wire installation (up to 150m). Existing doorbell wiring can be used.

Comfort

- Personalized interface with a choice of different styles
- Ringtone personalization thanks to micro SD card
- Outdoor temperature display on monitor

Indoor monitor		
Screen	7" touch screen Resolution: 800 x 480 pixels	
Settings	Ringer volume, colours, brightness, audio volume, door bells (x7 +1 customized), wall paper, temperature adjustment, time, date	
Image and melody memory	16GB micro SD card included	
Additional functions	Movement detector for automatic activation	
Power supply	100-240 V / 50-60 Hz 0.6 A 24 Vdc, 1 A power supply	
Material	Plastic and glass	
Fastening	Surface-mounted with bracket	
Size (L x H x th)	229.5 x 149.6 x 18.8 mm	
Operating temperature	-10°C to +55°C	
Radio transmitter 5	Radio range	200 m (free field)
	Radio frequency	RTS - 433.42 MHz

External unit	
Camera	Vision angle: H: 102°/V: 65° IR LEDs for night vision
Label-holder and call button	Backlit
Other	Temperature sensor
Outputs	For lock: 12 V, 800 mA (latch with memory) - For dry contact: 1 s
Settings	Loudspeaker volume, bell tone volume
Material	Aluminium and plastic
Fastening	Surface-mounted rain shield
Size (L x H x th)	105 x 165 x 54 mm
Settings	Loudspeaker volume
Operating temperature	-20°C to +55°C
Protection index	IP44

Video door phone plug&play

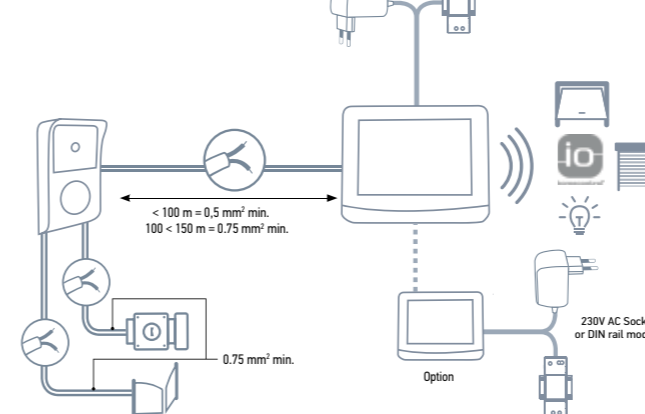
Easy to install, easy to use, ideal for your standard applications



The intuitive video doorphone to control your home access & wireless home equipment

Compatible as scenario launcher in TaHoma.

Standard installation



Exclusive model for professionals

Security

- Gate and door opener from home
- Identification of visitors thanks to the image memory
- Call station with robust design
- Night vision with IR LEDs for a nice visitor recognition

Performance

- Wide angle camera to be sure to see the visitor in front of the station
- Touch screen monitor with user friendly interface

Exclusive to Somfy

- 5-channel io remote control fully integrated in the touch screen interface

TaHoma scenario launcher available directly from the interface

Easy to install

- 2-wire installation (up to 150m) Existing doorbell wiring can be used
- Power supplied by plug unit or DIN rail unit

Comfort

- Personalized wallpaper interface with a choice of different styles
- Ringtone personalization thanks to micro SD card
- Outdoor temperature display on monitor

Indoor monitor		
Screen	7" touch screen Resolution: 800 x 480 pixels	
Settings	Ringer volume, colours, brightness, audio volume, door bells, wall paper, outdoor temperature adjustment, time, date, lock opening time, io home control equipment	
Image and melody memory	16GB micro SD card included	
Additional functions	Movement detector for automatic activation Outdoor temperature display	
Power supply	100-240 V / 50-60 Hz 0.6 A 24 Vdc, 1 A power supply	
Material	Plastic and glass	
Fastening	Surface-mounted with bracket	
Size (L x H x th)	230 x 172 x 22 mm	
Operating temperature	-10°C to +55°C	
Radio transmitter 5	Radio range	200 m (free field)
	Radio frequency	io - 868-870 MHz

External unit	
Camera	Vision angle: H: 102°/V: 65° IR LEDs for night vision
Label-holder and call button	Backlit
Other	Embedded temperature sensor
Outputs	For lock: 12 V, 800 mA (from 2.5 or 10 s) For dry contact: 1 s
Settings	Loudspeaker volume, bell tone volume
Material	Aluminium and plastic
Fastening	Surface-mounted rain shield
Size (L x H x th)	78 x 146 x 46 mm
Operating temperature	-20°C to +55°C
Protection index	IP X4



Alarm and Security

Alarm
Connected Doorlock
Security camera

Wireless alarm system

Home Alarm Pack

An easy-to-use, everyday security solution.

Home Alarm Starter Pack is ideal for a flat or small budget.

The Home Alarm system is a more complete solution for a house. The packs can be completed at any time with the following Somfy Protect accessories: indoor and outdoor sirens, motion detectors, cameras...



connects with Somfy TaHoma

works with alexa Works with IFTTT

Easily installed and managed from the "Somfy Protect" application

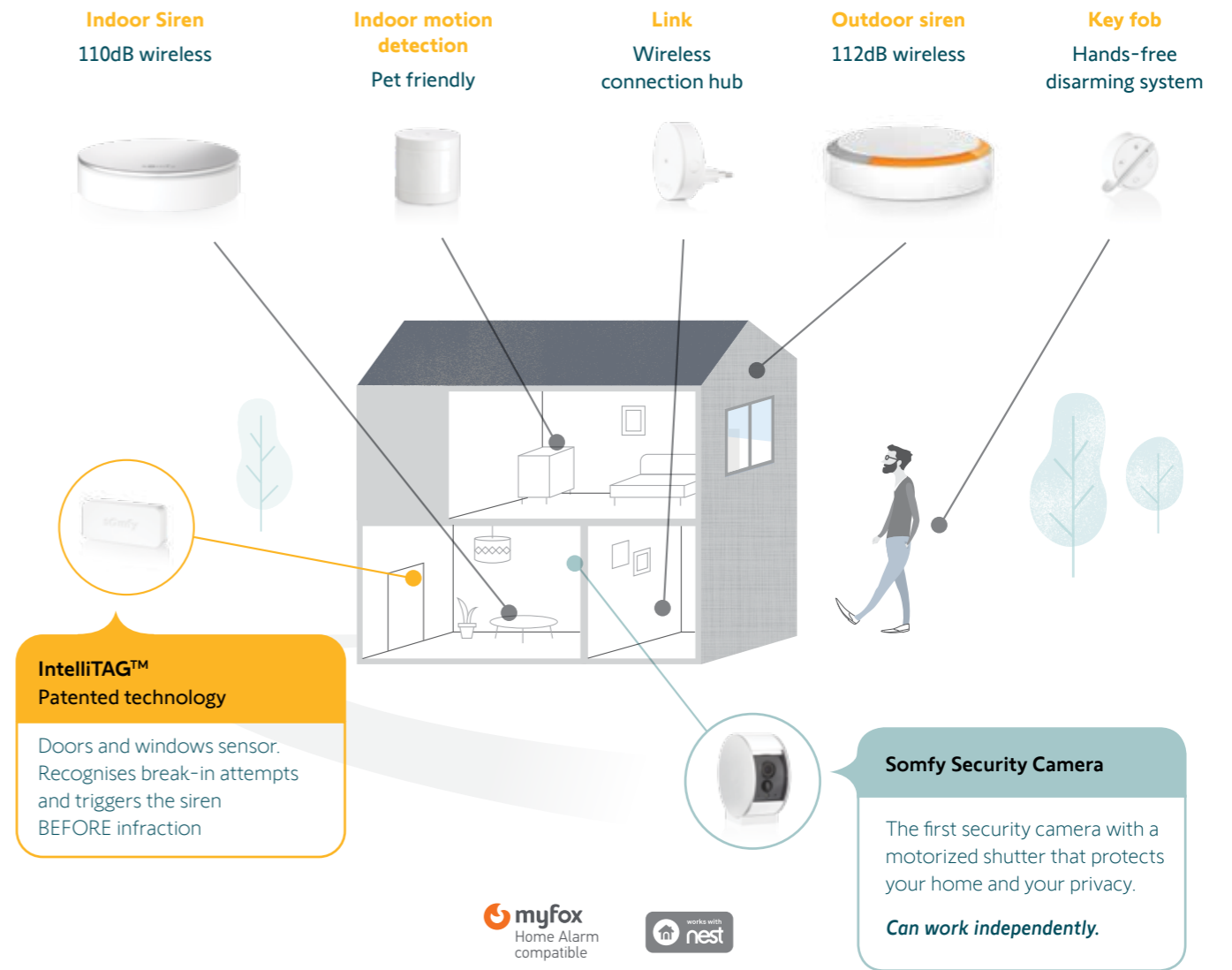
Available on the App Store and Google play

Deterrence of burglars by alerting BEFORE a break-in

Home Alarm detects burglary attempts and alerts BEFORE the intrusion thanks to the IntelliTAG® door and window sensor. This patented detector analyzes vibrations and alerts (local siren and sending notifications to smartphone) in the event of a proven break-in attempt.

A stress-free daily life

- Thanks to the hands-free deactivation key fob, the system recognizes users and automatically disarms the alarm when they return.
- The user can know at any time, from the application, who is at home and keep an eye on his house in case of absence
- The Kids function allows you to receive a notification on your smartphone when the children come home from school.



Use	Indoors
Color	White
Siren	110 db+
Application	Free. iOS12 and later versions, Android 8 and later versions
Communication radio	Proprietary protocol (2,4 GHz, e.r.p<100 mW) Radio Radio Somfy Protect (868 MHz-870 MHz, e.r.p<25 mW) + Long range communication LPWA 868MHz
Security	Detection of power cuts Back-up Battery (6h) Permanent supervision of the radio connection between the different elements of the system Radio jamming detection Encryption of all radio communications
Wi-Fi compatible	Wi-Fi 802.11 b/g/n Open/WPA/WPA2-Personal/WPA-WPA2 mixed mode (2,4 GHz, e.r.p<100 mW)
Product compatibility	"Somfy Protect" and "Myfox Home alarm" security accessories
Future expansion	Maximum association of 50 detectors (IntelliTAG® or motion detectors), 50 key fobs, 2 indoor sirens and 2 outdoor sirens, 10 video devices (Indoor camera, Outdoor camera), 10 smoke detectors and 2 radio relays.

Indoor surveillance camera

Equipped with a motorized shutter to protect the user's privacy

Stay connected to your home



- The house is protected
- The Indoor Camera allows you to keep an eye on your home at all times. With the intelligent SomfyVision infrared detector, a warning is sent to the smartphone as well as a free 30-second video available for 7 days when the slightest sign of presence is detected. Images are accessible with one click, giving a real time picture of what is happening. Works standalone. Compatible with Somfy One+ and Home Keeper, a detection triggers the sirens.
- Automatically, or with one click on a smartphone, the Indoor Cameras's mechanical shutter opens when you leave the house, and closes again when you return.
- To stay in touch with your nearest and dearest
- The free "Somfy Protect" application allows you to see, hear and talk to people in the house, in real time.

Use / Color	Indoors / White
Weight / dimensions	90 x 90 x 43 mm / 190g
Video quality	Full HD 1080p / 30 fps optimized smartphone
Angle / Zoom	130 ° diagonal-fixed focus 60cm / num. x8
Night vision	6 m / mechanical infrared filter
Motion detection	5 m / animal compatible (zoning)
Audio	Integrated speaker and microphone
Power supply	USB adapter (5V / 1,5A)
Application	Free. iOS12 and later versions, Android 8 and later versions
Operating temperature	0°C / +45°C
Recording	Free 30 second video clip stored 7 days when motion is detected Up to 30 days of continuous recording (option)
Security	Detection of power cuts Secure flow (SSL / TLS with RSA) and encrypted cloud storage (AES 256)
Compatibility	Works independently or in addition to a Somfy Protect (Somfy One+, Home Alarm, Home Alarm Advanced) or Myfox Home alarm security system. Not compatible with Protexiom. Wi-Fi 802.11 b/g/n Open/WPA/WPA2-Personal/WPA-WPA2 mixed mode (2,4 GHz, e.r.p<100 mW) - Recommended upstream speed 500 Kbps (HD)
Technology	Proprietary protocol (2,4 GHz, e.r.p<100 mW)

Outdoor Camera

A safety barrier that acts as a deterrent

Protect your home



- When an intrusion is detected, you will receive a free video of the incident and you will not miss a thing. If the incident is an intrusion, you can activate the siren from the app, if it is just a delivery person or neighbour you can hear and speak with them. In any case, you can re-watch and download the free 30-second video for up to 7 days after the event. Possibility to connect the Outdoor Camera with a lighting for deterrence.
- Suitable for any type of home
- Town houses, country properties, the Outdoor Camera is perfect for any type of home.
- Available in 2 colours (anthracite grey and white), it meets your design and electrical constraints with 3 ways of installing :
 - Connected to the power supply of an existing light
 - See, hear and talk to people in the house, in real time.

Color	White / grey
Dimensions	150 x 150 x 85 mm
Use	Outdoor
Video	Full HD 1080 p / 30 fps
Angle / Zoom	130° (diagonal) / zoom x 8
Night vision	Up to 8m / mechanical infrared filter
Motion sensor	SomfyVision advanced motion detection at up to 8m
Audio	Built-in speaker and microphone : speak and listen function
Recording	Live video Free 30-second video clips stored for 7 days in the event of motion detection Up to 30 days of continuous recording (optional)
Power Supply	10-230V, 50-60Hz, 4,8A max Protected by a 10A or 16A circuit breaker Powered by electric cables of at least 1,5mm ² Connection to an outdoor light: 500W (halogen) or 100W (led) max supported power
Application	Free app for IOS12 and later versions, Android 5 and later versions
WIFI compatible	802.11 b/g/n (2,4GHz) Open/WEP/WPA2-Personal/WPA-WPA2 mixed mode 500 Kbps (HD) or 1200 Kbps (Full HD) recommended upload speed
Security	Auto-protection in the event of an attempt to steal the camera Secure data flow (SSL/TLS 2048-bit encryption) and encrypted cloud storage (AES-256) Radio communication: Bluetooth 4.0 for installation
Operating temperature	-20°C / +50°C
Compatibility	Operates independently or supplementing the Somfy Protect security system Somfy One+ and Home Keeper

Door Keeper

Connect your door with built-in closure and intrusion sensors

The easy way to motorize the front door



Easy to install

- Somfy's connected motor is simple: no need to change your locks or door, and no need to drill or wire, since the system is battery-powered and Wi-Fi connected.

Security

- Door lock status in real time and remotely
- Notification when the door is not closed thanks to the Time of Flight (ToF) technology
- IntelliTAG technology integrated: in case of intrusion attempt, it turns on the Somfy Protect alarm and the owner gets a notification to be warned before any intrusion

Compatible with most doors

- Cylinder locks compliant with European security standards
- Multipoint locks
- For doors with or without exterior handle

Performance

- Removable and rechargeable battery: 8-hour charge, once a year
- Fast opening 3.5 s for a double turn lock and noiseless (<46 dBA on silent modal)

Choice of means of access:



Badge reader with keypad



Smartphone (Somfy Keys app)



Badge



Key



Bracelet



Dimensions	185.5 x 49.5 x 58 mm
Weight	950 g
Power supply	Lithium-Ion battery
Autonomy	1 year (8-hour charge with supplied USB-C cable)
Technology	Wi-Fi (Gateway included)
Encryption technology	AES 256 bits
Operating temperature	0°C to +50°C
Standard compliance	EN 1303 - 2006



Climate

Improve your
comfort & reduce
your **energy**
consumption

Cooling gateway range

Connect your cooling system to TaHoma

Improve your comfort & reduce your energy consumption



Usage Comfort :

Within one smartphone application control your entire home included your cooling split.



Thermal Comfort :

Thanks to the possibility to control remotely your cooling split, adjust your home interior temperature.



Savings :

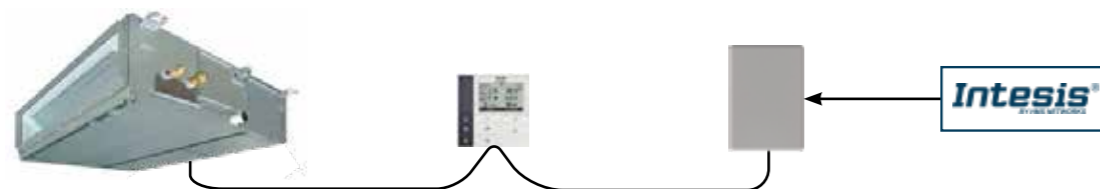
Create a weekly schedule to reduce your energy consumption or activate / deactivate your cooling if it is installed in your secondary house.



Wired connection to the main circuit board (inside the indoor unit)



Connection to the wired remote controller bus



Connected thermostat

Customized comfort

Central or room by room control



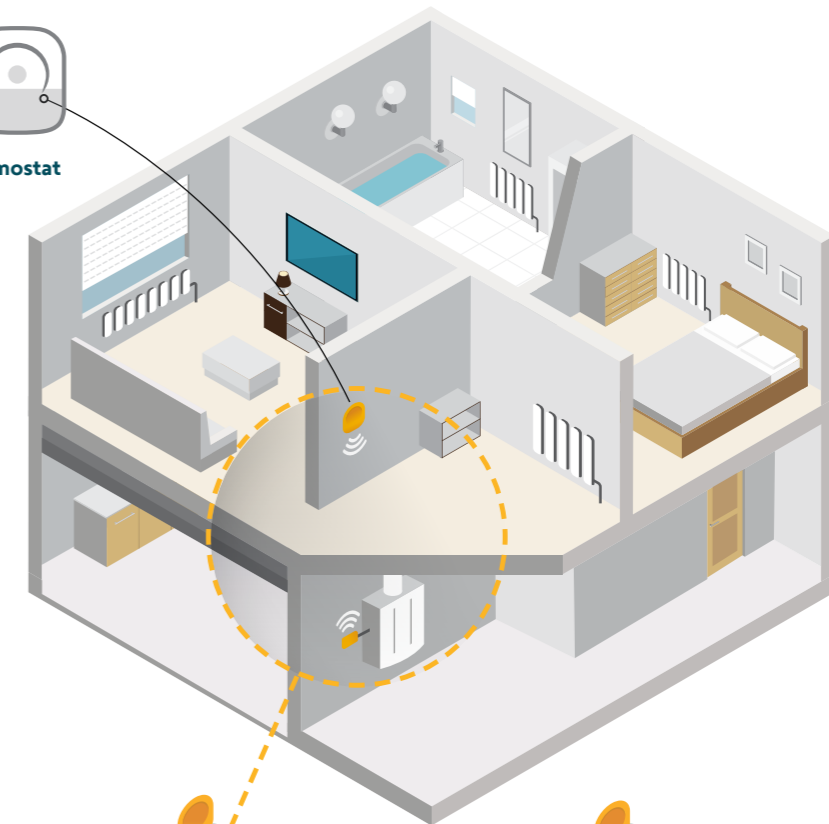
RENOVATIONS

As everyone has a different idea of what makes comfort, Somfy has come up with a connected thermostat which can be customized to suit the home and lifestyle.

And as not everyone wants to spend money unnecessarily, it also helps your customer reduce their bills!



Connected thermostat V1 or V2



2 possible types of installation



RADIO

OR



WIRED

Thermostat io

Designed for new-build projects

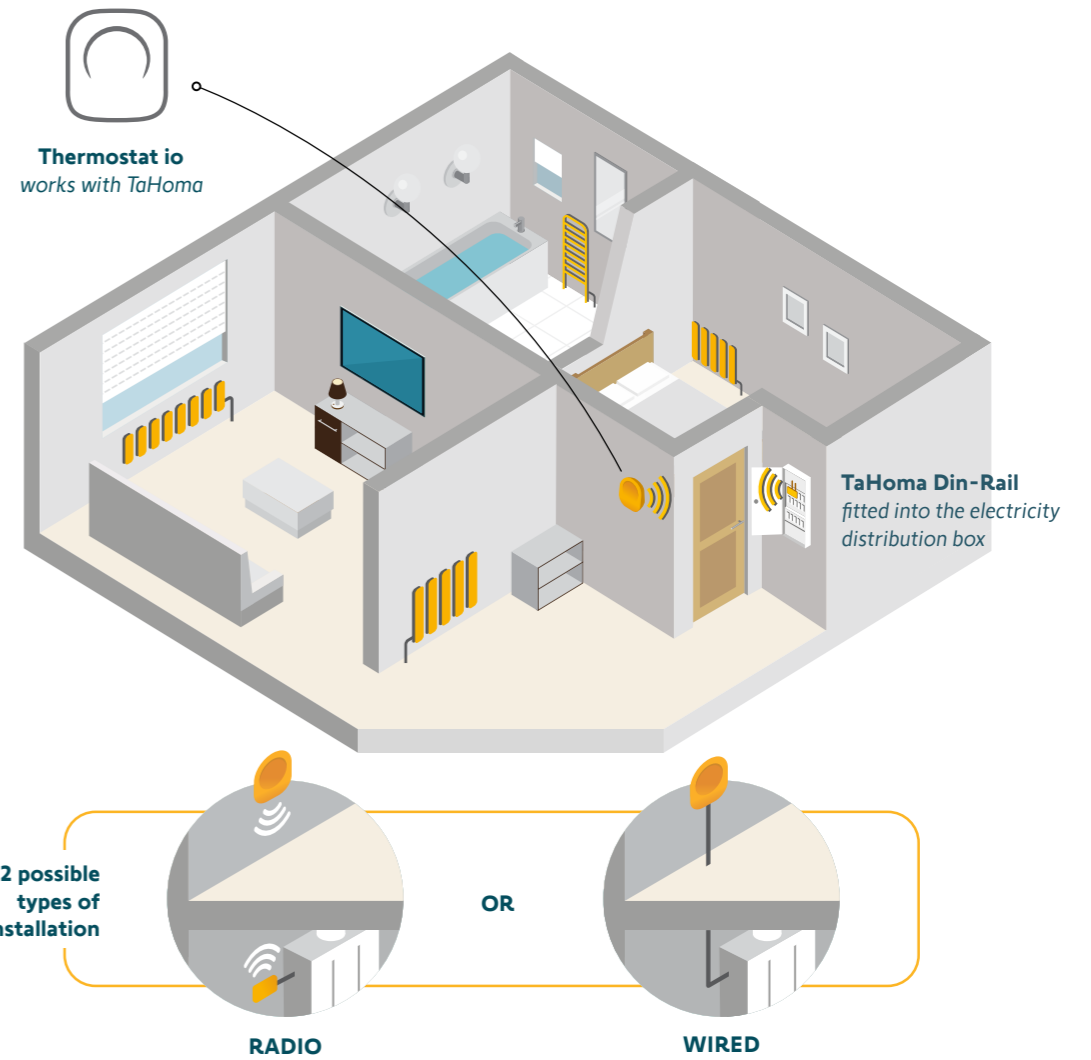
Central or room by room control



NEW-BUILDS

The Thermostat io has been developed in partnership with construction professionals.

It is designed to meet the requirements and standards of electricians, making it easier to install. Its native TaHoma compatibility ensures greater user comfort as well as endless scenario possibilities!





Controls & Automatism

Transmitters

Controls

Lighting & Plugs

Receivers

Radio Controls

Connected transmitters io



Pure Iron Natural Arctic



Situo 1 io Pure - Ref. 1 870 311 | Situo 1 io Iron - Ref. 1 870 315
Situo 1 io Natural - Ref. 1 870 319 | Situo 1 io Arctic - Ref. 1 870 323

Situo 1 io / Situo 5 io

To control 1 io application or 1 group of io applications.

To control up to 5 io applications or 5 groups of io applications.

Dimensions (WxHxD)	42 × 139 × 16 mm
Protection index	IP 30
Protection class	II
Operating voltage	3 V (battery model CR 2430)
Operating temperature	0° C to +48° C
Operating conditions	Dry living rooms
Radio frequency	868 MHz +/- 1 KHz

Situo 5 io Pure - Ref. 1 870 327 | Situo 5 io Iron - Ref. 1 870 331
Situo 5 io Natural - Ref. 1 870 335 | Situo 5 io Arctic - Ref. 1 870 339

Situo 1 / Situo 5 Variation io

To control 1 io application or 1 group of io applications.

To control up to 5 io applications or 5 groups of io applications.

With scroll wheel for tilting and dimming.

Dimensions (WxHxD)	45 × 140 × 20 mm
Protection index	IP 30
Protection class	II
Operating voltage	3 V (battery model CR 2430)
Operating temperature	0° C to +48° C
Operating conditions	Dry living rooms
Radio frequency	868 MHz



Pure Iron Pure Iron

Situo 1 Variation io Pure - Ref. 1 811 634
Situo 1 Variation io Iron - Ref. 1 811 635
Situo 5 Variation io Pure - Ref. 1 811 637
Situo 5 Variation io Iron - Ref. 1 811 636

Remote Controls RTS



Situo 1 RTS Pure - Ref. 1 800 459
Situo 1 RTS Silver - Ref. 1 800 460
Situo 1 RTS Bronze - Ref. 1 811 431
Situo 1 RTS Gold - Ref. 1 811 432
Situo 5 RTS Pure - Ref. 1 811 420
Situo 5 RTS Silver - Ref. 1 811 421
Situo 5 RTS Bronze - Ref. 1 811 435
Situo 5 RTS Gold - Ref. 1 811 436

Situo 1 RTS / Situo 5 RTS

Several versions to meet your needs:

- > 1 channel for a single blind
- > 2 channels, ideal for double curtains (sheer and blackout)
- > 5 channels for your best convenience
- > Up, Down and Stop functions.
- > Favorite position "my".
- > 4 Finishes: Pure, Silver, Rose Gold and Gold.

Dimensions (WxHxD)	42 × 135 × 14 mm
Protection index	IP 30
Protection class	II
Operating voltage	3 V (battery model CR 2430)
Operating temperature	0° C to +48° C
Operating conditions	Dry living rooms
Radio frequency	433,42 MHz

Telis 16 RTS

- > 16 channel radio remote.
- > To control 1 blind or several motorized blinds by room, by façade, by storey...by creating up to 16 groups.
- > Up, Down and Stop functions.
- > Favorite position "my".
- > 2 Finishes: Pure and Silver.



Telis 16 RTS Pure - Ref. 1 811 079
Telis 16 RTS Silver - Ref. 1 811 080

Dimensions (WxHxD)	47 × 151 × 18 mm
Protection index	IP 30
Operating temperature	0° C to +60° C
Operating conditions	Dry living rooms
Radio frequency	433,42 MHz

Smooove - Wall switch io

Intuitive multi-channel surface mounted-control for motorized interior and exterior equipments

Control many applications with one single touch

The Smooove 4 io surface-mounted wall switches. The battery-operated solution is easy to install, and doesn't require an electrician.

Perfectly fit all decoration styles.



White Part #: 9015238
Silver Matte
Black
Double Pure

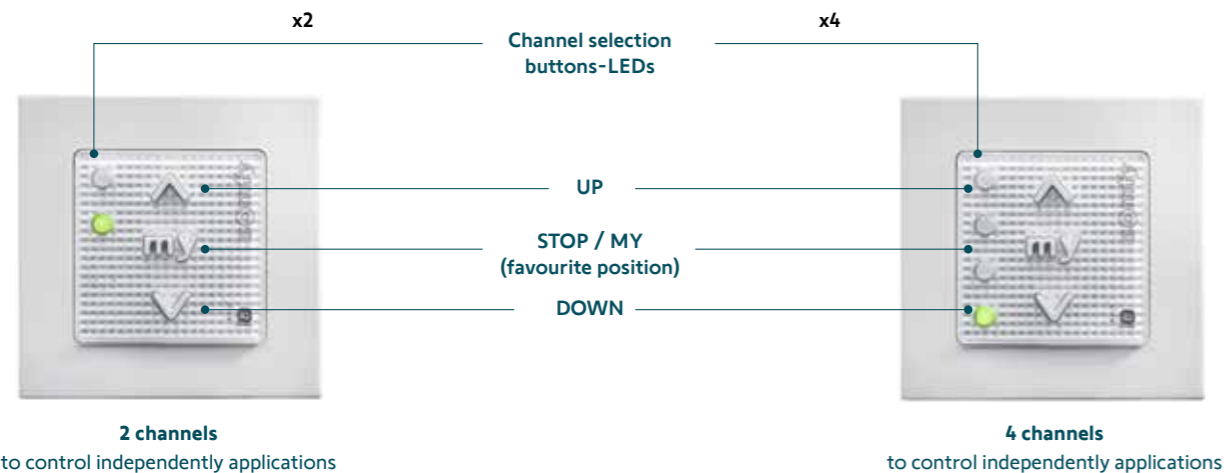
Frames sold separately.

Compatible with your interior and exterior applications



Dimensions (WxHxD)	8 x 8 x 1 (with frame) 5 x 5 x 1 (without frame)
Input	3V; 290mAh
Protection index	IP 30
Operating temperature	0°C / + 60°C
Power Consumption	CR2430 battery
Max. Range	Operates reliably at 20 feet (up to 65 feet under optimal conditions)
Frequency	868 MHz
For interior use only - CE rated - FCC Certified	

Control up to 4 io applications simultaneously



Smooove - Wall switch RTS

Intuitive multi-channel surface mounted-control for motorized interior and exterior equipments

Control many applications with one single touch

The Smooove 4 RTS surface-mounted wall switches. The battery-operated solution is easy to install, and doesn't require an electrician.

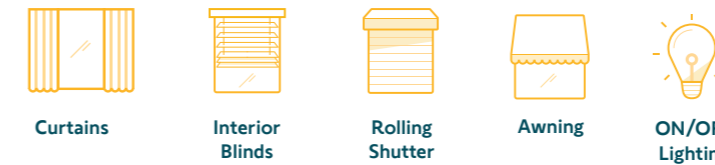
Perfectly fit all decoration styles.



White Part #: 9015022
Silver Matte Part #: 9015025
Black Part #: 9015023
Double Pure Part #: 9015238

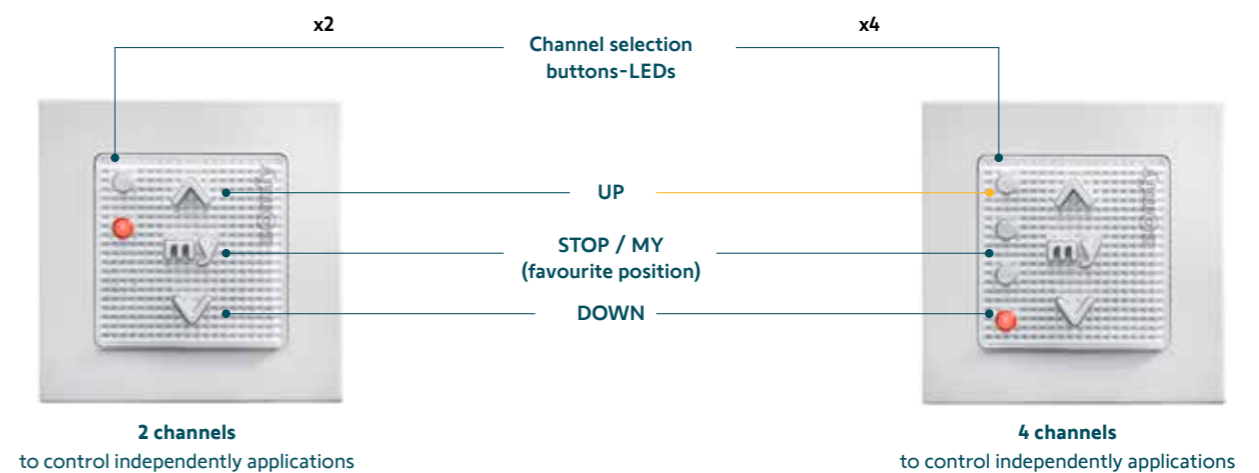
Frames sold separately.

Compatible with your interior and exterior applications



Dimensions (WxHxD)	8 x 8 x 1 (with frame) 5 x 5 x 1 (without frame)
Input	3V; 290mAh
Protection index	IP 30
Operating temperature	0°C / + 60°C
Power Consumption	CR2430 battery
Max. Range	Operates reliably at 20 feet (up to 65 feet under optimal conditions)
Frequency	433.42 Mhz
For interior use only - CE rated - FCC Certified	

Control up to 4 RTS applications simultaneously



Smoove - Wall switch RTS



Smoove 1 RTS

- 1 channel sensitive wall-mounted control unit.
- To control 1 blind or 1 group of motorized blinds.

Pure Shine - Ref. 1810881
Black Shine - Ref. 1810882
Silver Shine - Ref. 1810883

Dimensions	5x5x1 cm
Protection index	IP 30
Radio frequency	433,42 MHz
3 finishes	Pure Shine, Black Shine, Silver Shine
Supplied with wall mount & screws	

Smoove Origin RTS



Wall-mounted, mechanical, single-channel control unit.

- Up, down & stop functions.
- «my» favorite position.
- Module available in white finish.
- Frames available in 8 finishes.

Pure Shine - Ref. 1811045

Dimensions	5x5x1 cm
Protection index	IP 30
Radio frequency	433,42 MHz
Battery	3V - Number 1 - Type CR2430
Operating temperature	0°C / +60°C
1 finish	White
Supplied with wall mount & screws	

A complete range available with a wide variety of Somfy frame colors



Lacquered White Ref. 9015022



Matt Steel Ref. 9015025



Lacquered Steel Ref. 9015024



Black Matt Ref. 9015023



Light Bamboo Ref. 9015027



Dark Bamboo Ref. 9015026



Cherry Wood Ref. 9015236



Walnut Ref. 9015237

Dimensions	8x8x1 cm
Material	PVC
Wall support provided - except with Pure frame	



Smoove double-frame

- Double-frame, lacquered white finishing
- Used to group 2 modules in a double-frame for more aesthetic.



Lacquered White - Ref. 9015238

Dimensions	14.5x8x1 cm
Material	PVC
Fixation du module par clippage	

Nina io - Nina timer io

Nina io



SOMFY +
Compatibility with Smart Awning function & Sunis Wirefree II io

Radio Frequency	868,25 MHz / 868,95 MHz / 869,85 MHz
Protection Index	IP 20
Dimensions	20 x 4.5 x 2 cm

Product main functionalities

- Centralization**
Control different pieces of equipment individually, as a group or as different scenarios; Also, you can view the exact position of the equipment via the Onscreen graphics.
- Feedback Function**
The user is kept informed at all times of both correct functioning of any problems that may arise.
- Natural Control**
Set up the interface, press the screen for 2 seconds and control any piece of the equipment with a natural gesture of your arm...like magic!
- Personalized interface**
Configure to suit your house. Identify and name different rooms. Also includes dedicated icons for each one.
- Scenario function**
For example "I am leaving the house" (close the shutters and the EVB, turn off the lights and set the alarm). Program how you want to live in just a few clicks.
- Quiet mode**
Shutter is twice as quiet : slow speed of the shutter with slow pulse of the led. This only exists for action-ners which include this function.

Nina timer io



SOMFY +
NINA: Naturally Intuitive, Naturally Attractive
Compatibility with Sunis Wirefree II io

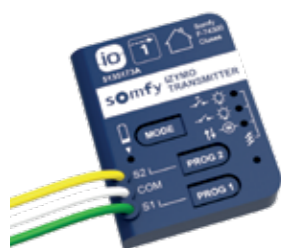
Radio Frequency	868,25 MHz / 868,95 MHz / 869,85 MHz
Protection Index	IP 20
Dimensions	20 x 4.5 x 2 cm

Product main functionalities

- Centralization**
Control different pieces of equipment individually, as a group or as different scenarios; Also, you can view the exact position of the equipment via the Onscreen graphics.
- Feedback Function**
The user is kept informed at all times of both correct functioning of any problems that may arise.
- Natural Control**
Set up the interface, press the screen for 2 seconds and control any piece of the equipment with a natural gesture of your arm...like magic!
- Personalized interface**
Configure to suit your house. Identify and name different rooms. Also includes dedicated icons for each one.
- Timer function**
To automatically control the home equipment according to a certain program and timing previously set.
- Presence simulation function**
Simulate your presence when on holidays to secure your home.
- Quiet mode**
Shutter is twice as quiet : slow speed of the shutter with slow pulse of the led. This only exists for action-ners which include this function.
- Scenario function**
For example «I am leaving the house» (close the shutters, turn off the lights and set the alarm). Programme how you want to live in just a few clicks.
- Sunset function**
Program sunset scenarios to save more energy, especially in winter.

Connected receivers io

IZYMO Transmitter io



The transmitter io enables to transform any wired push-button or rocker switch into an io control. This way, you can send orders to lightings, roller shutters and external venetian blinds. When it is connected to a push-button, it can also be used as a TaHoma scenario launcher.

Ref. 1822609 (Int.)

Power supply	CR2430 battery: 3V
Battery life	3 years
Protocol	io-homecontrol (1-way)
Dimensions	35 x 43 x 8 mm
Weight	20 g
Operating temperature	0°C to +55°C

IZYMO Shutter Receiver io



The SHUTTER receiver io enables to transform any wired shutter into a smart and connected one. It can be placed in a recessed box behind the switch or next to the wired actuator (depending on the installation).

In stand-alone usage, it can be used to centralize the shutters from only one control point.

Ref. 1822660 (Int.)

Power supply	Input: 220-240V AC (Neutral + Live) Output: 2A
Max. power	Motor up to 80Nm
Protocol	io-homecontrol (2-way)
Dimensions	43 x 43 x 18 mm
Weight	50 g
Operating temperature	0°C to +55°C
Number of io remote controls	1- way : 10 remote control devices 2- way : unlimited

IZYMO Dimmer Receiver io



The IZYMO DIMMER RECEIVER io is a radio receiver equipped with the io-homecontrol technology. It is made to transform any compatible lighting into a smart and connected one. It can be placed either behind the wall switch or next to the light source (depending on the installation).

In stand-alone usage, it can be used to add the dimming function to an already installed compatible lighting. It can also be used to add an extra switch to a light without running cables through (IZYMO transmitter io required).

Ref. 1822663

Power supply	220-240V AC 50Hz, 16A max (16A is the standard upstream electrical protection)
Max. power	220-240V dimmable LED bulb: 100W 12/24V LED or halogen spot light with dimmable electronic transformer: 100W Trailing edge dimmable LED driver for LED strip: 100W 220-240V non-dimmable LED bulb (ON/OFF functioning only): 100W Resistive load (incandescent and halogen): 150W
Protocol	io-homecontrol (2-way)
Dimensions	43 x 43 x 13 mm
Weight	50 g
Operating temperature	0°C to +55°C
Number of io remote controls	1-way: 10 remote control devices (the 11th will be refused) 2-way: unlimited

IZYMO ON-OFF Receiver io



The ON-OFF receiver io enables to transform any lighting or home equipment into a smart and connected one. To control a lighting, it can be placed behind the switch or next to the light source (depending on the installation). To control a home equipment, it can be placed behind its outlet.

In stand-alone usage, it can be used to add an extra switch wherever you want (IZYMO transmitter io required).

Ref. 1822649 (Int.)

Remote-controlled plug ON/OFF io



The ON/OFF remote-controlled plug io allows to remotely control lighting. It is managed from tahoma, connexion and any other command point io.

Maximum Lighting support

Ref. 1822617 (Int.)

Power supply	Input: 220-240V AC (Neutral + Live) Output: 230V, 10A
Max. power	Resistive/halogen load: 2000W Fluo-compact: 150W LEDs 220-240V AC: 150W Other load: 2000W
Protocol	io-homecontrol (2-way)
Dimensions	43 x 43 x 18 mm
Weight	50 g
Operating temperature	0°C to +55°C
Number of io remote controls	1- way : 10 remote control devices 2- way : unlimited

Resistive	1 500W
Incandescent	800W (3 per plug)
Fluorescent	200W (3 per plug)
LED	200W (3 per plug)

Lighting Receiver RTS



Indoor micro lighting radio receiver

The micro-receiver is used to control lighting with a remote control, without having to change the existing switch. Micro-receiver incorporating RTS radio technology

Ref. 2401161

Dimensions (WxHxD)	41 x 45 x 19 mm
Installation	wall switch box or junction box
Protection index	IP 20
Operating temperature	-20°C to +55°C
Power supply	230 V 50 Hz 16 A or 120 V 60 Hz
Max. power (W)	500 W
Radio range	30 m
Technology	RTS



Compatible as scenario launcher in Tahoma.



Keygo® io

Pocket remote control for controlling up to 4 io-homecontrol® products

- Durable and compact
- Withstands knocks and moisture
- One central button easy to locate without taking the eyes off the road
- In one click, control all your domotic system thanks to the scenario Launcher compatible with TaHoma

Technical characteristics

Number of channels	4
Radio frequency	io - 868.95 MHz - one-way
Radio range	30 m
Power supply	3 V - CR2032 battery
Battery lifetime	2 years
Size (H x l x th)	59 x 35 x 14 mm
Operating temperature	-20°C to +70°C
Index of protection	IP 40

Keygo io - Ref. 1841134

Keygo sunshield clip (optional)

Clip Keygo in a car behind the sunshield or stick it elsewhere (adhesive tape supplied)



- Bag of 10 pieces

Keygo sunshield clip - Ref. 9014991

KEYPAD 2 io PREMIUM PRO

Radio keypad for controlling up to 2 io-homecontrol® products from outside the home

- Robust metal casing
- Easy to install: no wiring and surface mounting
- 1 master code and 2 user codes (one per channel)
- From 4 to 6 digits per code
- Protection against code piracy
- Backlit and sound buttons for easy operation in the dark
- Act for Green and components in recycled plastic

Technical characteristics

Number of channels	2
Radio frequency	io - 868.95 MHz - one-way
Radio range	35 m
Power supply	3 V - CR2450 battery
Battery lifetime	4 years with 8 cycles per day
Size (H x l x th)	120 x 73 x 34 mm
Operating temperature	-20°C to +60°C
Index of protection	IP 55

Ref. 1870919



Wall switch 3 io

Wall switch io one way for controlling up to 3 io-homecontrol products

- Easy to install, no wiring and surface mounting
- Build to be use inside or outside
- Design and sized to fit into a switch installation

Technical characteristics

Number of channels	3
Radio frequency	io - 868.95 MHz - one-way
Power supply	3 V - CR2032 battery
Distance between mounting holes	55 x 55 mm
Operating temperature	-20°C to +60°C
Index of protection	IP 55

Wall switch 3 io - Ref. 1870560

KEYPAD 2 io PRO

Radio keypad for controlling up to 2 io-homecontrol® products from outside the home

- Easy to install: no wiring and surface mounting
- 1 master code and 2 user codes (one per channel)
- From 4 to 6 digits per code
- Protection against code piracy
- Backlit and sound buttons for easy operation in the dark
- Act for Green and components in recycled plastic

Technical characteristics

Number of channels	2
Radio frequency	io - 868.95 MHz - one-way
Radio range	55 m
Power supply	3 V - CR2450 battery
Battery lifetime	4 years with 8 cycles per day
Size (H x l x th)	119 x 71 x 30 mm
Operating temperature	-20°C to +60°C
Index of protection	IP 55

Ref. 1870918



RTS radio controls



Keygo® io

Pocket remote control for controlling up to 4 RTS products

- Durable and compact
- Withstands knocks and moisture
- One central button easy to locate without taking the eyes off the road

Technical characteristics

Number of channels	4
Radio frequency	RTS - 433.42 MHz
Radio range	30 m
Power supply	3 V - CR2032 battery
Battery lifetime	2 years
Size (H x l x th)	59 x 35 x 14 mm
Operating temperature	-20°C to +70°C
Index of protection	IP40

Keygo RTS - Ref. 1841064

Keygo sunshield clip (optional)

Clip Keygo in a car behind the sunshield or stick it elsewhere (adhesive tape supplied)



- Bag of 10 pieces

Keygo sunshield clip - Ref. 9014991



KEYPAD 2 RTS PRO

Radio keypad for controlling up to 2 RTS products from outside the home

- Easy to install: no wiring and surface mounting
- 1 master code and 2 user codes (one per channel)
- From 4 to 6 digits per code
- Protection against code piracy
- Backlit and sound buttons for easy operation in the dark
- Act for Green and components in recycled plastic

Technical characteristics

Number of channels	2
Radio frequency	RTS - 433.42 MHz
Radio range	110 m
Power supply	3 V - CR2450 battery
Battery lifetime	4 years with 8 cycles per day
Size (H x l x th)	119 x 71 x 30 mm
Operating temperature	-20°C to +60°C
Index of protection	IP 55

Ref. 1870917



Keytis^{NS°} 2 RTS

Pocket remote control for controlling up to 2 RTS products

Ref. 1841026

Wall switch 3 RTS

Wall switch for controlling up to 3 RTS products



Ref. 1870782

Smoove 1 RTS black shine + Silver mat Smoove frame

Wall-mounted, touch-sensitive indoor control unit for controlling one RTS product

Smoove 1 RTS black s. - Ref. 1810882

Silver mat Smoove frame - Ref. 9015025



Technical characteristics

Number of channels	2
Radio frequency	RTS - 433.42 MHz
Radio range	30 m
Power supply	3 V - CR2430 battery
Battery lifetime	2 years
Size (H x l x th)	70 x 41 x 15 mm
Operating temperature	-20°C to +60°C

Technical characteristics

Number of channels	3
Radio frequency	RTS - 433.42 MHz
Power supply	3 V - CR2032 battery
Distance between mounting holes	55 X 55 mm
Operating temperature	-20°C to +60°C
Index of protection	IP 55

Technical characteristics

Number of channels	1 Up/STOP/Down
Radio frequency	RTS - 433.42 MHz
Power supply	3 V - CR2430 battery
Frame size (H x l x th)	80 x 80 x 10 mm
Module size (H x l x th)	50 x 50 x 10 mm
Operating temperature	0°C to +60°C
Index of protection	IP 30

somfy®

Make the move

About Somfy

For more than 50 years, Somfy has been driving durable positive motion as a pioneer in window and door automation. Developed with comfort, ease of use, security and sustainability in mind, our seamless and connective solutions are designed to help people make the move to living spaces impactful or humans and impactless on nature.

A BRAND OF **SOMFY** GROUP



REGIONAL OFFICE

Ashrafieh 5585 Building, Pierre Gemayel Avenue, Palais de Justice District, P.O.Box 90 – 873 Jdeideh el Metn,
Lebanon | T +961 1 427 888 | F +961 1 427 228 | www.somfy.com | www.somfyprojects.me