



Datasheet SONESSE® 40 PA Range2

SDEV-CLU-IMPS 61R1

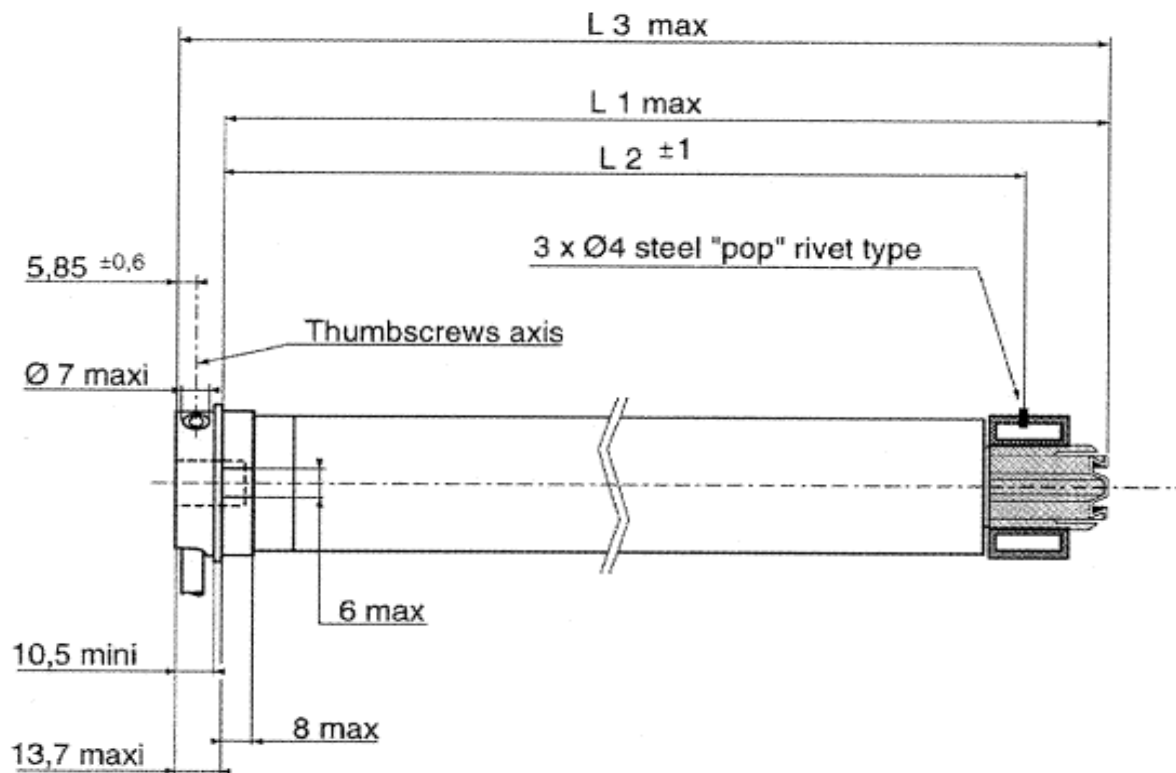
DOC101859 004

Sonesse 40 Range 2

Nominal voltage	120 V - 60 Hz
Power supply tolerances	108- 132V
Thermal time	4 minutes
Number of wires of the cable	4
Wire section	AWG 18 : 0,824 mm ²
Insulation class	Class I
Type of limit switch unit	Progressive limit switch
Capacity of the LSU	40 turns
Repeatability	± 15°
System of protection	IP44
Interface drawings	Screw implantation for LS40 mounting 147897-Wheel interface LS40 147887-Crown interface LS40 147888-LS40& Altus 40 head interface drawing 147465.
Angular free-play for venetian application	Angular free-play between the drive wheel accessory & the tube + free-play between the crown accessory & the tube, must not exceed 8°
Wheel unclipping force	≈ 7 Kg
Temperature working range	From 0°C to 60°C: 10 000 cycles (1 cycle = 1 u p/down movement of 2m height for a blind) Restriction: from 0°C to 10°C 1500 c ycles from 35°C to 60°C 3500 cycles
Noise level	Power Level (measurement between 20°C to 35°C): acc ording to standards ISO 3741 NF 31022 in dB(A) ref 1pW, worst value at nominal Torque in up direction

Designation	Nm	rpm	mm	mm	mm	mm	W	A	kg	db(A) ref 1pW
	Nominal torque	Nominal speed	L1 max.	L2 (±3 mm)	L3 max.	tube	Rated power	Rated current	Weight	Noise Power Level
404S2 Sonesse 4/36	4	36	462	441	478	406	110	0,95	1,125	42
406A2 Sonesse 6/24	6	24	494	473	510	438	120	0,95	1,25	44
409R2 Sonesse 9/14	9	14	494	473	510	438	120	0,95	1,35	40

WIRING	Neutral	White
	Direction 1	Red
	Direction 2	Black
	Earth	Green



Applicable on all types of tubes

