

Bus and Sensor Station Power Supply Somfy Digital Network



Item #: 1822440

OVERVIEW:

The **Bus and Sensor Station Power Supply** is a Somfy Digital Network™ (SDN) component that provides 80 power units to the SDN bus. A Bus Power Supply provides power to 24V devices on a single SDN Bus Segment, or can power one (1) Compact Sensor or one (1) Sensor Station on an animeo IP® sensor bus. The Bus Power Supply does not power motors. The Bus Power Supply is fault-tolerant, ensuring reliable operation should installation or wiring errors occur. Also provided is a SDN data pass-through input for in-line connection anywhere on the bus without splitters or hubs.



SOMFY DIGITAL NETWORK SYSTEM OVERVIEW:

Somfy Digital Network (SDN) is Somfy's intelligent wired shading network. An SDN system is comprised of bus distribution devices that create a network for user interfaces, motorized applications and sensors to be connected. SDN is scalable, and suitable for both small and large projects, and the same components are used whether an SDN system remains standalone, integrated into third party automation systems, or with Somfy's animeo® IP automated total solar management system.

TECHNICAL SPECIFICATIONS:

- Output: 24V DC 1.0A (provides 80 power units)
- Input: 100-240V AC 0.55A
- IEC-320 C6 AC input (cord included - 26in.)
- Operating Temperature: 14 °F to 140 °F
- Size: 3.5" L x 2.12" W x 1.3" D
- Weight: 4oz
- UL Listed
- CE Approved

FEATURES SUMMARY:

- Provides 80 power units to devices on a single SDN bus segment or can power 1 compact sensor, 1 Sensor station, or the heat function on the Sensor station.
- Fault-tolerant
- Pass-through SDN connection
- Provides a power isolation point for large installations
- Standard SDN RJ-45 Connection
- Current overload indicator

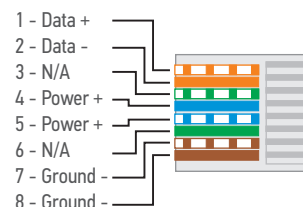
WHAT'S IN THE BOX:

- Bus and Sensor Station Power Supply
- Mounting bracket
- 26 in. Line-voltage AC power cord

CABLE PINOUTS:

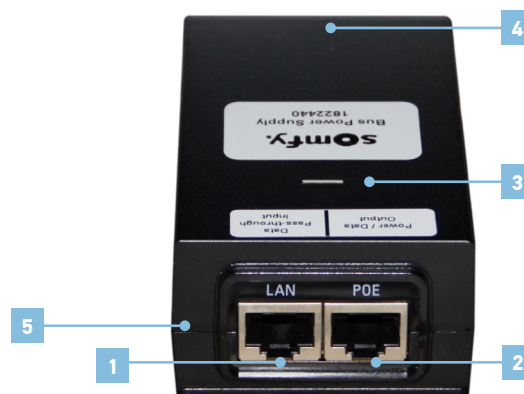
SDN Cable Pinout: (RJ45 connector)

ANSI/TIA/EIA 568-B Standard

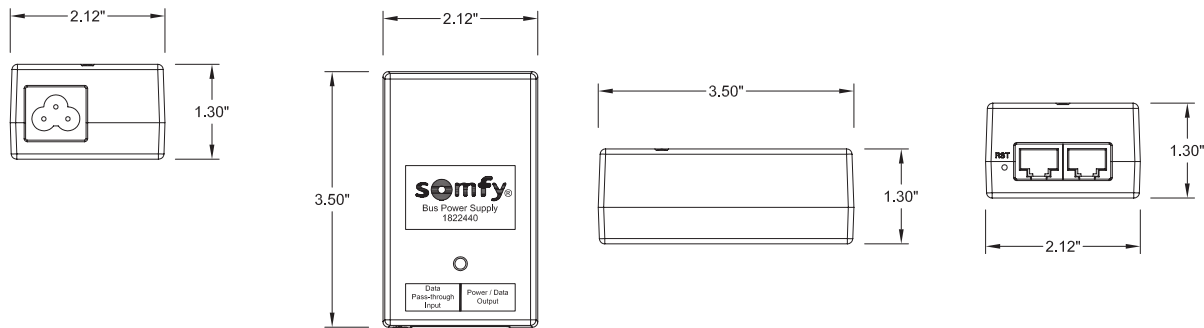


CONNECTIONS AND INDICATORS:

ELEMENT	FUNCTION
1 SDN Data Pass-through Input (RJ45)	SDN input connection for pass-through operation
2 SDN Power/Data Output (RJ45)	SDN output with pass-through data and power
3 LED Status Indicator	Blue = Powered normal operation Purple = Operating at excess of 80% capacity
4 Power Input	100-240V AC using supplied power cable
5 RST	Reset (pin-button)



DIMENSIONS:



BEST WIRING PRACTICES

- **Powering a bus with data pass-through:** Utilizing the Bus Power Supply's SDN pass-through input, an active SDN bus can be plugged into the Bus Power Supply. The incoming data will be joined with the power output from the Bus Power Supply and routed to the output port.
- **Powering a bus without data pass-through:** Directly connecting the output of the Bus Power Supply to a Data Hub (#1870262) will create a power-only connection. Use this configuration in systems where bus distribution is centralized in one location.
- **Powering animeo IP® sensors:** The Bus Power Supply can be used to power the animeo IP Compact Sensor or Sensor Station. Connection is made from the Building Controller or Sub Controller sensor bus output to the Bus Power Supply's pass-through input. Then connect Compact Sensor or Sensor Station's outdoor sensor box to Bus Power Supply SDN Power/Data output
NOTE: When powering an animeo IP sensor, one Bus Power Supply is required per Compact Sensor or Sensor Station.
- **Powering devices during configuration:** The Bus Power Supply can be used for temporary power while configuring SDN components such as Keypads and RTS Receivers. Simply connect a USB to RS485 adapter (#9015260) to the SDN data pass-through input and the device to be programmed to the SDN Power/Data output.
- **Connection Details:**
 - Standard category 5E or higher data cable
 - All data connections to power supply are standard RJ45
 - Only 1 Bus power Supply can be used on an SDN segment

The diagram shown below is meant for illustrative purposes to show the connections from product to product. This device could be used in other configurations than shown below.

