

# ThermoSunis Indoor WireFree™ RTS

Item #: 9013708



## OVERVIEW:

The **ThermoSunis Indoor WireFree™ RTS (Radio Technology Somfy®)** sun and temperature sensor provides automatic operation of motorized window coverings according to the amount of sunlight or temperature in a room. This easy-to-program sensor protects valuable furnishings, increases energy efficiency and creates a lived-in look to increase security. It is compatible with all RTS motors.



Shown with cover

## FEATURES SUMMARY:

- Automatic operation based on the temperature in a room.
- Sunlight intensity dial allows users to select a desired threshold.
- On/off selector switch allows users to turn the sensor on/off at any time.
- Battery powered, wireless solution
- Mounts to window sill or to glass with suction cup
- Thermal Comfort: optimizes room temperature levels

## TECHNICAL SPECIFICATIONS:

- Power Consumption: 3V Lithium battery, CR2430
- Material: ABS
- Dimensions: 2 3/16" Diameter x 3/4" Depth (55.5mm x 19mm)
- Maximum Range: Up to 65 ft. under optimal conditions
- Operating Temperature Range: 32° to 140° F (0° C to 60° C)
- Frequency: 433.42 Mhz
- Shipping Weight: 1 lb.

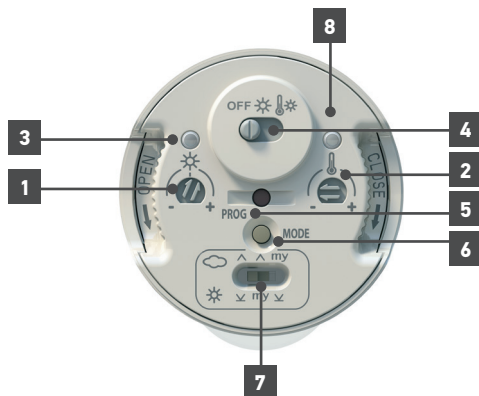
## WHAT'S IN THE BOX:

- ThermoSunis Indoor WireFree™ RTS with battery
- Suction cup (mounts to window sill or glass)
- Instructions

## OPTIONAL ACCESSORIES:

- Replacement Battery 3V CR2430 #9012091

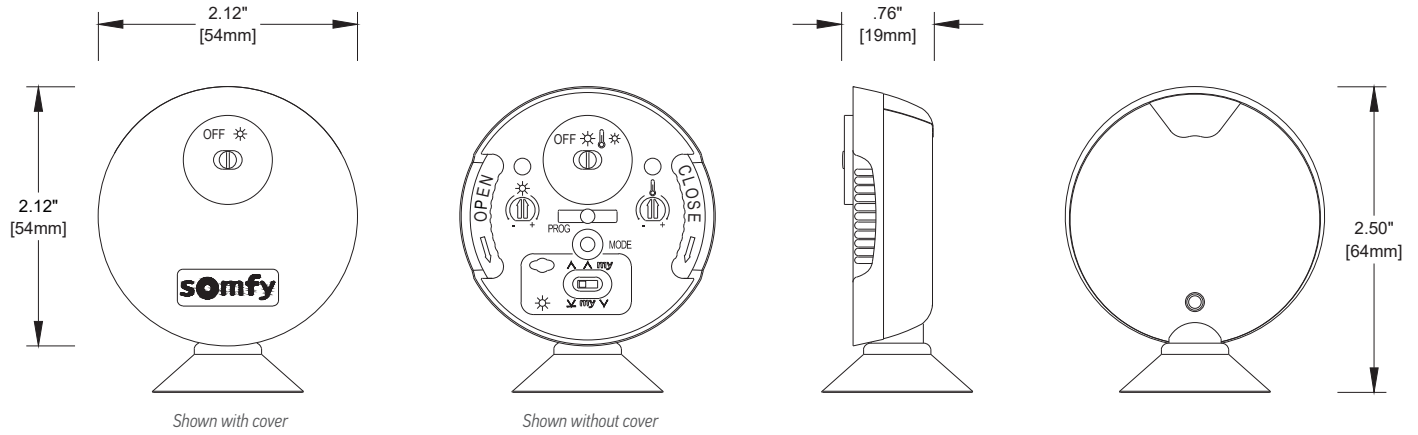
## CONNECTIONS AND INDICATORS:



Shown without cover

ELEMENT	FUNCTION
1 <b>Sun Sensitivity Dial</b>	Set sun sensitivity threshold as desired
2 <b>Temperature Sensitivity Dial</b>	Set temperature sensitivity threshold as desired
3 <b>Sun LED Indicator</b>	Sun sensitivity setting indicator
4 <b>On/Off &amp; Sun/Temperature Selector</b>	Select desired settings (sunlight only, sunlight & temperature, or off)
5 <b>RTS Programming Button</b>	Used to pair to motor
6 <b>Operating Mode Button</b>	Used to put unit in demo mode
7 <b>Function Selector Switch</b>	Set preferred RTS commands based on defined settings
8 <b>Temperature LED Indicator</b>	Temperature sensitivity setting indicator

## DIMENSIONS:



## BEST WIRING PRACTICES

The diagram shown below is meant for illustrative purposes to show the connections from product to product. This device could be used in other configurations than shown below. For specification information on individual products, see related product information.

Please ensure that the limits on the motor have been set and tested.

