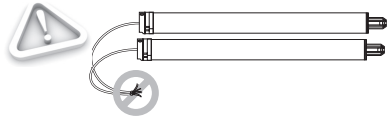


## WIRING RECOMMENDATIONS

The Sonesse 40 WT is an AC motor and requires a 230Vac supply feed across the neutral and one direction at a time to raise and lower a roller blind.

### PARALLEL WIRING



Wiring multiple Sonesse 40 WT's in parallel will result in damage to the motor.

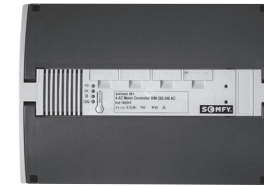
For group motor control, an appropriate control unit (such as a relay, designed for use with tubular motors, which isolates each motor connection) must be used to prevent this and ensure correct operation.

### ANIMEO CONTROL UNIT

The Animeo control unit provides individual and/or group control for up to 4 Sonesse 40 WT motors. Multiple Animeo controllers can be linked together to provide control of larger motorised blinds groups. The Animeo motor controllers are available as a wall or din rail mount unit. Both units are switched by dry contact closure signals, which can be configured to provide:

- Group control of all 4 motors
- Group and individual control of the 4 motors
- Group splitting for control of 3 @ 1 or 2 @ 2
- A RTS card can also be added to provide radio control

### INFORMATION



Animeo 4AC MoCo  
Wall mount version  
**Ref 1860049**  
Dimensions – 255 x 180 x 63 mm

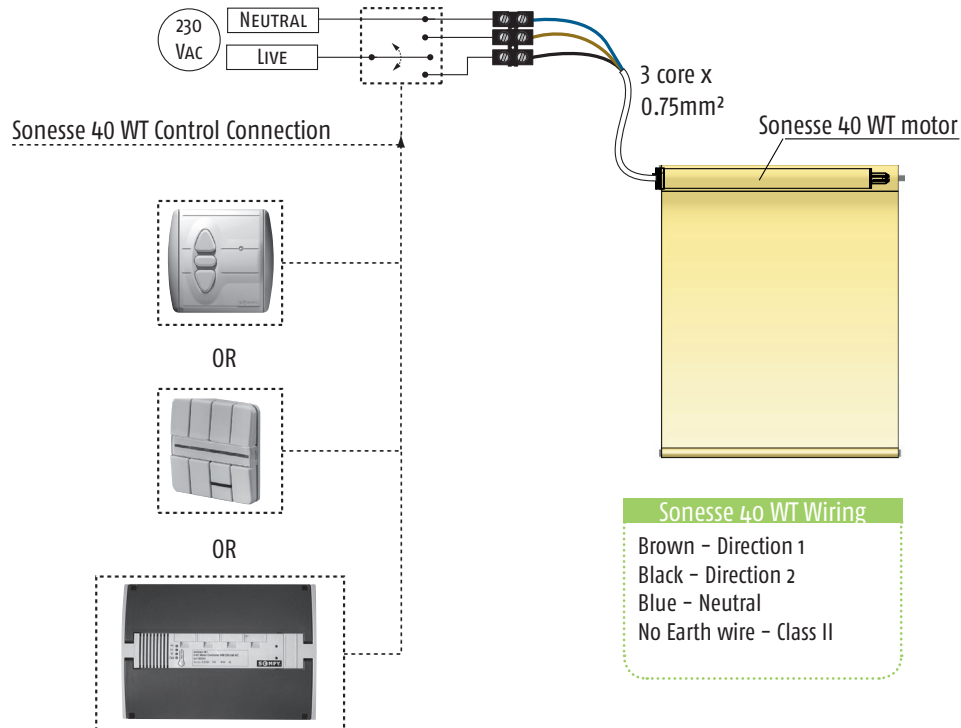


Animeo 4AC MoCo  
RTS Card  
**Ref 1860105**



Animeo 4AC MoCo  
Din rail mount version  
**Ref 1860081**  
Dimensions – 210 x 90 x 61 mm

## WIRING



### Sonesse 40 WT Wiring

- Brown – Direction 1
- Black – Direction 2
- Blue – Neutral
- No Earth wire – Class II

## SONESSE 40 WT CONTROL SCENARIO

Scenario based on 4 Sonesse 40 WT motors controlled by a home automation device.

